



Chipsmall Limited consists of a professional team with an average of over 10 year of expertise in the distribution of electronic components. Based in Hongkong, we have already established firm and mutual-benefit business relationships with customers from,Europe,America and south Asia,supplying obsolete and hard-to-find components to meet their specific needs.

With the principle of “Quality Parts,Customers Priority,Honest Operation,and Considerate Service”,our business mainly focus on the distribution of electronic components. Line cards we deal with include Microchip,ALPS,ROHM,Xilinx,Pulse,ON,Everlight and Freescale. Main products comprise IC,Modules,Potentiometer,IC Socket,Relay,Connector.Our parts cover such applications as commercial,industrial, and automotives areas.

We are looking forward to setting up business relationship with you and hope to provide you with the best service and solution. Let us make a better world for our industry!



Contact us

Tel: +86-755-8981 8866 Fax: +86-755-8427 6832

Email & Skype: info@chipsmall.com Web: www.chipsmall.com

Address: A1208, Overseas Decoration Building, #122 Zhenhua RD., Futian, Shenzhen, China



Chip Ferrite Bead BLM18□□□□□Z1D Murata Standard Reference Specification[AEC-Q200]

1.Scope

This reference specification applies to Chip Ferrite Bead BLM18_□Z Series for Automotive Electronics based on AEC-Q200 except for Power train and Safety.

2.Part Numbering

(ex.) $\frac{BL}{(1)}$ $\frac{M}{(2)}$ $\frac{18}{(3)}$ $\frac{AG}{(4)}$ $\frac{121}{(5)}$ $\frac{S}{(6)}$ $\frac{Z}{(7)}$ $\frac{1}{(8)}$ $\frac{D}{(9)}$

(1)Product ID (2)Type (3)Dimension (L×W) (4)Characteristics (5)Typical Impedance at 100MHz (6)Performance (7)Category(for Automotive Electronics) (8)Numbers of Circuit (9)Packaging (D:Taping)

3.Rating

| Customer Part Number | MURATA Part Number | Impedance (Ω) (at 100MHz)(*1) (refer to below comment) | | Rated Current (mA) | | DC Resistance (Ω max.) (*1) (refer to below comment) | | ESD Rank 2:2kV |
|----------------------|--------------------|--|---------|--------------------|----------------|---|-------|----------------|
| | | Typical | at 85°C | at 125°C | Initial Values | Values After Testing | | |
| | BLM18PG300SZ1D | 20 min. | 30 | 1000 | | 0.05 | 0.10 | 2 |
| | BLM18PG330SZ1D | 33±25% | 33 | 3000*2 | 1000*2 | 0.025 | 0.050 | |
| | BLM18PG600SZ1D | 40 min. | 60 | 1000 | | 0.1 | 0.2 | |
| | BLM18PG121SZ1D | 120±25% | 120 | 2000*2 | 1000*2 | 0.05 | 0.10 | |
| | BLM18PG181SZ1D | 180±25% | 180 | 1500*2 | 1000*2 | 0.09 | 0.18 | |
| | BLM18PG221SZ1D | 220±25% | 220 | 1400*2 | 1000*2 | 0.10 | 0.14 | |
| | BLM18PG331SZ1D | 330±25% | 330 | 1200*2 | 1000*2 | 0.15 | 0.20 | |
| | BLM18PG471SZ1D | 470±25% | 470 | 1000 | | 0.20 | 0.26 | |
| | BLM18KG221SZ1D | 220±25% | 220 | 2200*2 | 1500*2 | 0.050 | 0.060 | |
| | BLM18KG331SZ1D | 330±25% | 330 | 1700*2 | 1200*2 | 0.080 | 0.095 | |
| | BLM18KG471SZ1D | 470±25% | 470 | 1500*2 | 1000*2 | 0.130 | 0.145 | |
| | BLM18KG601SZ1D | 600±25% | 600 | 1300*2 | 1000*2 | 0.150 | 0.165 | |
| | BLM18AG121SZ1D | 120±25% | 120 | 800 | | 0.18 | 0.28 | |
| | BLM18AG151SZ1D | 150±25% | 150 | 700 | | 0.25 | 0.35 | |
| | BLM18AG221SZ1D | 220±25% | 220 | 700 | | 0.25 | 0.35 | |
| | BLM18AG331SZ1D | 330±25% | 330 | 600 | | 0.30 | 0.40 | |
| | BLM18AG471SZ1D | 470±25% | 470 | 550 | | 0.35 | 0.45 | |
| | BLM18AG601SZ1D | 600±25% | 600 | 500 | | 0.38 | 0.48 | |
| | BLM18AG102SZ1D | 1000±25% | 1000 | 450 | | 0.50 | 0.60 | |
| | BLM18BB050SZ1D | 5±25% | 5 | 800 | | 0.05 | 0.10 | |
| | BLM18BA050SZ1D | 5±25% | 5 | 500 | | 0.2 | 0.3 | |
| | BLM18BB100SZ1D | 10±25% | 10 | 700 | | 0.10 | 0.20 | |
| | BLM18BA100SZ1D | 10±25% | 10 | 500 | | 0.25 | 0.35 | |
| | BLM18BB220SZ1D | 22±25% | 22 | 700 | | 0.20 | 0.30 | |
| | BLM18BA220SZ1D | 22±25% | 22 | 500 | | 0.35 | 0.45 | |
| | BLM18BB470SZ1D | 47±25% | 47 | 600 | | 0.25 | 0.35 | |
| | BLM18BD470SZ1D | 47±25% | 47 | 500 | | 0.3 | 0.4 | |
| | BLM18BA470SZ1D | 47±25% | 47 | 300 | | 0.55 | 0.65 | |
| | BLM18BB600SZ1D | 60±25% | 60 | 600 | | 0.25 | 0.35 | |
| | BLM18BA750SZ1D | 75±25% | 75 | 300 | | 0.70 | 0.80 | |
| | BLM18BB750SZ1D | 75±25% | 75 | 600 | | 0.30 | 0.40 | |
| | BLM18BB121SZ1D | 120±25% | 120 | 550 | | 0.30 | 0.40 | |

| Customer Part Number | MURATA Part Number | Impedance (Ω) (at 100MHz)(*1) (refer to below comment) | Rated Current (mA) | | DC Resistance (Ω max.) (*1) (refer to below comment) | | ESD Rank 2:2kV | |
|----------------------|--------------------|---|--------------------|---------|---|----------------|-------------------|----------------------|
| | | | Typical | at 85°C | at 125°C | Initial Values | | Values After Testing |
| | BLM18BD121SZ1D | 120±25% | 120 | 300 | 0.4 | 0.5 | 2 | |
| | BLM18BA121SZ1D | 120±25% | 120 | 200 | 0.9 | 1.0 | | |
| | BLM18BB141SZ1D | 140±25% | 140 | 500 | 0.35 | 0.45 | | |
| | BLM18BB151SZ1D | 150±25% | 150 | 450 | 0.37 | 0.47 | | |
| | BLM18BD151SZ1D | 150±25% | 150 | 300 | 0.4 | 0.5 | | |
| | BLM18BB221SZ1D | 220±25% | 220 | 450 | 0.45 | 0.55 | | |
| | BLM18BD221SZ1D | 220±25% | 220 | 250 | 0.45 | 0.55 | | |
| | BLM18BB331SZ1D | 330±25% | 330 | 400 | 0.58 | 0.68 | | |
| | BLM18BD331SZ1D | 330±25% | 330 | 250 | 0.5 | 0.6 | | |
| | BLM18BD421SZ1D | 420±25% | 420 | 250 | 0.55 | 0.65 | | |
| | BLM18BB471SZ1D | 470±25% | 470 | 300 | 0.85 | 0.95 | | |
| | BLM18BD471SZ1D | 470±25% | 470 | 250 | 0.55 | 0.65 | | |
| | BLM18BD601SZ1D | 600±25% | 600 | 200 | 0.65 | 0.75 | | |
| | BLM18BD102SZ1D | 1000±25% | 1000 | 200 | 0.85 | 0.95 | | |
| | BLM18BD152SZ1D | 1500±25% | 1500 | 150 | 1.2 | 1.3 | | |
| | BLM18BD182SZ1D | 1800±25% | 1800 | 150 | 1.5 | 1.6 | | |
| | BLM18BD222SZ1D | 2200±25% | 2200 | 150 | 1.5 | 1.6 | | |
| | BLM18BD252SZ1D | 2500±25% | 2500 | 150 | 1.5 | 1.6 | | |
| | BLM18SG260TZ1D | 26±25% | 26 | 6000*2 | 1000*2 | 0.007 | | 0.012 |
| | BLM18SG700TZ1D | 70±25% | 70 | 4000*2 | 1000*2 | 0.020 | | 0.030 |
| | BLM18SG121TZ1D | 120±25% | 120 | 3000*2 | 1000*2 | 0.025 | | 0.035 |
| | BLM18SG221TZ1D | 220±25% | 220 | 2500*2 | 1000*2 | 0.040 | | 0.055 |
| | BLM18SG331TZ1D | 330±25% | 330 | 1500*2 | 1000*2 | 0.070 | | 0.085 |
| | BLM18SN220TZ1D | 22±7% | 22 | 8000*2 | 5000*2 | 0.004 | | 0.005 |
| | BLM18KG260TZ1D | 26±25% | 26 | 6000*2 | 4000*2 | 0.007 | | 0.012 |
| | BLM18KG300TZ1D | 30±25% | 30 | 5000*2 | 3300*2 | 0.010 | 0.015 | |
| | BLM18KG700TZ1D | 70±25% | 70 | 3500*2 | 2200*2 | 0.022 | 0.032 | |
| | BLM18KG101TZ1D | 100±25% | 100 | 3000*2 | 1900*2 | 0.030 | 0.040 | |
| | BLM18KG121TZ1D | 120±25% | 120 | 3000*2 | 1900*2 | 0.030 | 0.040 | |

• Operating Temperature : -55°C to +125°C

• Storage Temperature : -55°C to +125°C

(*1)

Standard Testing Conditions

< Unless otherwise specified >

Temperature : Ordinary Temp. (15 °C to 35 °C)

Humidity : Ordinary Humidity (25%(RH) to 85%(RH))

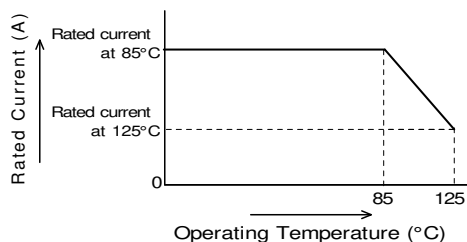
< In case of doubt >

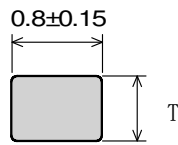
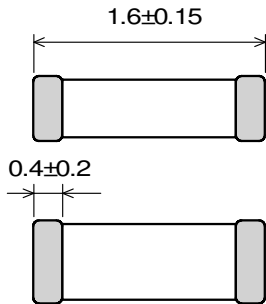
Temperature : 20°C±2 °C

Humidity : 60%(RH) to 70%(RH)

Atmospheric pressure : 86kPa to 106kPa

(*2) In case of Rated current is more than 1A,
Rated Current is derated as right figure
depending on the operating temperature.



4.Style and Dimensions

■ : Electrode

(in mm)

| T | Part Number | Thickness (mm) |
|---|----------------|----------------|
| | BLM18SG***TZ1D | 0.5±0.15mm |
| | BLM18KG***TZ1D | 0.6±0.15mm |
| | BLM18SN***TZ1D | 0.6±0.15mm |
| | BLM18****SZ1D | 0.8±0.15mm |

■ Equivalent Circuit



(Resistance element becomes dominant at high frequencies.)

■ Unit Mass (Typical value)

| | |
|---------------|--------|
| BLM18****TZ1D | 0.004g |
| BLM18****SZ1D | 0.005g |

5.Marking

No marking.

6.Specifications**6-1.Electrical Performance**

| No. | Item | Specification | Test Method |
|-------|---------------|---------------|---|
| 6-1-1 | Impedance | Meet item 3. | Measuring Frequency : 100MHz±1MHz Measuring Equipment : Agilent 4291A or the equivalent Test Fixture : Agilent 16192A or the equivalent |
| 6-1-2 | DC Resistance | Meet item 3. | Measuring Equipment : Digital multi meter For BLM18SN Measuring Equipment : YOKOGAWA 755611 or the equivalent Test Fixture : Agilent 16044A or the equivalent * Except resistance of the Substrate and Wire |

Reference Only

6-2. Mechanical Performance(based on Table 13 for FILTER EMI SUPPRESSORS/FILTERS)
AEC-Q200 Rev.D issued June. 1 2010

| AEC-Q200 | | | Murata Specification / Deviation | | | | | | |
|------------------------------|---|--|---|------------|-----------|------------------------------|---|---------------|--------------|
| No. | Stress | Test Method | | | | | | | |
| 3 | High Temperature Exposure | 1000hours at 125 deg C Set for 24hours at room temperature, then measured. | Meet Table A after testing. <u>Table A</u> <table border="1" style="width: 100%; border-collapse: collapse;"> <tr> <td style="width: 50%;">Appearance</td> <td>No damage</td> </tr> <tr> <td>Impedance Change (at 100MHz)</td> <td>Within $\pm 30\%$ (for BLM18SN Within $\pm 50\%$)</td> </tr> <tr> <td>DC Resistance</td> <td>Meet item 3.</td> </tr> </table> | Appearance | No damage | Impedance Change (at 100MHz) | Within $\pm 30\%$ (for BLM18SN Within $\pm 50\%$) | DC Resistance | Meet item 3. |
| Appearance | No damage | | | | | | | | |
| Impedance Change (at 100MHz) | Within $\pm 30\%$ (for BLM18SN Within $\pm 50\%$) | | | | | | | | |
| DC Resistance | Meet item 3. | | | | | | | | |
| 4 | Temperature Cycling | 1000cycles -55 deg C to +125 deg C Set for 24hours at room temperature, then measured. | Meet Table B after testing. <u>Table B</u> <table border="1" style="width: 100%; border-collapse: collapse;"> <tr> <td style="width: 50%;">Appearance</td> <td>No damage</td> </tr> <tr> <td>Impedance Change (at 100MHz)</td> <td>Within $\pm 30\%$ (for BLM18SN Within $\pm 50\%$) (for BLM18KG Within-10%to+50%)</td> </tr> <tr> <td>DC Resistance</td> <td>Meet item 3.</td> </tr> </table> | Appearance | No damage | Impedance Change (at 100MHz) | Within $\pm 30\%$ (for BLM18SN Within $\pm 50\%$) (for BLM18KG Within-10%to+50%) | DC Resistance | Meet item 3. |
| Appearance | No damage | | | | | | | | |
| Impedance Change (at 100MHz) | Within $\pm 30\%$ (for BLM18SN Within $\pm 50\%$) (for BLM18KG Within-10%to+50%) | | | | | | | | |
| DC Resistance | Meet item 3. | | | | | | | | |
| 5 | Destructive Physical Analysis | Per EIA469 No electrical tests | No defects | | | | | | |
| 7 | Biased Humidity | 1000hours at 85 deg C, 85%RH Apply max rated current. | Meet Table C after testing. <u>Table C</u> <table border="1" style="width: 100%; border-collapse: collapse;"> <tr> <td style="width: 50%;">Appearance</td> <td>No damage</td> </tr> <tr> <td>Impedance Change (at 100MHz)</td> <td>Within $\pm 30\%$ (for BLM18KG/SN Within $\pm 50\%$)</td> </tr> <tr> <td>DC Resistance</td> <td>Meet item 3.</td> </tr> </table> | Appearance | No damage | Impedance Change (at 100MHz) | Within $\pm 30\%$ (for BLM18KG/SN Within $\pm 50\%$) | DC Resistance | Meet item 3. |
| Appearance | No damage | | | | | | | | |
| Impedance Change (at 100MHz) | Within $\pm 30\%$ (for BLM18KG/SN Within $\pm 50\%$) | | | | | | | | |
| DC Resistance | Meet item 3. | | | | | | | | |
| 8 | Operational Life | Apply 125 deg C 1000hours Set for 24hours at room temperature, then measured | Meet Table C after testing. If the rated current of parts exceed 1A, the operating temperature should be 85 deg C. | | | | | | |
| 9 | External Visual | Visual inspection | No abnormalities | | | | | | |
| 10 | Physical Dimension | Meet ITEM 4 (Style and Dimensions) | No defects | | | | | | |
| 12 | Resistance to Solvents | Per MIL-STD-202 Method 215 | Not Applicable | | | | | | |
| 13 | Mechanical Shock | Per MIL-STD-202 Method 213 Condition F 1500g's (14.7N)/0.5ms/ Half sine | Meet Table D after testing. <u>Table D</u> <table border="1" style="width: 100%; border-collapse: collapse;"> <tr> <td style="width: 50%;">Appearance</td> <td>No damage</td> </tr> <tr> <td>Impedance Change (at 100MHz)</td> <td>Within $\pm 30\%$</td> </tr> <tr> <td>DC Resistance</td> <td>Meet item 3.</td> </tr> </table> | Appearance | No damage | Impedance Change (at 100MHz) | Within $\pm 30\%$ | DC Resistance | Meet item 3. |
| Appearance | No damage | | | | | | | | |
| Impedance Change (at 100MHz) | Within $\pm 30\%$ | | | | | | | | |
| DC Resistance | Meet item 3. | | | | | | | | |
| 14 | Vibration | 5g's(0.049N) for 20 minutes, 12cycles each of 3 orientations Test from 10-2000Hz. | Meet Table D after testing. | | | | | | |
| 15 | Resistance to Soldering Heat | Solder temperature 260C+/-5 deg C Immersion time 10s | Pre-heating:150C +/-10 deg,60s to 90s Meet Table C after testing. | | | | | | |

Reference Only

| AEC-Q200 | | | Murata Specification / Deviation |
|----------|---------------------------------|--|---|
| No | Stress | Test Method | |
| 17 | ESD | Per AEC-Q200-002 | Meet Table D after testing. ESD Rank: Meet Item 3. (Rating) |
| 18 | Solderability | Per J-STD-002 | Method b : Not Applicable 95% of the terminations is to be soldered. |
| 19 | Electrical Characterization | Measured : Impedance | No defects |
| 20 | Flammability | Per UL-94 | Not Applicable |
| 21 | Board Flex | Epoxy-PCB(1.6mm) Deflection 2mm(min) 60s minimum holding tim | Meet Table C after testing. |
| 22 | Terminal Strength | Per AEC-Q200-006 | No defects |
| 30 | Electrical Transient Conduction | Per ISO-7637-2 | Not Applicable |

7.Specification of Packaging

7-1.Appearance and Dimensions (8mm-wide paper tape)

| Part Number | Type | Appearance and Dimensions | | | | | | | |
|--|--------------------------------------|---|------|---------------|---------------|----------|----------------|-----------|----------------|
| BLM18PG***SZ1D BLM18AG***SZ1D BLM18B***SZ1D BLM18SN***TZ1D BLM18KG***Z1D | 8mm- wide Paper tape 4mm-pitch | <table border="1" style="margin-left: auto; margin-right: auto;"> <thead> <tr> <th>Item</th> <th>Dimension "a"</th> </tr> </thead> <tbody> <tr> <td>BLM18****SZ1D</td> <td>1.1 max.</td> </tr> <tr> <td>BLM18KG***TZ1D</td> <td rowspan="2">0.85 max.</td> </tr> <tr> <td>BLM18SN***TZ1D</td> </tr> </tbody> </table> | Item | Dimension "a" | BLM18****SZ1D | 1.1 max. | BLM18KG***TZ1D | 0.85 max. | BLM18SN***TZ1D |
| Item | Dimension "a" | | | | | | | | |
| BLM18****SZ1D | 1.1 max. | | | | | | | | |
| BLM18KG***TZ1D | 0.85 max. | | | | | | | | |
| BLM18SN***TZ1D | | | | | | | | | |
| BLM18SG***TZ1D | 8mm- wide Paper tape 2mm-pitch | | | | | | | | |

(1) Taping

Products shall be packaged in the cavity of the base tape of 8mm-wide, 4mm-pitch continuously and sealed by top tape and bottom tape.

(2) The sprocket holes are to the right as the tape is pulled toward the user.

(3) Spliced point: The base tape and top tape have no spliced point

(4) Cavity: There shall not be burr in the cavity.

(5) Missing components number

Missing components number within 0.1% of the number per reel or 1 pc., whichever is greater, and are not continuous. The specified quantity per reel is kept.

7-2. Tape Strength

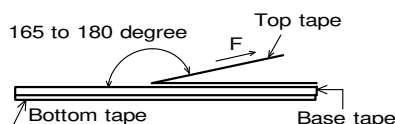
(1) Pull Strength

| | |
|-------------|---------|
| Top tape | 5N min. |
| Bottom tape | |

(2) Peeling off force of Top tape

0.1N to 0.6N (Minimum value is typical.)

*Speed of Peeling off: 300mm/min



7-3. Taping Condition

(1) Standard quantity per reel

Quantity per 180mm reel: 4000 pcs. / reel

(2) There shall be leader-tape (top tape and empty tape) and trailer-tape (empty tape) as follows.

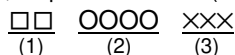
(3) On paper tape, the top tape and the base tape shall not be adhered at the tip of the empty leader tape for more than 5 pitch.

(4) Marking for reel

The following items shall be marked on a label and the label is stuck on the reel.

(Customer part number, MURATA part number, Inspection number(*1), RoHS marking(*2), Quantity, etc)

*1) « Expression of Inspection No. »



(1) Factory Code

(2) Date

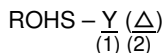
First digit : Year/ Last digit of year

Second digit : Month / Jan. to Sep. → 1 to 9, Oct. to Dec. → O, N, D

Third, Fourth digit : Day

(3) Serial No.

*2) « Expression of RoHS marking »



(1) RoHS regulation conformity parts.

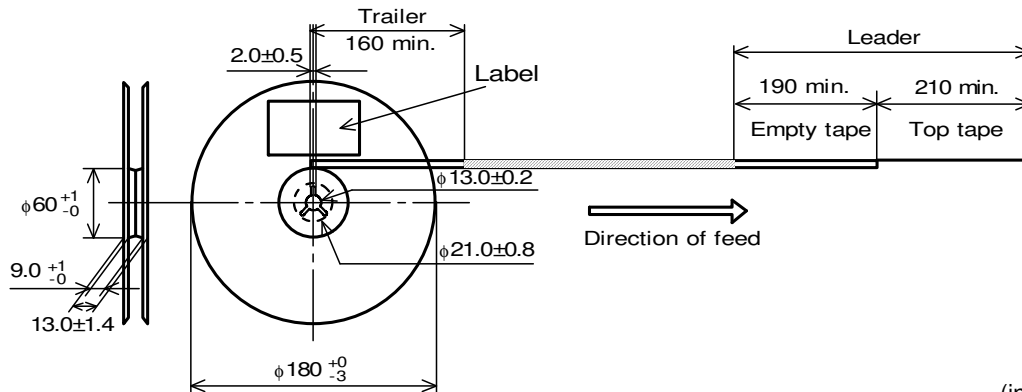
(2) MURATA classification number

(5) Outside package

These reels shall be packed in the corrugated cardboard package and the following items shall be marked on a label and the label is stuck on the box.

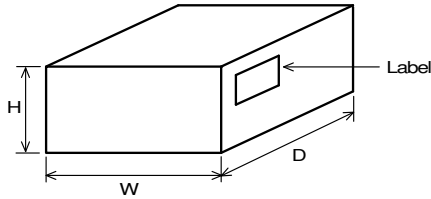
(Customer name, Purchasing order number, Customer part number, MURATA part number, RoHS discrimination(*2), Quantity, etc)

(6) Dimensions of reel and taping (leader-tape, trailer-tape)



(in mm)

7-4. Specification of Outer Case



| Outer Case Dimensions (mm) | | | Standard Reel Quantity in Outer Case (Reel) |
|----------------------------|-----|----|---|
| W | D | H | |
| 186 | 186 | 93 | 5 |

* Above Outer Case size is typical. It depends on a quantity of an order.

8. Caution

8-1. Rating

Do not use products beyond the Operating Temperature Range and Rated Current.

8-2. Surge current

Excessive surge current (pulse current or rush current) than specified rated current applied to the product may cause a critical failure, such as an open circuit, burnout caused by excessive temperature rise. Please contact us in advance in case of applying the surge current.

8-3. Fail Safe

Be sure to provide an appropriate fail-safe function on your product to prevent from a second damage that may be caused by the abnormal function or the failure of our products.

8-4. Limitation of Applications

Please contact us before using our products for the applications listed below which require especially high reliability for the prevention of defects which might directly cause damage to the third party's life, body or property.

- | | |
|-----------------------------------|---|
| (1) Aircraft equipment | (6) Disaster prevention / crime prevention equipment |
| (2) Aerospace equipment | (7) Traffic signal equipment |
| (3) Undersea equipment | (8) Transportation equipment (trains, ships, etc.) |
| (4) Power plant control equipment | (9) Applications of similar complexity and /or reliability requirements to the applications listed in the above |
| (5) Medical equipment | |

9. Notice

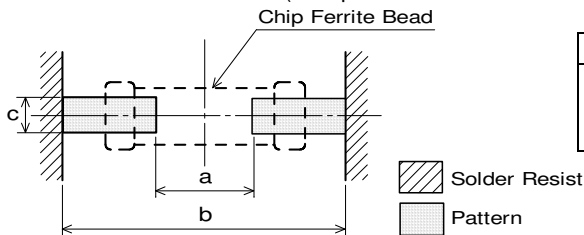
This product is designed for solder mounting.

Please consult us in advance for applying other mounting method such as conductive adhesive.

9-1. Land pattern designing

- Standard land dimensions

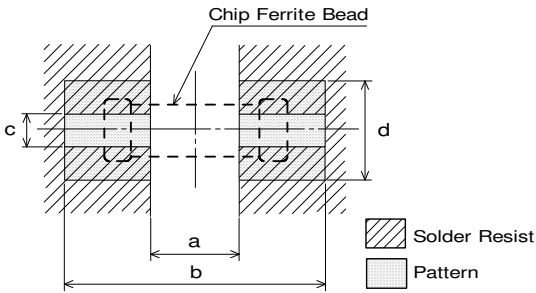
< For BLM18 series (except BLM18PG/SG/KG/SN type) >



| Type | Soldering | a | b | c |
|--|-----------|-----|------------|-----|
| BLM18 (except 18PG, 18SG, 18KG, 18SN type) | Flow | 0.7 | 2.2 to 2.6 | 0.7 |
| | Reflow | | 1.8 to 2.0 | |

(in mm)

< For BLM18PG, 18SG, 18KG, 18SN type >



| Type | Rated Current (A) | a | b | c | Land pad thickness and dimension d | | |
|---------|-------------------|-----|--|-----|------------------------------------|------|------|
| | | | | | 18μm | 35μm | 70μm |
| BLM18PG | 0.5 to 1.5 | 0.7 | Flow 2.2 to 2.6 Reflow 1.8 to 2.0 | 0.7 | 0.7 | 0.7 | 0.7 |
| BLM18SG | 1.7 to 2.5 | | | | 1.2 | 0.7 | 0.7 |
| BLM18KG | 3 to 4 5 to 6 | | | | 2.4 | 1.2 | 0.7 |
| BLM18SN | 8 | 0.7 | 2.0 | 0.7 | - | 6.4 | 3.3 |

(in mm)

*The excessive heat by land pads may cause deterioration at joint of products with substrate.

9-2.Soldering Conditions

Products can be applied to reflow and flow soldering.

(1) Flux,Solder

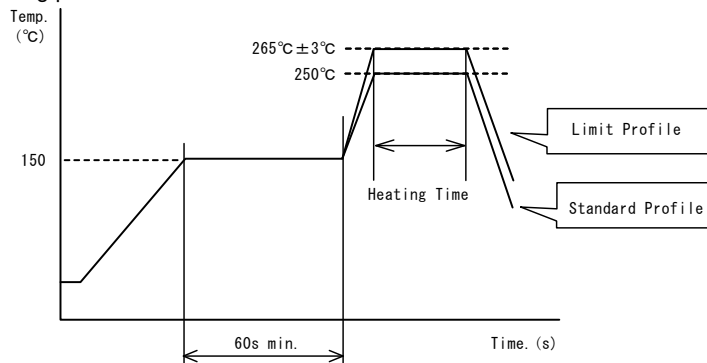
| | |
|--------|--|
| Flux | Use rosin-based flux, but not highly acidic flux (with chlorine content exceeding 0.2(wt)%.) Do not use water-soluble flux. |
| Solder | Use Sn-3.0Ag-0.5Cu solder Standard thickness of solder paste : 100 μm to 200 μm |

(2) Soldering conditions

- Pre-heating should be in such a way that the temperature difference between solder and ferrite surface is limited to 150°C max. Also cooling into solvent after soldering should be in such a way that the temperature difference is limited to 100°C max.
Insufficient pre-heating may cause cracks on the ferrite, resulting in the deterioration of product quality.
- Standard soldering profile and the limit soldering profile is as follows.
The excessive limit soldering conditions may cause leaching of the electrode and / or resulting in the deterioration of product quality.

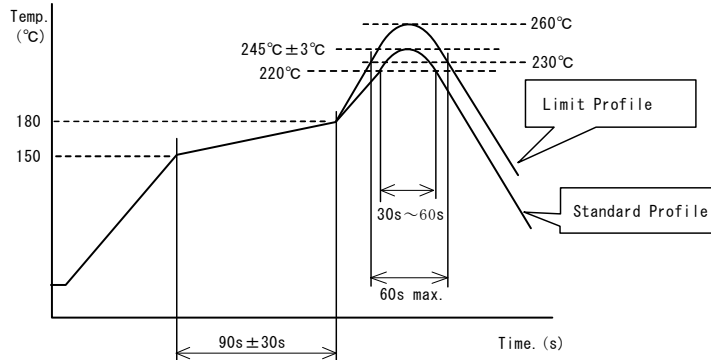
(3)soldering profile

□ Flow soldering profile



| | Standard Profile | Limit Profile |
|---------------|------------------|-------------------|
| Pre-heating | 150°C、60s min. | |
| Heating | 250°C、4~6s | 265°C±3°C、5s max. |
| Cycle of flow | 2 times | 2 times |

□ Reflow soldering profile



| | Standard Profile | Limit Profile |
|------------------|---------------------|----------------------|
| Pre-heating | 150~180°C、90s±30s | |
| Heating | above 220°C、30s~60s | above 230°C、60s max. |
| Peak temperature | 245±3°C | 260°C,10s |
| Cycle of reflow | 2 times | 2 times |

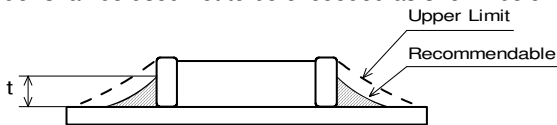
9-3.Reworking with soldering iron

- Pre-heating: 150°C, 1 min
- Tip temperature: 350°C max.
- Soldering time : 3(+1,-0) seconds.
- Soldering iron output: 80W max.
- Tip diameter: φ 3mm max.
- Times : 2times max.

Note :Do not directly touch the products with the tip of the soldering iron in order to prevent the crack on the ferrite material due to the thermal shock.

9-4.Solder Volume

Solder shall be used not to be exceeded as shown below.



$$1/3T \leq t \leq T$$

(T:Chip thickness)

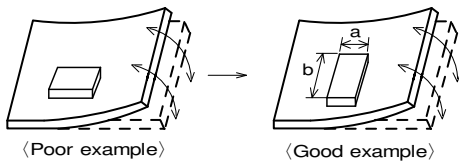
Accordingly increasing the solder volume, the mechanical stress to product is also increased. Exceeding solder volume may cause the failure of mechanical or electrical performance.

9-5.Attention regarding P.C.B. bending

The following shall be considered when designing and laying out P.C.B.'s.

- (1) P.C.B. shall be designed so that products are not subject to the mechanical stress for board warpage.

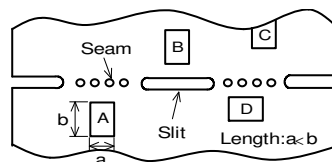
<Products direction>



Products shall be located in the sideways direction (Length:a<b) to the mechanical stress.

- (2)Products location on P.C.B. separation.

Products (A,B,C,D) shall be located carefully so that products are not subject to the mechanical stress due to warping the board. Because they may be subjected the mechanical stress in order of A>C>B ≅ D.



9-6.Mounting density

Add special attention to radiating heat of products when mounting the inductor near the products with heating. The excessive heat by other products may cause deterioration at joint of this product with substrate.

9-7. Operating Environment

Do not use this product under the following environmental conditions, on deterioration of the Insulation Resistance of the Ferrite material and/or corrosion of Inner Electrode may result from the use.

- (1) in the corrodible atmosphere (acidic gas, alkaline gas, chlorine, sulfur gas, organic gas and etc.)
- (2) in the atmosphere where liquid such as organic solvent, may splash on the products.
- (3) in the atmosphere where the temperature / humidity changes rapidly and it is easy to dew.

9-8. Resin coating

The impedance value may change and/or it may affect on the product's performance due to high cure-stress of resin to be used for coating / molding products. So please pay your careful attention when you select resin. In prior to use, please make the reliability evaluation with the product mounted in your application set.

9-9. Cleaning Conditions

Products shall be cleaned on the following conditions.

- (1) Cleaning temperature shall be limited to 60°C max. (40°C max. for IPA.)
- (2) Ultrasonic cleaning shall comply with the following conditions, avoiding the resonance phenomenon at the mounted products and P.C.B.
 - Power: 20W/ℓ max. Frequency: 28kHz to 40kHz Time: 5 min max.
- (3) Cleaner
 1. Alternative cleaner
 - Isopropyl alcohol (IPA)
 2. Aqueous agent
 - PINE ALPHA ST-100S
- (4) There shall be no residual flux and residual cleaner after cleaning.

In the case of using aqueous agent, products shall be dried completely after rinse with de-ionized water in order to remove the cleaner.
- (5) Other cleaning

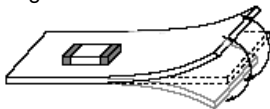
Please contact us.

9-10. Handling of a substrate

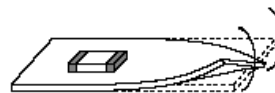
After mounting products on a substrate, do not apply any stress to the product caused by bending or twisting to the substrate when cropping the substrate, inserting and removing a connector from the substrate or tightening screw to the substrate.

Excessive mechanical stress may cause cracking in the product.

Bending



Twisting

**9-11. Storage Conditions**

- (1) Storage period
 - Use the products within 6 months after delivered.
 - Solderability should be checked if this period is exceeded.
- (2) Storage conditions
 - Products should be stored in the warehouse on the following conditions.
 - Temperature : -10°C to 40°C
 - Humidity : 15% to 85% relative humidity
 - No rapid change on temperature and humidity
 - Don't keep products in corrosive gases such as sulfur, chlorine gas or acid, or it may cause oxidization of electrode, resulting in poor solderability.
 - Products should be stored on the palette for the prevention of the influence from humidity, dust and so on.
 - Products should be stored in the warehouse without heat shock, vibration, direct sunlight and so on.
 - Products should be stored under the airtight packaged condition.
- (3) Delivery
 - Care should be taken when transporting or handling product to avoid excessive vibration or mechanical shock.

10.  Note

- (1) Please make sure that your product has been evaluated in view of your specifications with our product being mounted to your product.
- (2) You are requested not to use our product deviating from the reference specifications.
- (3) The contents of this reference specification are subject to change without advance notice. Please approve our product specifications or transact the approval sheet for product specifications before ordering.