



Chipsmall Limited consists of a professional team with an average of over 10 year of expertise in the distribution of electronic components. Based in Hongkong, we have already established firm and mutual-benefit business relationships with customers from,Europe,America and south Asia,supplying obsolete and hard-to-find components to meet their specific needs.

With the principle of “Quality Parts,Customers Priority,Honest Operation,and Considerate Service”,our business mainly focus on the distribution of electronic components. Line cards we deal with include Microchip,ALPS,ROHM,Xilinx,Pulse,ON,Everlight and Freescale. Main products comprise IC,Modules,Potentiometer,IC Socket,Relay,Connector.Our parts cover such applications as commercial,industrial, and automotives areas.

We are looking forward to setting up business relationship with you and hope to provide you with the best service and solution. Let us make a better world for our industry!



Contact us

Tel: +86-755-8981 8866 Fax: +86-755-8427 6832

Email & Skype: info@chipsmall.com Web: www.chipsmall.com

Address: A1208, Overseas Decoration Building, #122 Zhenhua RD., Futian, Shenzhen, China



BLP0427M9S20; BLP0427M9S20G

Power LDMOS transistor

Rev. 1 — 16 January 2018

AMPLEON

Product data sheet

1. Product profile

1.1 General description

20 W plastic LDMOS power transistor for general purpose applications at frequencies from 400 MHz to 2700 MHz.

Table 1. Application performance (multiple frequencies)

Typical RF performance at $T_{case} = 25\text{ °C}$; $I_{Dq} = 180\text{ mA}$; in a class-AB demo board, tested on gull wing lead device.

Test signal	f	I_{Dq}	V_{DS}	$P_{L(AV)}$	$P_{L(1dB)}$	G_p	η_D
	(MHz)	(mA)	(V)	(dBm)	(dBm)	(dB)	(%)
pulsed	960 to 1215	100	28	-	43	17	>55
1-carrier	1805 to 1880	180	28	35	-	19	21
CW	30 to 512	150	28	-	43	19	>50

Table 2. Application performance

Typical RF performance at $T_{case} = 25\text{ °C}$; $V_{DS} = 28\text{ V}$; $I_{Dq} = 100\text{ mA}$; $t_p = 300\text{ }\mu\text{s}$; $\delta = 10\%$; in a class-AB demo board, tested on straight lead device.

Test signal	f	P_L	G_p	$P_{L(1dB)}$	η_D	RL_{in}
	(MHz)	(dBm)	(dB)	(dBm)	(%)	(dB)
pulsed RF	1200 to 1400	43	19	43	63	-9

1.2 Features and benefits

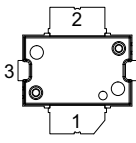
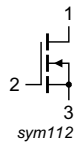
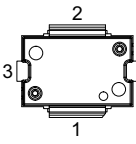
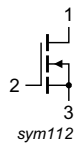
- High efficiency
- Excellent ruggedness
- Designed for broadband operation
- Excellent thermal stability
- High power gain
- Integrated ESD protection
- Compliant to Directive 2002/95/EC, regarding Restriction of Hazardous Substances (RoHS)

1.3 Applications

- Radars & avionics
- Broadcast transmitter applications
- Communications
- Industrial, scientific and medical applications

2. Pinning information

Table 3. Pinning

Pin	Description	Simplified outline	Graphic symbol
BLP0427M9S20 (SOT1482-1)			
1	drain		 sym112
2	gate		
3	source ^[1]		
BLP0427M9S20G (SOT1483-1)			
1	drain		 sym112
2	gate		
3	source ^[1]		

[1] Connected to flange.

3. Ordering information

Table 4. Ordering information

Type number	Package		
	Name	Description	Version
BLP0427M9S20	-	plastic; heatsink small outline package; 2 leads (flat)	SOT1482-1
BLP0427M9S20G	-	plastic; heatsink small outline package; 2 leads	SOT1483-1

4. Limiting values

Table 5. Limiting values

In accordance with the Absolute Maximum Rating System (IEC 60134).

Symbol	Parameter	Conditions	Min	Max	Unit
V_{DS}	drain-source voltage		-	65	V
V_{GS}	gate-source voltage		-5	+13	V
T_{stg}	storage temperature		-65	+150	°C
T_j	junction temperature		-	225	°C

5. Thermal characteristics

Table 6. Thermal characteristics

Symbol	Parameter	Conditions	Typ	Unit
$R_{th(j-c)}$	thermal resistance from junction to case	$T_{case} = 80\text{ °C}; P_L = 3\text{ W}$	1.1	K/W

6. Characteristics

Table 7. DC characteristics

$T_j = 25\text{ }^\circ\text{C}$; unless otherwise specified.

Symbol	Parameter	Conditions	Min	Typ	Max	Unit
$V_{(BR)DSS}$	drain-source breakdown voltage	$V_{GS} = 0\text{ V}$; $I_D = 0.3\text{ mA}$	65	-	-	V
$V_{GS(th)}$	gate-source threshold voltage	$V_{DS} = 10\text{ V}$; $I_D = 30\text{ mA}$	1.5	2.0	-	V
V_{GSq}	gate-source quiescent voltage	$V_{DS} = 28\text{ V}$; $I_D = 180\text{ mA}$	1.6	2.1	2.6	V
I_{DSS}	drain leakage current	$V_{GS} = 0\text{ V}$; $V_{DS} = 28\text{ V}$	-	-	1.4	μA
I_{DSX}	drain cut-off current	$V_{GS} = V_{GS(th)} + 3.75\text{ V}$	-	6	-	A
I_{GSS}	gate leakage current	$V_{GS} = 11\text{ V}$; $V_{DS} = 0\text{ V}$	-	-	140	nA
g_{fs}	forward transconductance	$V_{DS} = 10\text{ V}$; $I_D = 30\text{ mA}$	-	300	-	mS
$R_{DS(on)}$	drain-source on-state resistance	$V_{GS} = V_{GS(th)} + 3.75\text{ V}$; $I_D = 1.05\text{ A}$	-	500	-	$\text{m}\Omega$

Table 8. RF characteristics

A derivative functional RF test is performed in production. The performance as mentioned below is verified by design and characterization in a class AB production board.

Test signal: pulsed CW; $\delta = 10\%$; $t_p = 100\text{ }\mu\text{s}$; $V_{DS} = 28\text{ V}$; $I_{Dq} = 180\text{ mA}$; $T_{case} = 25\text{ }^\circ\text{C}$;
 $f = 1842.5\text{ MHz}$.

Symbol	Parameter	Conditions	Min	Typ	Max	Unit
G_p	power gain	$P_{L(AV)} = 35\text{ dBm}$	17	19	-	dB
η_D	drain efficiency	$P_{L(AV)} = 35\text{ dBm}$	18	22	-	%
RL_{in}	input return loss	$P_{L(AV)} = 35\text{ dBm}$	-	-10	-6	dB
$P_{L(1dB)}$	output power at 1 dB gain compression		-	42.5	-	dBm
$P_{L(3dB)}$	output power at 3 dB gain compression		-	43	-	dBm

7. Test information

7.1 Ruggedness in Doherty operation

The BLP0427M9S20 and BLP0427M9S20G are capable of withstanding a load mismatch corresponding to a VSWR = 10 : 1 through all phases under the following conditions: $V_{DS} = 28\text{ V}$; $P_L = 20\text{ W}$ (CW); $f = 728\text{ MHz}$ and 1805 MHz on development board.

7.2 Impedance information

Table 9. Typical impedance of BLP0427M9S20G

Measured load-pull data; $I_{Dq} = 180\text{ mA}$; $V_{DS} = 28\text{ V}$.

f	Z_S [1]	Z_L [1]	P_L [2]	η_D [2]	G_p [2]
(MHz)	(Ω)	(Ω)	(W)	(%)	(dB)
Maximum power load					
740	$0.5 + j0.1$	$10.6 - j1.0$	37	55.1	22.8
880	$0.6 - j1.4$	$3.8 + j2.0$	49	70.9	22.8
1810	$1.6 - j5.5$	$3.4 - j1.0$	43	62.2	19.0
1840	$1.3 - j5.8$	$3.0 - j1.2$	43	62.7	19.1

Table 9. Typical impedance of BLP0427M9S20G ...continued

Measured load-pull data; $I_{Dq} = 180 \text{ mA}$; $V_{DS} = 28 \text{ V}$.

f (MHz)	Z_S [1] (Ω)	Z_L [1] (Ω)	P_L [2] (W)	η_D [2] (%)	G_p [2] (dB)
1880	1.3 – j6.2	2.6 – j1.5	42	61.2	18.7
2110	5.3 – j9.6	2.6 – j2.5	41	58.2	17.7
2170	6.2 – j8.1	2.6 – j2.5	41	60.4	18.2
Maximum drain efficiency load					
740	0.5 + j0.1	6.0 + j10.0	20	74.1	24.8
880	0.6 – j1.4	3.7 + j5.9	26	82.7	24.7
1810	1.6 – j5.5	1.9 + j0.2	31	70.9	20.9
1840	1.3 – j5.8	1.7 + j0.0	29	69.8	21.3
1880	1.3 – j6.2	1.6 – j0.2	28	69.8	21.3
2110	5.3 – j9.6	1.7 – j1.5	32	65.6	19.5
2170	6.2 – j8.1	1.6 – j1.7	30	65.9	20.2

[1] Z_S and Z_L defined in [Figure 1](#).

[2] at 3 dB gain compression.

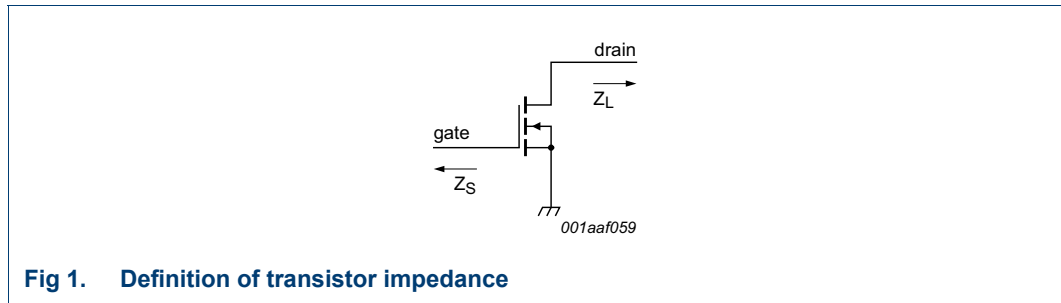
Table 10. Typical impedance of BLP0427M9S20

Measured load-pull data; $I_{Dq} = 180 \text{ mA}$; $V_{DS} = 28 \text{ V}$.

f (MHz)	Z_S [1] (Ω)	Z_L [1] (Ω)	P_L [2] (W)	η_D [2] (%)	G_p [2] (dB)
Maximum power load					
740	0.6 + j0.6	10.6 – j1.0	39	56.8	22.7
880	0.6 – j0.7	4.0 + j1.6	51	70.9	22.1
1810	1.8 – j5.4	3.0 – j1.2	44	60.9	19.1
1840	1.6 – j5.8	3.0 – j1.2	44	62.6	19.6
1880	1.8 – j6.1	2.9 – j1.6	44	60.9	19.1
2110	7.3 – j8.2	2.6 – j2.5	41	57.7	17.8
2170	8.7 – j6.8	2.6 – j2.5	43	62.1	18.7
Maximum drain efficiency load					
740	0.6 + j0.6	6.0 + j10.0	22	77.0	24.6
880	0.6 – j0.7	3.7 + j5.9	26	85.3	24.4
1810	1.8 – j5.4	1.9 + j0.0	33	69.4	20.9
1840	1.6 – j5.8	1.9 + j0.0	31	69.4	21.7
1880	1.8 – j6.1	1.8 – j0.2	32	70.7	21.6
2110	7.3 – j8.2	1.5 – j1.4	30	65.3	19.9
2170	8.7 – j6.8	1.4 – j1.6	29	69.3	21.3

[1] Z_S and Z_L defined in [Figure 1](#).

[2] at 3 dB gain compression.



7.3 Test circuit

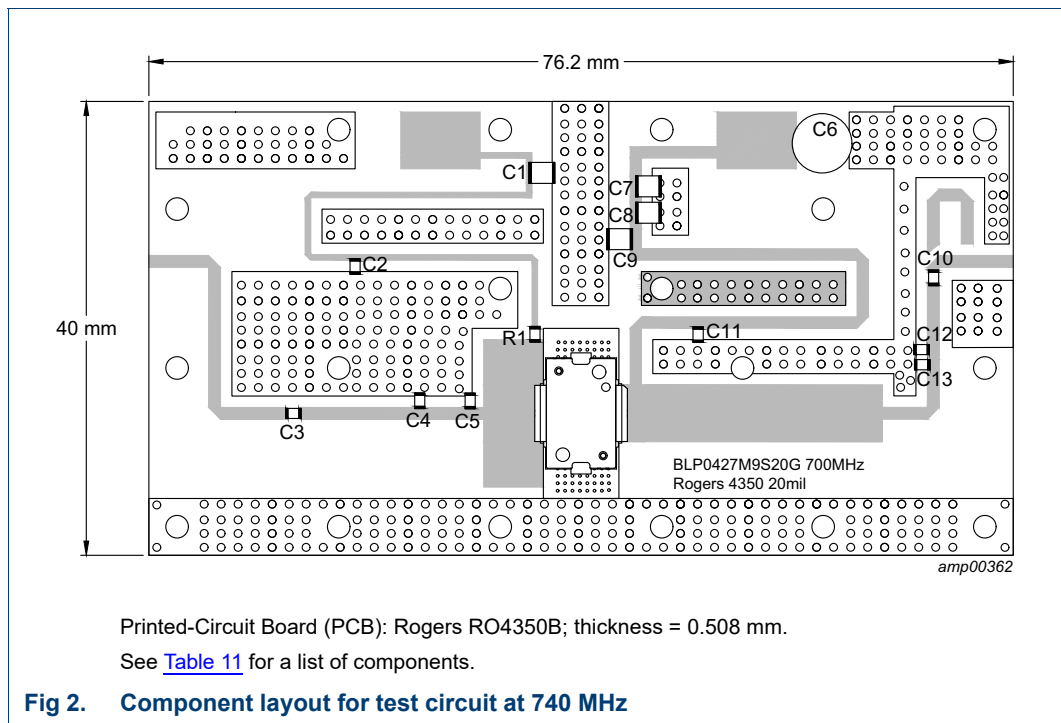


Table 11. List of components
See [Figure 2](#) for component layout.

Component	Description	Value	Remarks
C1, C7, C8, C9	multilayer ceramic chip capacitor	10 μ F, 50 V	Murata
C2, C3, C10, C11	multilayer ceramic chip capacitor	36 pF	ATC 600F
C4, C5	multilayer ceramic chip capacitor	15 pF	ATC 600F
C6	electrolytic capacitor	2200 μ F, 50 V	
C12	multilayer ceramic chip capacitor	5.6 pF	ATC 600F
C13	multilayer ceramic chip capacitor	0.2 pF	ATC 600F
R1	resistor	5.1 Ω	SMD 0805

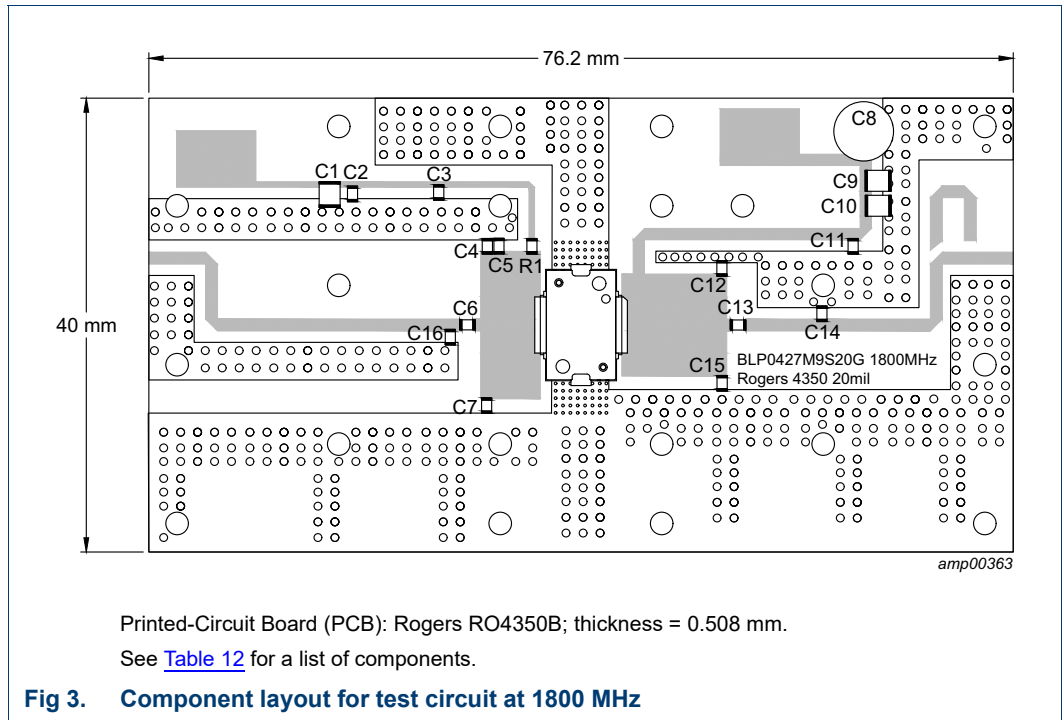


Table 12. List of components

See [Figure 3](#) for component layout.

Component	Description	Value	Remarks
C1, C9, C10	multilayer ceramic chip capacitor	10 μ F, 50 V	Murata
C2, C3, C11, C13	multilayer ceramic chip capacitor	12 pF	ATC 600F
C4, C5	multilayer ceramic chip capacitor	0.8 pF	ATC 600F
C6	multilayer ceramic chip capacitor	6.2 pF	ATC 600F
C7	multilayer ceramic chip capacitor	2 pF	ATC 600F
C8	electrolytic capacitor	2200 μ F, 50 V	
C12, C15	multilayer ceramic chip capacitor	0.3 pF	ATC 600F
C14	multilayer ceramic chip capacitor	2.2 pF	ATC 600F
C16	multilayer ceramic chip capacitor	0.3 pF	ATC 600F
R1	resistor	5.1 Ω	SMD 0805

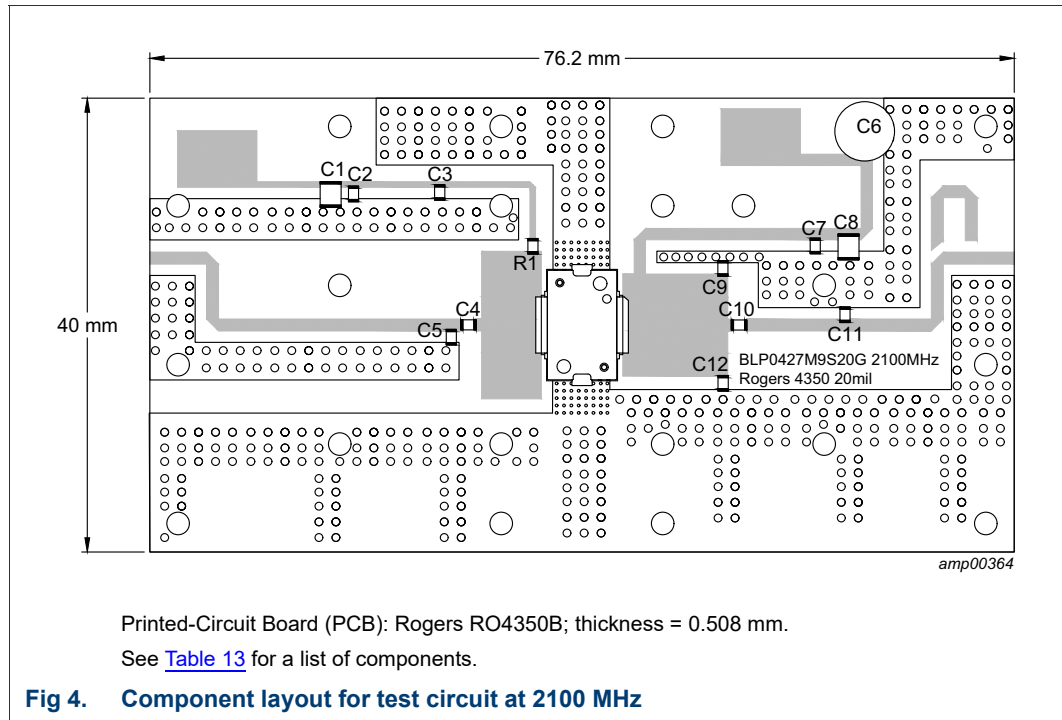


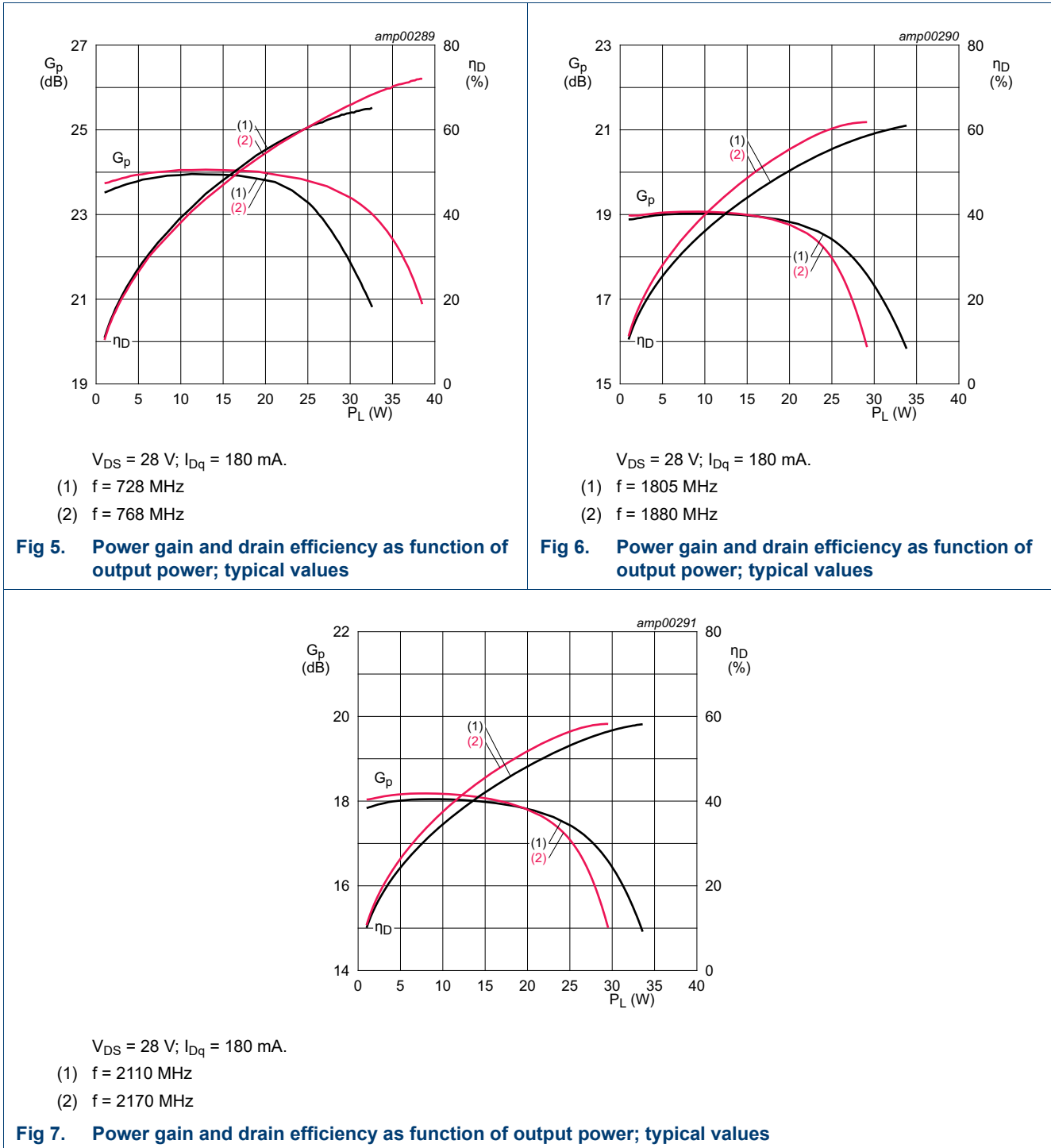
Table 13. List of components

See [Figure 4](#) for component layout.

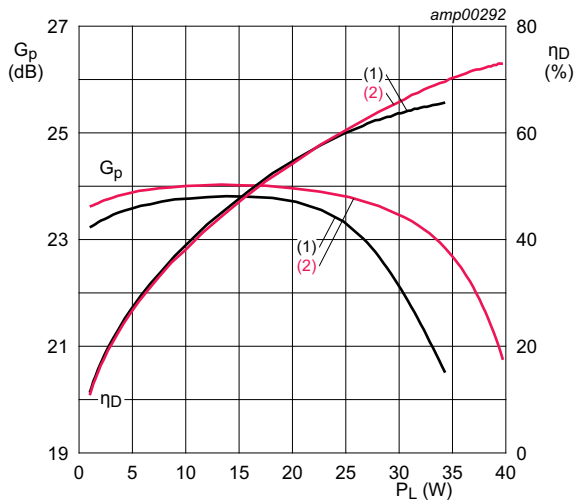
Component	Description	Value	Remarks
C1, C8	multilayer ceramic chip capacitor	10 μ F, 50 V	Murata
C2, C7, C10	multilayer ceramic chip capacitor	12 pF	ATC 600F
C3	multilayer ceramic chip capacitor	62 pF	ATC 600F
C4	multilayer ceramic chip capacitor	5.6 pF	ATC 600F
C5	multilayer ceramic chip capacitor	0.5 pF	ATC 600F
C6	electrolytic capacitor	2200 μ F, 50 V	
C9	multilayer ceramic chip capacitor	2.2 pF	ATC 600F
C11	multilayer ceramic chip capacitor	1.2 pF	ATC 600F
C12	multilayer ceramic chip capacitor	1.8 pF	ATC 600F
R1	resistor	5.1 Ω	SMD 0805

7.4 Graphical data

7.4.1 CW

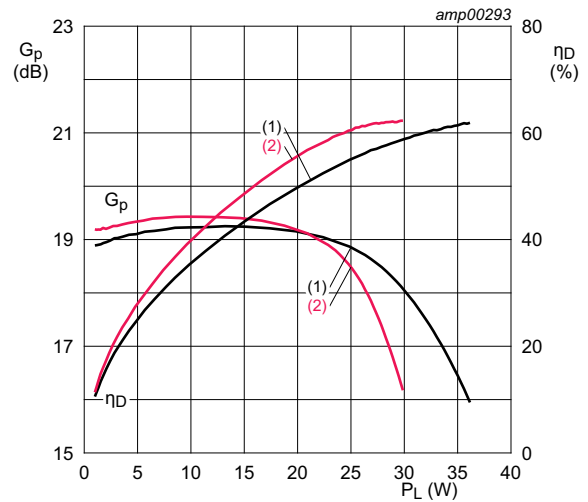


7.4.2 Pulsed CW



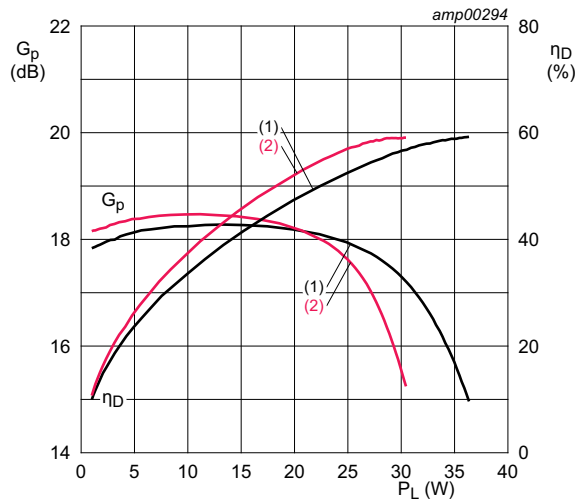
$V_{DS} = 28\text{ V}; I_{Dq} = 180\text{ mA}.$
 (1) $f = 728\text{ MHz}$
 (2) $f = 768\text{ MHz}$

Fig 8. Power gain and drain efficiency as function of output power; typical values



$V_{DS} = 28\text{ V}; I_{Dq} = 180\text{ mA}.$
 (1) $f = 1805\text{ MHz}$
 (2) $f = 1880\text{ MHz}$

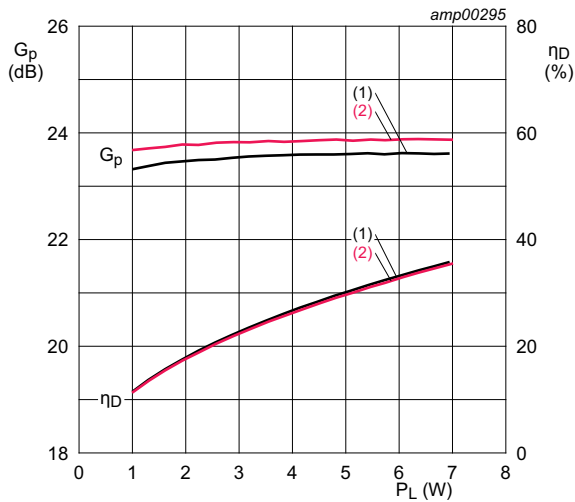
Fig 9. Power gain and drain efficiency as function of output power; typical values



$V_{DS} = 28\text{ V}; I_{Dq} = 180\text{ mA}.$
 (1) $f = 2110\text{ MHz}$
 (2) $f = 2170\text{ MHz}$

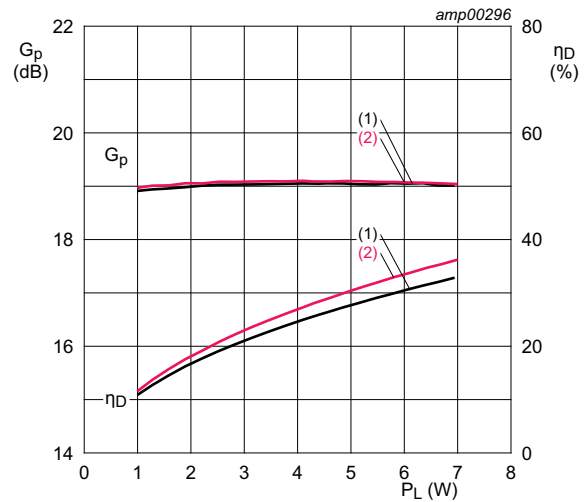
Fig 10. Power gain and drain efficiency as function of output power; typical values

7.4.3 1-Carrier W-CDMA



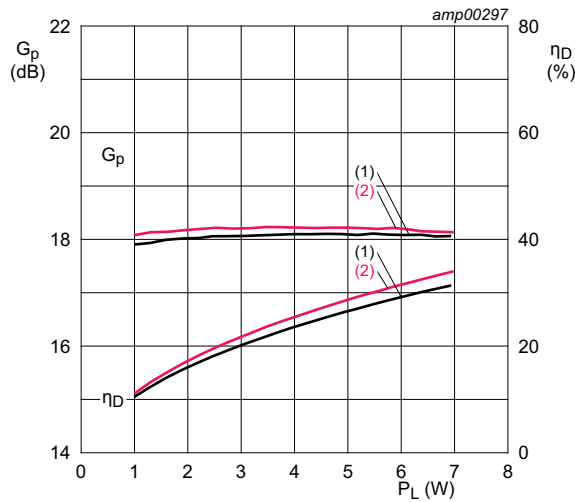
$V_{DS} = 28$ V; $I_{Dq} = 180$ mA.
 (1) $f = 728$ MHz
 (2) $f = 768$ MHz

Fig 11. Power gain and drain efficiency as function of output power; typical values



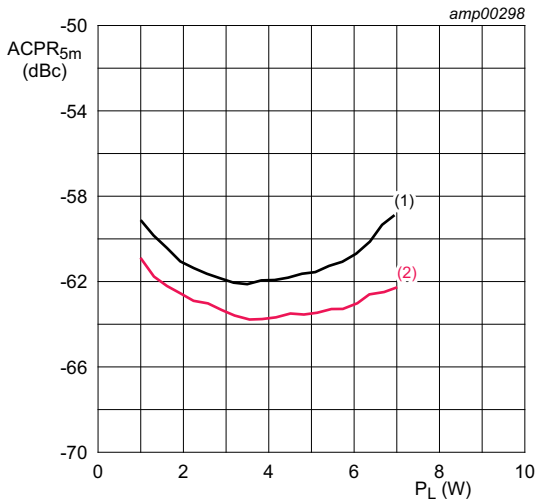
$V_{DS} = 28$ V; $I_{Dq} = 180$ mA.
 (1) $f = 1805$ MHz
 (2) $f = 1880$ MHz

Fig 12. Power gain and drain efficiency as function of output power; typical values



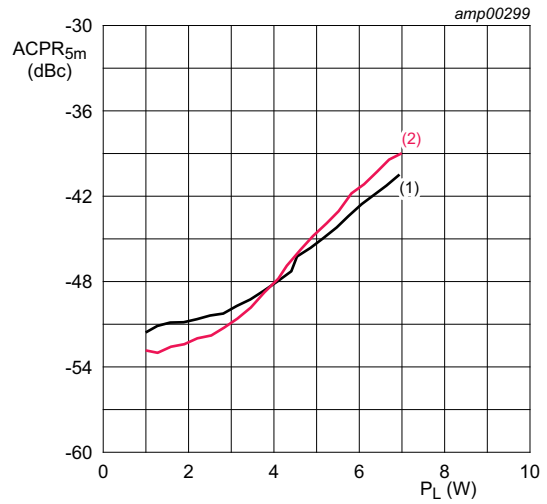
$V_{DS} = 28$ V; $I_{Dq} = 180$ mA.
 (1) $f = 2110$ MHz
 (2) $f = 2170$ MHz

Fig 13. Power gain and drain efficiency as function of output power; typical values



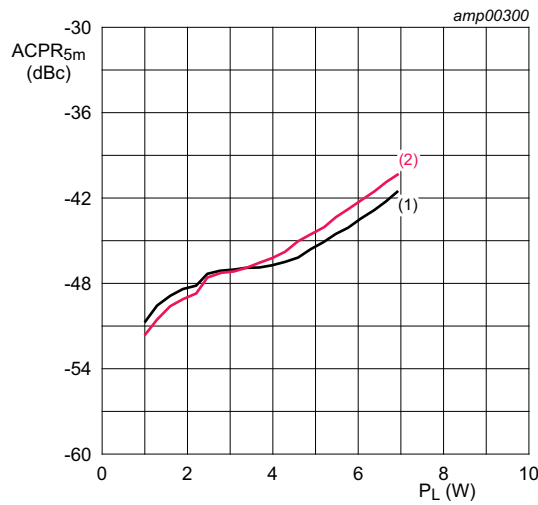
$V_{DS} = 28\text{ V}; I_{Dq} = 180\text{ mA}.$
 (1) $f = 728\text{ MHz}$
 (2) $f = 768\text{ MHz}$

Fig 14. Adjacent channel power ratio (5 MHz) as a function of output power; typical values



$V_{DS} = 28\text{ V}; I_{Dq} = 180\text{ mA}.$
 (1) $f = 1805\text{ MHz}$
 (2) $f = 1880\text{ MHz}$

Fig 15. Adjacent channel power ratio (5 MHz) as a function of output power; typical values



$V_{DS} = 28\text{ V}; I_{Dq} = 180\text{ mA}.$
 (1) $f = 2110\text{ MHz}$
 (2) $f = 2170\text{ MHz}$

Fig 16. Adjacent channel power ratio (5 MHz) as a function of output power; typical values

8. Package outline

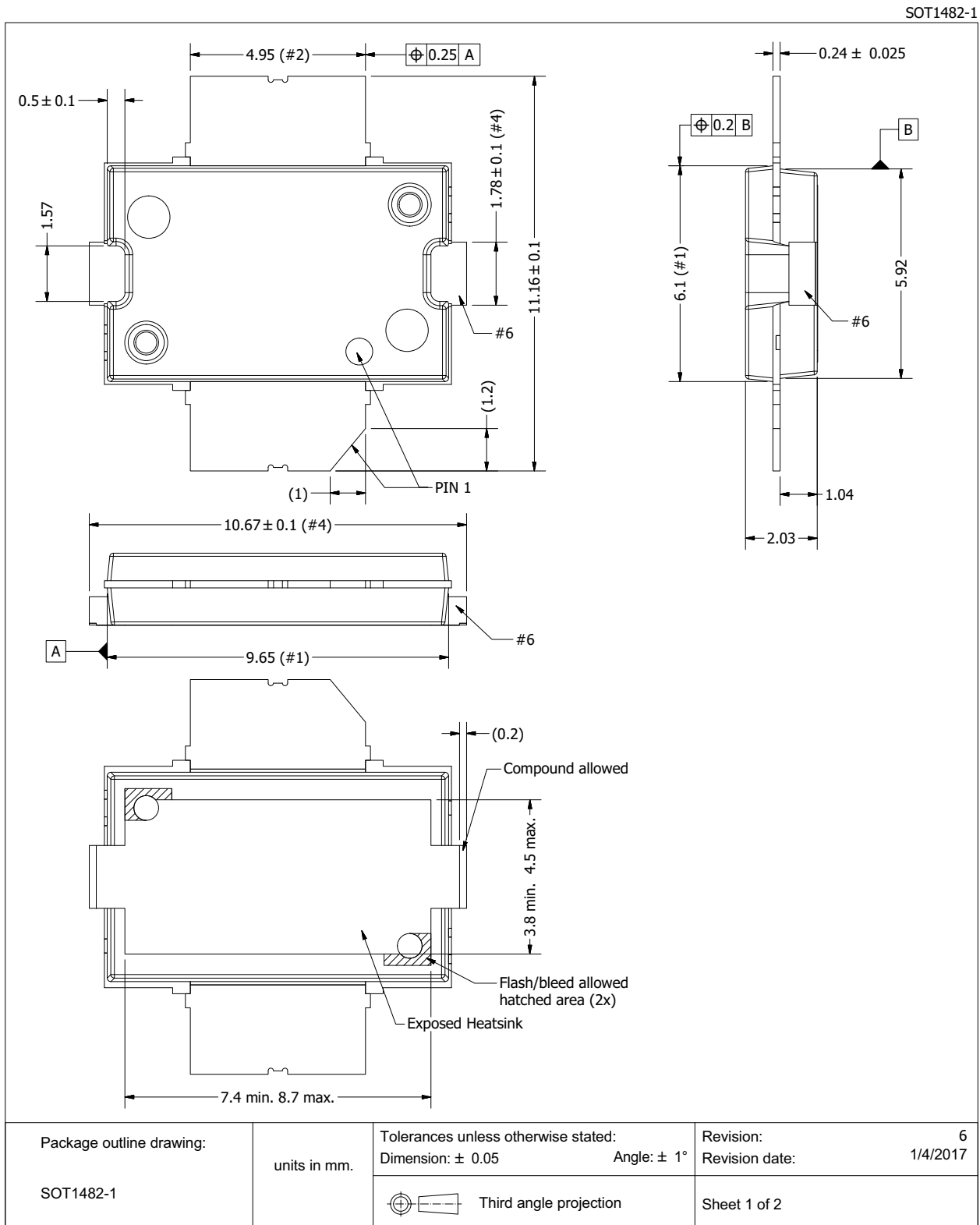


Fig 17. Package outline SOT1482-1 (sheet 1 of 2)

SOT1482-1

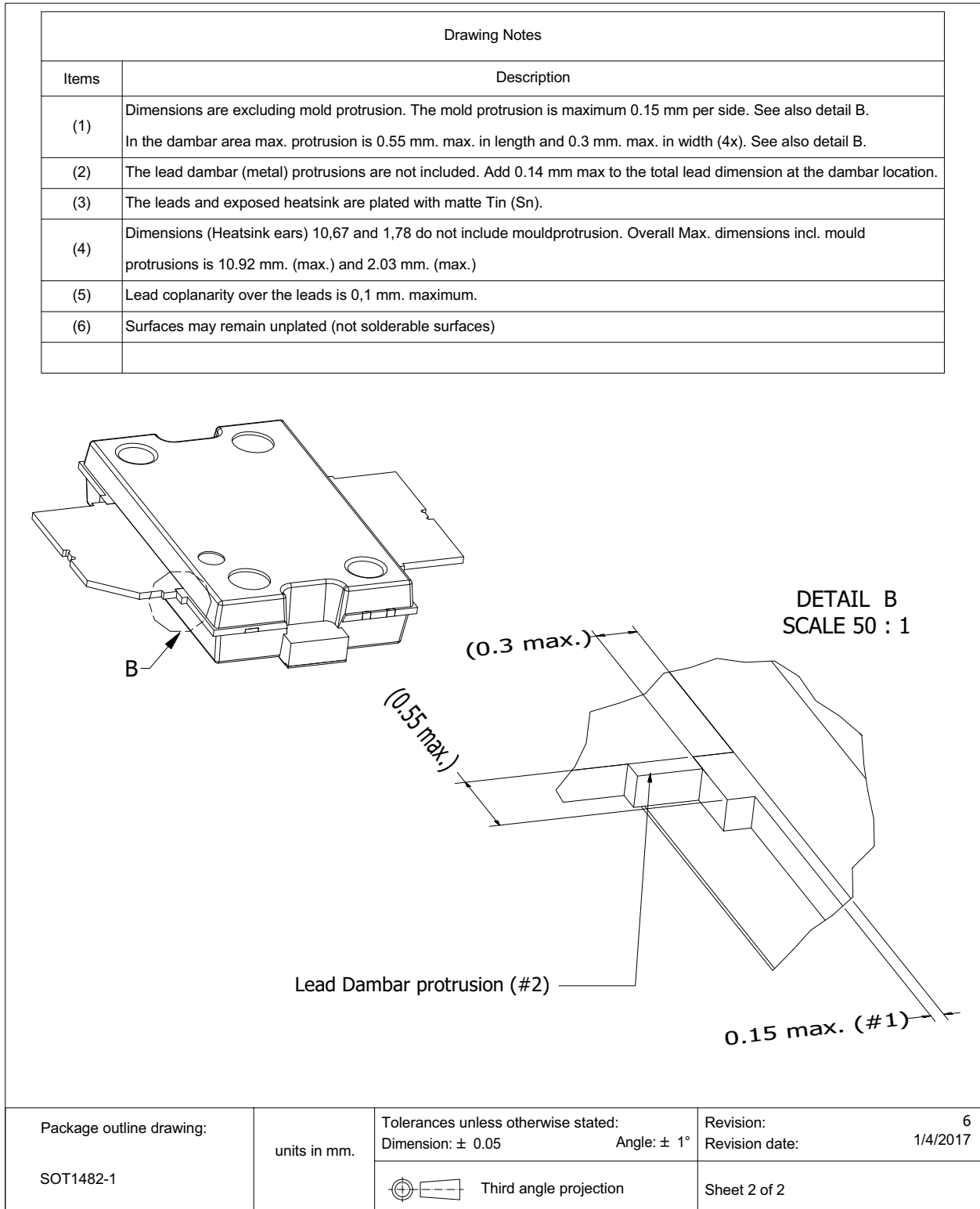


Fig 18. Package outline SOT1482-1 (sheet 2 of 2)

SOT1483-1

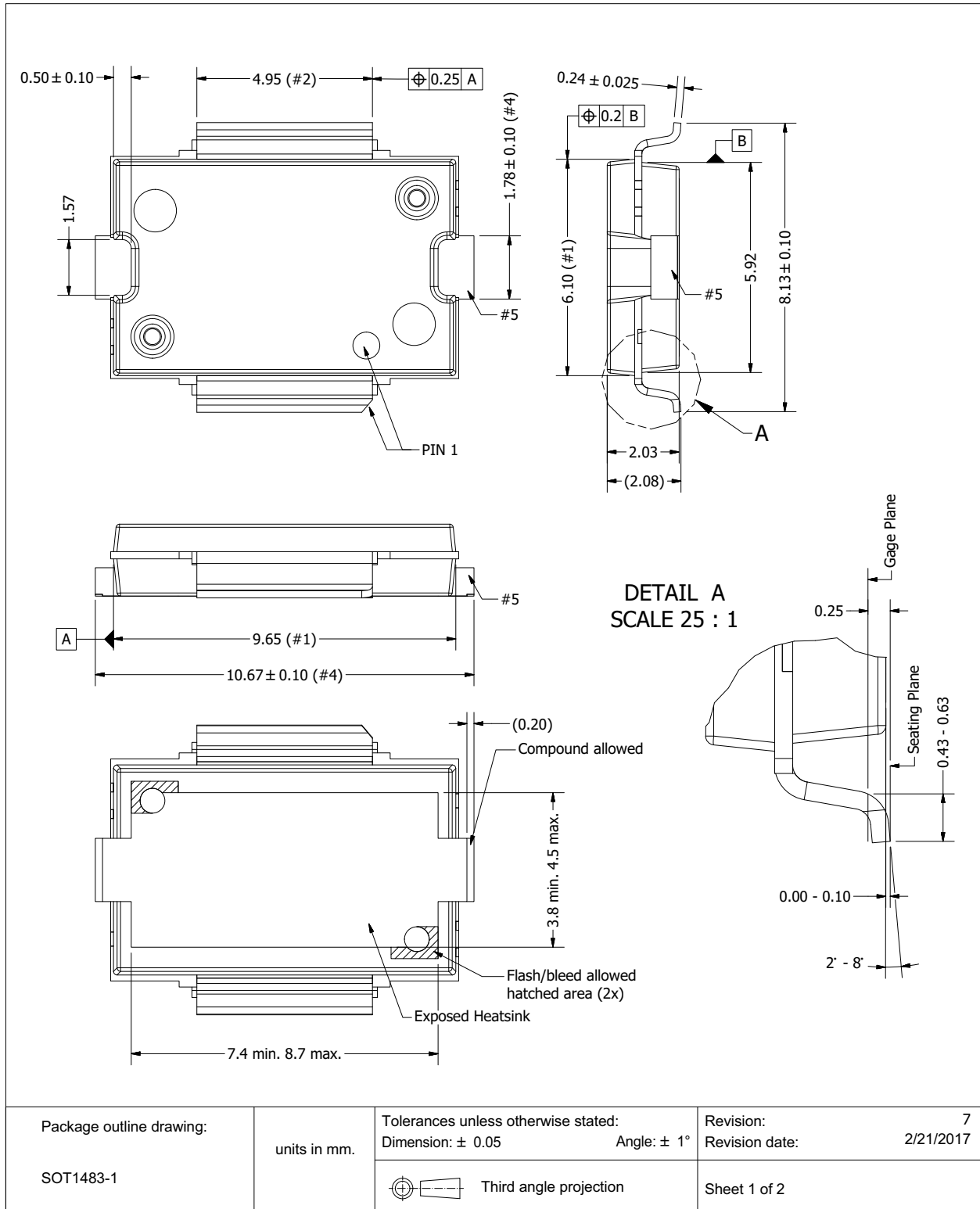
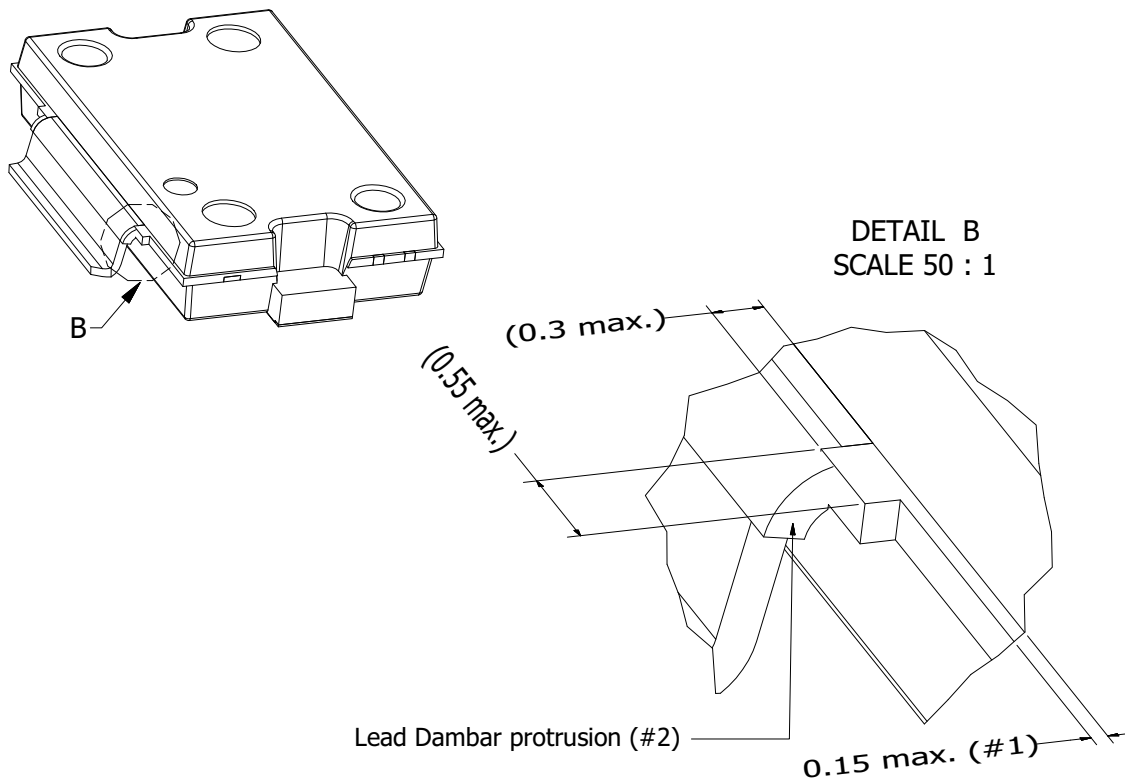


Fig 19. Package outline SOT1483-1 (sheet 1 of 2)

SOT1483-1

Drawing Notes	
Items	Description
(1)	Dimensions are excluding mold protrusion. The mold protrusion is maximum 0.15 mm per side. See also detail B. In the dambar area max. protrusion is 0.55mm max. in length and 0.3 mm max. in width (4x) See also detail B.
(2)	The lead dambar (metal) protrusions are not included. Add 0.14 mm max to the total lead dimension at the dambar location.
(3)	The leads and exposed heatsink are plated with matte Tin (Sn).
(4)	Dimensions (Heatsink ears) 10,67 and 1,78 do not include mould protrusion. Overall Max. dimensions incl. mould protrusions is 10,92 mm. (max.) and 2,03 mm. (max.).
(5)	Surfaces may remain unplated (not solderable surfaces).



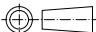
Package outline drawing: SOT1483-1	units in mm.	Tolerances unless otherwise stated: Dimension: ± 0.05 Angle: $\pm 1^\circ$	Revision: 7 Revision date: 2/21/2017
		 Third angle projection	Sheet 2 of 2

Fig 20. Package outline SOT1483-1 (sheet 2 of 2)

9. Handling information

CAUTION



This device is sensitive to ElectroStatic Discharge (ESD). Observe precautions for handling electrostatic sensitive devices.

Such precautions are described in the *ANSI/ESD S20.20*, *IEC/ST 61340-5*, *JESD625-A* or equivalent standards.

Table 14. ESD sensitivity

ESD model	Class
Charged Device Model (CDM); According to ANSI/ESDA/JEDEC standard JS-002	C2A [1]
Human Body Model (HBM); According to ANSI/ESDA/JEDEC standard JS-001	2 [2]

[1] CDM classification C2A is granted to any part that passes after exposure to an ESD pulse of 500 V, but fails after exposure to an ESD pulse of 750 V.

[2] HBM classification 2 is granted to any part that passes after exposure to an ESD pulse of 2000 V, but fails after exposure to an ESD pulse of 4000 V.

10. Abbreviations

Table 15. Abbreviations

Acronym	Description
CW	Continuous Wave
ESD	ElectroStatic Discharge
LDMOS	Laterally Diffused Metal-Oxide Semiconductor
SMD	Surface Mounted Device
W-CDMA	Wideband Code Division Multiple Access

11. Revision history

Table 16. Revision history

Document ID	Release date	Data sheet status	Change notice	Supersedes
BLP0427M9S20_0427M9S20G v.1	20180116	Product data sheet	-	-

12. Legal information

12.1 Data sheet status

Document status ^{[1][2]}	Product status ^[3]	Definition
Objective [short] data sheet	Development	This document contains data from the objective specification for product development.
Preliminary [short] data sheet	Qualification	This document contains data from the preliminary specification.
Product [short] data sheet	Production	This document contains the product specification.

[1] Please consult the most recently issued document before initiating or completing a design.

[2] The term 'short data sheet' is explained in section "Definitions".

[3] The product status of device(s) described in this document may have changed since this document was published and may differ in case of multiple devices. The latest product status information is available on the Internet at URL <http://www.ampleon.com>.

12.2 Definitions

Draft — The document is a draft version only. The content is still under internal review and subject to formal approval, which may result in modifications or additions. Ampleon does not give any representations or warranties as to the accuracy or completeness of information included herein and shall have no liability for the consequences of use of such information.

Short data sheet — A short data sheet is an extract from a full data sheet with the same product type number(s) and title. A short data sheet is intended for quick reference only and should not be relied upon to contain detailed and full information. For detailed and full information see the relevant full data sheet, which is available on request via the local Ampleon sales office. In case of any inconsistency or conflict with the short data sheet, the full data sheet shall prevail.

Product specification — The information and data provided in a Product data sheet shall define the specification of the product as agreed between Ampleon and its customer, unless Ampleon and customer have explicitly agreed otherwise in writing. In no event however, shall an agreement be valid in which the Ampleon product is deemed to offer functions and qualities beyond those described in the Product data sheet.

12.3 Disclaimers

Limited warranty and liability — Information in this document is believed to be accurate and reliable. However, Ampleon does not give any representations or warranties, expressed or implied, as to the accuracy or completeness of such information and shall have no liability for the consequences of use of such information. Ampleon takes no responsibility for the content in this document if provided by an information source outside of Ampleon.

In no event shall Ampleon be liable for any indirect, incidental, punitive, special or consequential damages (including - without limitation - lost profits, lost savings, business interruption, costs related to the removal or replacement of any products or rework charges) whether or not such damages are based on tort (including negligence), warranty, breach of contract or any other legal theory.

Notwithstanding any damages that customer might incur for any reason whatsoever, Ampleon's aggregate and cumulative liability towards customer for the products described herein shall be limited in accordance with the *Terms and conditions of commercial sale* of Ampleon.

Right to make changes — Ampleon reserves the right to make changes to information published in this document, including without limitation specifications and product descriptions, at any time and without notice. This document supersedes and replaces all information supplied prior to the publication hereof.

Suitability for use — Ampleon products are not designed, authorized or warranted to be suitable for use in life support, life-critical or safety-critical systems or equipment, nor in applications where failure or malfunction of an

Ampleon product can reasonably be expected to result in personal injury, death or severe property or environmental damage. Ampleon and its suppliers accept no liability for inclusion and/or use of Ampleon products in such equipment or applications and therefore such inclusion and/or use is at the customer's own risk.

Applications — Applications that are described herein for any of these products are for illustrative purposes only. Ampleon makes no representation or warranty that such applications will be suitable for the specified use without further testing or modification.

Customers are responsible for the design and operation of their applications and products using Ampleon products, and Ampleon accepts no liability for any assistance with applications or customer product design. It is customer's sole responsibility to determine whether the Ampleon product is suitable and fit for the customer's applications and products planned, as well as for the planned application and use of customer's third party customer(s). Customers should provide appropriate design and operating safeguards to minimize the risks associated with their applications and products.

Ampleon does not accept any liability related to any default, damage, costs or problem which is based on any weakness or default in the customer's applications or products, or the application or use by customer's third party customer(s). Customer is responsible for doing all necessary testing for the customer's applications and products using Ampleon products in order to avoid a default of the applications and the products or of the application or use by customer's third party customer(s). Ampleon does not accept any liability in this respect.

Limiting values — Stress above one or more limiting values (as defined in the Absolute Maximum Ratings System of IEC 60134) will cause permanent damage to the device. Limiting values are stress ratings only and (proper) operation of the device at these or any other conditions above those given in the Recommended operating conditions section (if present) or the Characteristics sections of this document is not warranted. Constant or repeated exposure to limiting values will permanently and irreversibly affect the quality and reliability of the device.

Terms and conditions of commercial sale — Ampleon products are sold subject to the general terms and conditions of commercial sale, as published at <http://www.ampleon.com/terms>, unless otherwise agreed in a valid written individual agreement. In case an individual agreement is concluded only the terms and conditions of the respective agreement shall apply. Ampleon hereby expressly objects to applying the customer's general terms and conditions with regard to the purchase of Ampleon products by customer.

No offer to sell or license — Nothing in this document may be interpreted or construed as an offer to sell products that is open for acceptance or the grant, conveyance or implication of any license under any copyrights, patents or other industrial or intellectual property rights.

Export control — This document as well as the item(s) described herein may be subject to export control regulations. Export might require a prior authorization from competent authorities.

Non-automotive qualified products — Unless this data sheet expressly states that this specific Ampleon product is automotive qualified, the product is not suitable for automotive use. It is neither qualified nor tested in accordance with automotive testing or application requirements. Ampleon accepts no liability for inclusion and/or use of non-automotive qualified products in automotive equipment or applications.

In the event that customer uses the product for design-in and use in automotive applications to automotive specifications and standards, customer (a) shall use the product without Ampleon's warranty of the product for such automotive applications, use and specifications, and (b) whenever customer uses the product for automotive applications beyond Ampleon's specifications such use shall be solely at customer's own risk, and (c) customer fully indemnifies Ampleon for any liability, damages or failed product claims resulting from customer design and use of the product for automotive applications beyond Ampleon's standard warranty and Ampleon's product specifications.

Translations — A non-English (translated) version of a document is for reference only. The English version shall prevail in case of any discrepancy between the translated and English versions.

12.4 Trademarks

Notice: All referenced brands, product names, service names and trademarks are the property of their respective owners.

Any reference or use of any 'NXP' trademark in this document or in or on the surface of Ampleon products does not result in any claim, liability or entitlement vis-à-vis the owner of this trademark. Ampleon is no longer part of the NXP group of companies and any reference to or use of the 'NXP' trademarks will be replaced by reference to or use of Ampleon's own trademarks.

13. Contact information

For more information, please visit: <http://www.ampleon.com>

For sales office addresses, please visit: <http://www.ampleon.com/sales>

14. Contents

1 **Product profile** 1

1.1 General description 1

1.2 Features and benefits 1

1.3 Applications 1

2 **Pinning information** 2

3 **Ordering information** 2

4 **Limiting values** 2

5 **Thermal characteristics** 2

6 **Characteristics** 3

7 **Test information** 3

7.1 Ruggedness in Doherty operation 3

7.2 Impedance information 3

7.3 Test circuit 5

7.4 Graphical data 8

7.4.1 CW 8

7.4.2 Pulsed CW 9

7.4.3 1-Carrier W-CDMA 10

8 **Package outline** 12

9 **Handling information** 16

10 **Abbreviations** 16

11 **Revision history** 16

12 **Legal information** 17

12.1 Data sheet status 17

12.2 Definitions 17

12.3 Disclaimers 17

12.4 Trademarks 18

13 **Contact information** 18

14 **Contents** 19

Please be aware that important notices concerning this document and the product(s) described herein, have been included in section 'Legal information'.

© Ampleon Netherlands B.V. 2018. All rights reserved.

For more information, please visit: <http://www.ampleon.com>
 For sales office addresses, please visit: <http://www.ampleon.com/sales>

Date of release: 16 January 2018
 Document identifier: BLP0427M9S20_0427M9S20G