



Chipsmall Limited consists of a professional team with an average of over 10 year of expertise in the distribution of electronic components. Based in Hongkong, we have already established firm and mutual-benefit business relationships with customers from,Europe,America and south Asia,supplying obsolete and hard-to-find components to meet their specific needs.

With the principle of “Quality Parts,Customers Priority,Honest Operation,and Considerate Service”,our business mainly focus on the distribution of electronic components. Line cards we deal with include Microchip,ALPS,ROHM,Xilinx,Pulse,ON,Everlight and Freescale. Main products comprise IC,Modules,Potentiometer,IC Socket,Relay,Connector.Our parts cover such applications as commercial,industrial, and automotives areas.

We are looking forward to setting up business relationship with you and hope to provide you with the best service and solution. Let us make a better world for our industry!



Contact us

Tel: +86-755-8981 8866 Fax: +86-755-8427 6832

Email & Skype: info@chipsmall.com Web: www.chipsmall.com

Address: A1208, Overseas Decoration Building, #122 Zhenhua RD., Futian, Shenzhen, China



1. Product profile

1.1 General description

10W plastic LDMOS power transistor for base station applications at frequencies from 700 MHz to 2700 MHz.

Table 1. Application performance (multiple frequencies)

Typical RF performance at $T_{case} = 25\text{ °C}$; $I_{DQ} = 110\text{ mA}$; in a class-AB application circuit.

Test signal	f (MHz)	I_{DQ} (mA)	V_{DS} (V)	$P_{L(AV)}$ (W)	G_p (dB)	η_D (%)	ACPR _{5M} (dBc)
Pulsed CW	2700	110	28	2	14.5	26	-
1-carrier W-CDMA	748	110	28	0.7	27.5	13.5	-43 [1]
	748	110	28	2	27.5	25	-40
2-carrier W-CDMA	2140	110	28	0.7	17.4	13	-51
	2140	110	28	2	17.4	25	-40

[1] Test signal: 2-carrier W-CDMA; carrier spacing = 5 MHz; PAR = 8.4 dB at 0.01 % probability on CCDF; RF performance at $V_{DS} = 28\text{ V}$; $I_{DQ} = 110\text{ mA}$.

1.2 Features and benefits

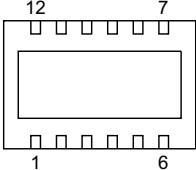
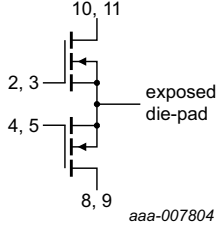
- High efficiency
- Excellent ruggedness
- Designed for broadband operation
- Excellent thermal stability
- High power gain
- Integrated ESD protection
- Compliant to Directive 2002/95/EC, regarding Restriction of Hazardous Substances (RoHS)

1.3 Applications

- CDMA
- W-CDMA
- GSM EDGE
- MC-GSM
- LTE
- WiMAX

2. Pinning information

Table 2. Pinning

Pin	Description	Simplified outline	Graphic symbol [1]
1, 6, 7, 12	n.c.	 <p>Transparent top view</p>	 <p>aaa-007804</p>
2, 3, 4, 5	gate		
8, 9, 10, 11	drain		
exposed die-pad	source		

[1] To be used in single ended applications only.

3. Ordering information

Table 3. Ordering information

Type number	Package		
	Name	Description	Version
BLP7G22-10	HVSON12	plastic thermal enhanced very thin small outline package; no leads; 12 terminals; body 6 × 4 × 0.85 mm	SOT1179-2

4. Limiting values

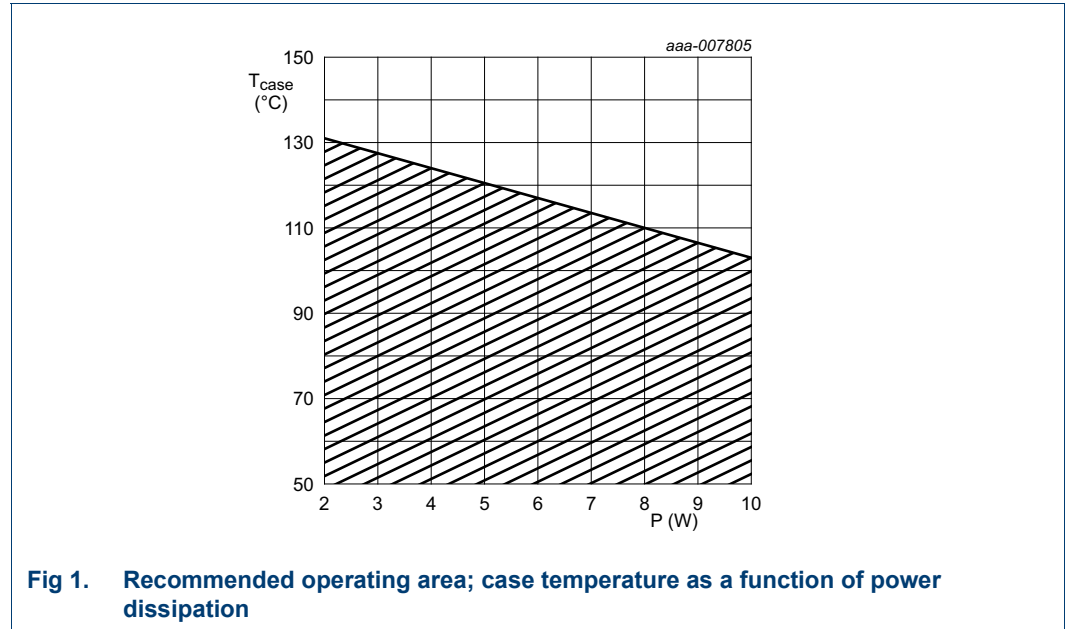
Table 4. Limiting values

In accordance with the Absolute Maximum Rating System (IEC 60134).

Symbol	Parameter	Conditions	Min	Max	Unit
V_{DS}	drain-source voltage		-	65	V
V_{GS}	gate-source voltage		-0.5	+13	V
T_{stg}	storage temperature		-65	+150	°C
T_j	junction temperature		-	150	°C

5. Recommended operating conditions

See application note AN11198 for more details.



6. Thermal characteristics

Table 5. Thermal characteristics

Symbol	Parameter	Conditions	Typ	Unit
$R_{th(j-c)}$	thermal resistance from junction to case	$T_{case} = 70\text{ }^{\circ}\text{C}; P_L = 2\text{ W}$	3.2	K/W

7. Characteristics

Table 6. DC characteristics

$T_j = 25\text{ }^{\circ}\text{C}$; unless otherwise specified.

Symbol	Parameter	Conditions	Min	Typ	Max	Unit
$V_{(BR)DSS}$	drain-source breakdown voltage	$V_{GS} = 0\text{ V}; I_D = 0.18\text{ mA}$	65	-	-	V
$V_{GS(th)}$	gate-source threshold voltage	$V_{DS} = 10\text{ V}; I_D = 18\text{ mA}$	1.5	1.9	2.3	V
I_{DSS}	drain leakage current	$V_{GS} = 0\text{ V}; V_{DS} = 28\text{ V}$	-1.4	-	+1.4	μA
I_{DSX}	drain cut-off current	$V_{GS} = V_{GS(th)} + 3.75\text{ V}$	-	3.2	-	A
I_{GSS}	gate leakage current	$V_{GS} = 11\text{ V}; V_{DS} = 0\text{ V}$	-	-	140	nA
g_{fs}	forward transconductance	$V_{DS} = 10\text{ V}; I_D = 18\text{ mA}$	-	160	-	mS
$R_{DS(on)}$	drain-source on-state resistance	$V_{GS} = V_{GS(th)} + 3.75\text{ V}; V_{DS} = 10\text{ V}; I_D = 630\text{ mA}$	-	1000	-	$\text{m}\Omega$

Table 7. RF characteristics

Test signal: 1-tone pulsed; $t_p = 50 \mu s$; $\delta = 10 \%$; $f = 2140 \text{ MHz}$; RF performance at $V_{DS} = 28 \text{ V}$; $I_{DQ} = 110 \text{ mA}$; $T_{case} = 25 \text{ }^\circ\text{C}$; unless otherwise specified, in a production circuit.

Symbol	Parameter	Conditions	Min	Typ	Max	Unit
G_p	power gain	$P_{L(AV)} = 2 \text{ W}$	15	16	-	dB
η_D	drain efficiency	$P_{L(AV)} = 2 \text{ W}$	20	23	-	%
$P_{L(1dB)}$	output power at 1 dB gain compression		11	-	-	W
RL_{in}	input return loss	$P_{L(AV)} = 2 \text{ W}$	-	-16	-12	dB

8. Application information

8.1 Frequency band 2110 MHz to 2170 MHz

8.1.1 Application circuit

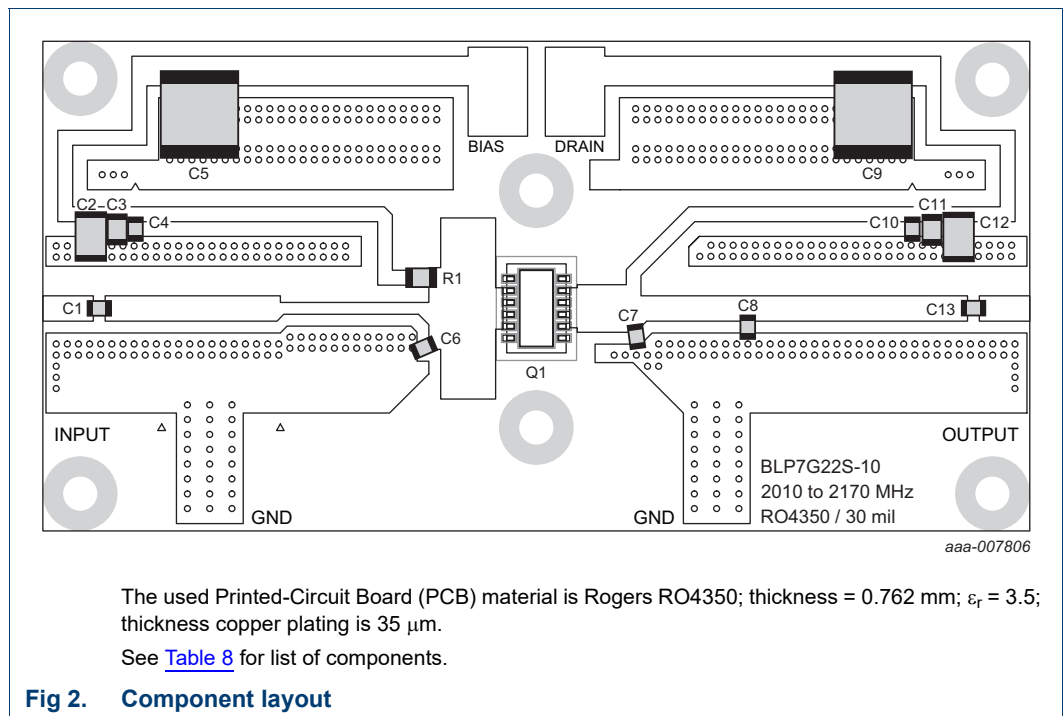


Table 8. List of components

See [Figure 2](#) for component layout.

The used Printed-Circuit Board (PCB) material is Rogers RO4350; thickness = 0.762 mm; $\epsilon_r = 3.5$; thickness copper plating is 35 μm .

Component	Description	Value	Remarks
C1, C4, C10, C13	multilayer ceramic chip capacitor	22 pF	[1]
C2, C12	multilayer ceramic chip capacitor	1 μF	[2]
C3, C11	multilayer ceramic chip capacitor	100 nF	[3]
C5, C9	multilayer ceramic chip capacitor	10 μF ; 50 V	[4]
C6	multilayer ceramic chip capacitor	2.8 pF	[1]

Table 8. List of components ...continued

See [Figure 2](#) for component layout.

The used Printed-Circuit Board (PCB) material is Rogers RO4350; thickness = 0.762 mm; $\epsilon_r = 3.5$; thickness copper plating is 35 μm .

Component	Description	Value	Remarks
C7	multilayer ceramic chip capacitor	3.9 pF	[1]
C8	multilayer ceramic chip capacitor	1.7 pF	[1]
R1	chip resistor	10 Ω	SMD 0805; 1 % tolerance

[1] American Technical Ceramics type 100A or capacitor of same quality.

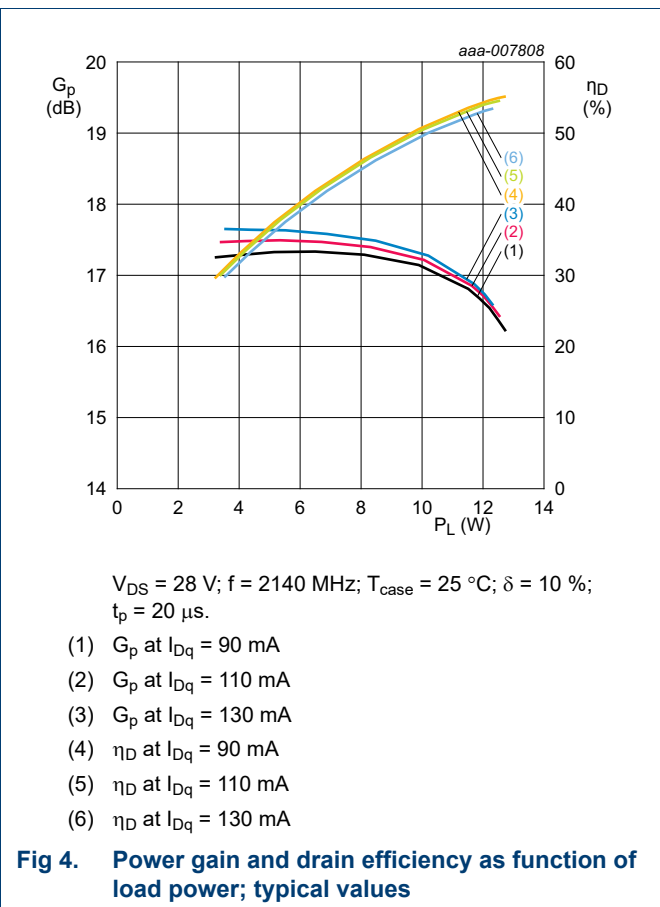
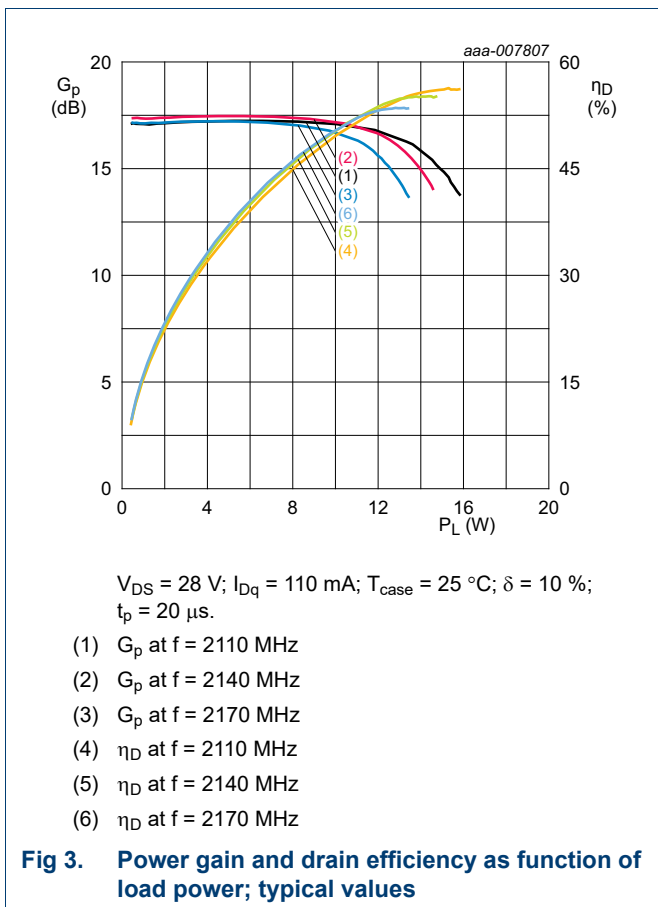
[2] Murata GRM31MR71H105KA88L or capacitor of same quality.

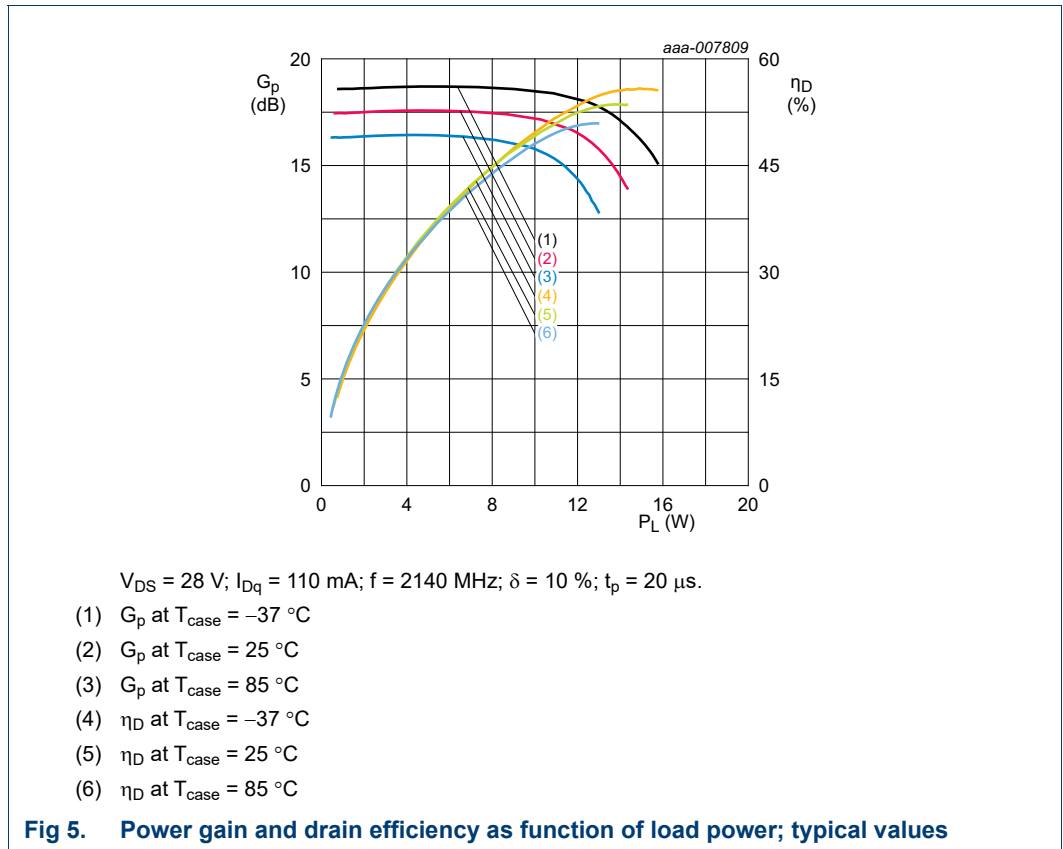
[3] Murata GRM21BR71H104KA01L or capacitor of same quality.

[4] Murata GRM32ER71H106KA88L or capacitor of same quality.

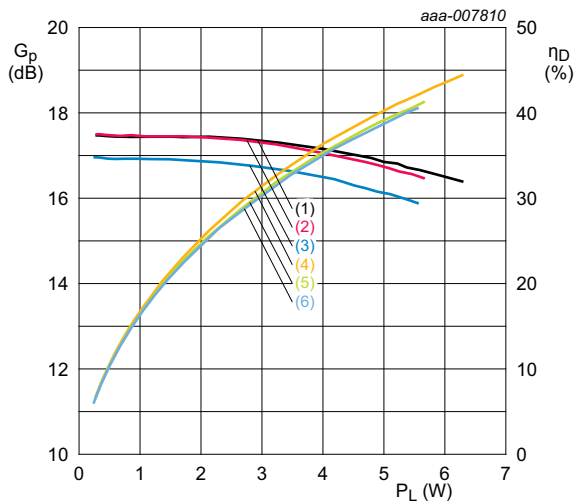
8.1.2 Graphs

8.1.2.1 Pulsed CW





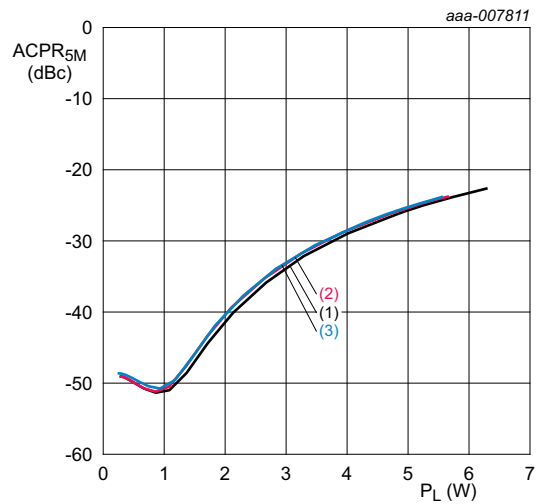
8.1.2.2 2-Carrier W-CDMA



$V_{DS} = 28\text{ V}$; $I_{DQ} = 110\text{ mA}$; $T_{case} = 25\text{ }^\circ\text{C}$;
 carrier spacing = 5 MHz; 46 % clipping; PAR = 8.4 dB at
 0.01 % probability on CCDF.

- (1) G_p at $f = 2110\text{ MHz}$
- (2) G_p at $f = 2140\text{ MHz}$
- (3) G_p at $f = 2170\text{ MHz}$
- (4) η_D at $f = 2110\text{ MHz}$
- (5) η_D at $f = 2140\text{ MHz}$
- (6) η_D at $f = 2170\text{ MHz}$

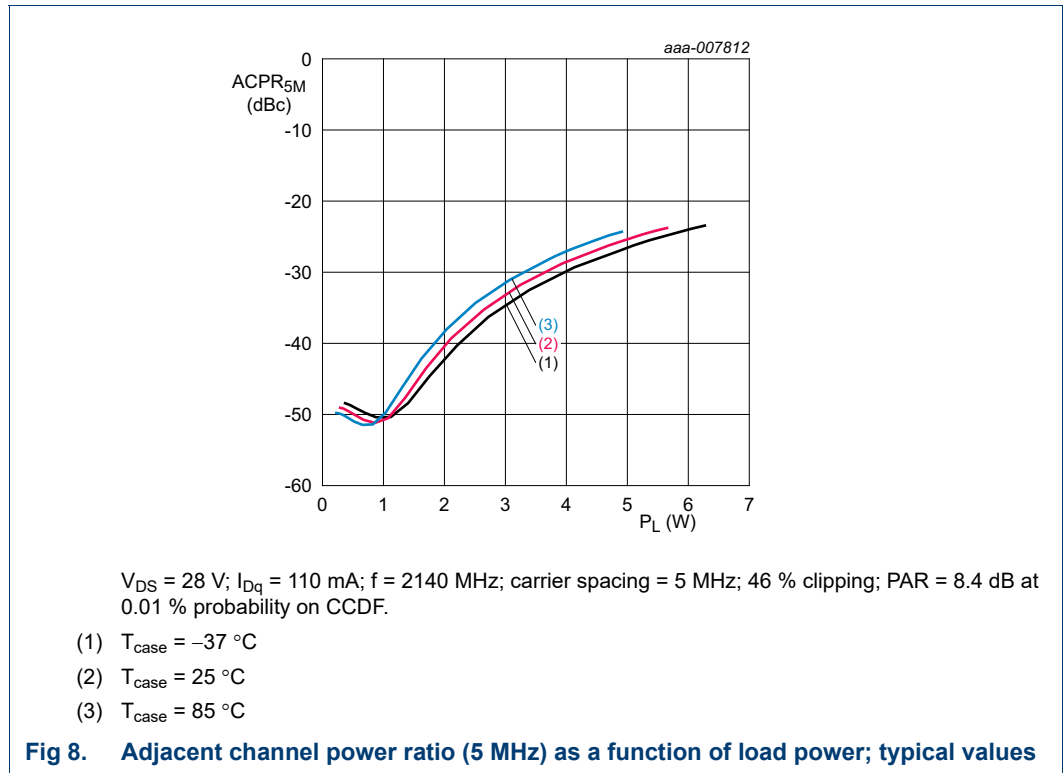
Fig 6. Power gain and drain efficiency as function of load power; typical values



$V_{DS} = 28\text{ V}$; $I_{DQ} = 110\text{ mA}$; $T_{case} = 25\text{ }^\circ\text{C}$;
 carrier spacing = 5 MHz; 46 % clipping; PAR = 8.4 dB at
 0.01 % probability on CCDF.

- (1) $f = 2110\text{ MHz}$
- (2) $f = 2140\text{ MHz}$
- (3) $f = 2170\text{ MHz}$

Fig 7. Adjacent channel power ratio (5 MHz) as a function of load power; typical values



8.2 Frequency band 728 MHz to 768 MHz

8.2.1 Application circuit

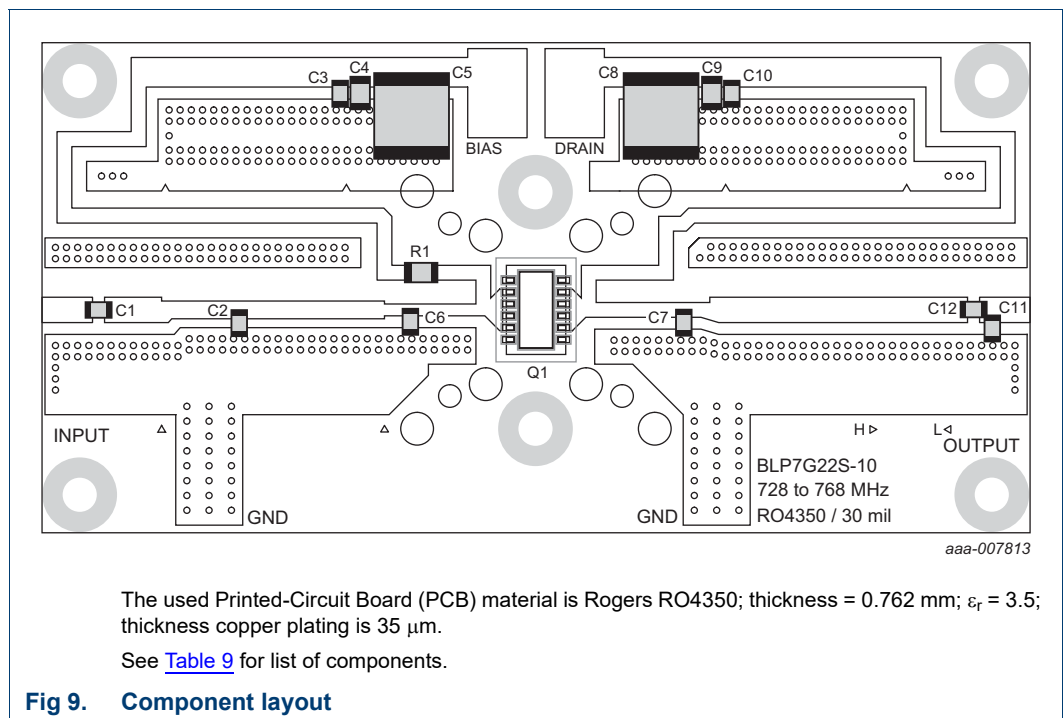


Table 9. List of components

See [Figure 9](#) for component layout.

The used Printed-Circuit Board (PCB) material is Rogers RO4350; thickness = 0.762 mm; $\epsilon_r = 3.5$; thickness copper plating is 35 μm .

Component	Description	Value	Remarks
C1, C12	multilayer ceramic chip capacitor	68 pF	[1]
C2	multilayer ceramic chip capacitor	10 pF	[1]
C3, C10	multilayer ceramic chip capacitor	100 pF	[1]
C4, C9	multilayer ceramic chip capacitor	100 nF	[2]
C5, C8	multilayer ceramic chip capacitor	10 μF ; 50 V	[3]
C6	multilayer ceramic chip capacitor	36 pF	[1]
C7	multilayer ceramic chip capacitor	9.1 pF	[1]
C11	multilayer ceramic chip capacitor	7.5 pF	[1]
R1	chip resistor	5.1 Ω	SMD 0805; 1 % tolerance

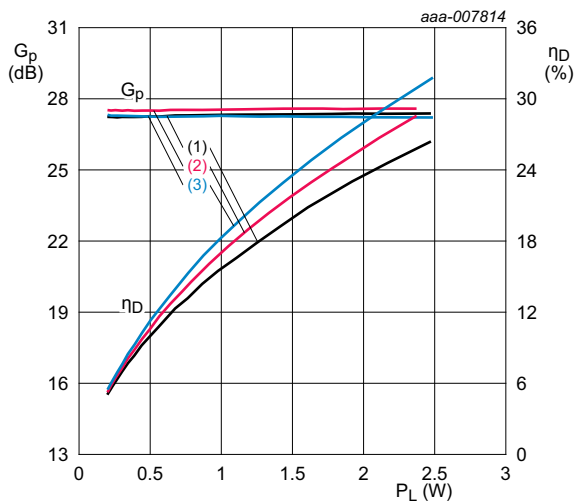
[1] American Technical Ceramics type 100A or capacitor of same quality.

[2] Murata GRM21BR71H104KA01L or capacitor of same quality.

[3] Murata GRM32ER71H106KA88L or capacitor of same quality.

8.2.2 Graphs

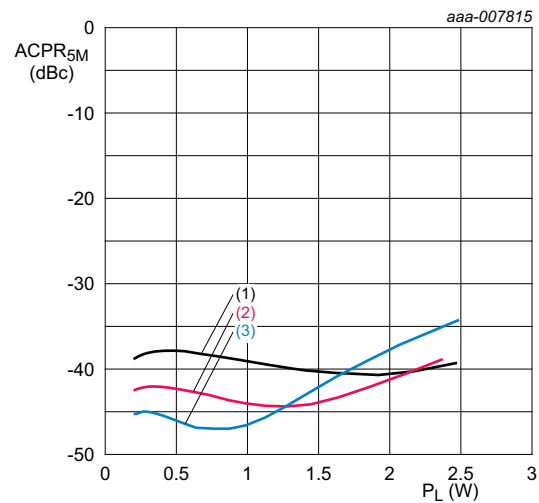
8.2.2.1 2-Carrier W-CDMA



$V_{DS} = 28 \text{ V}$; $I_{DQ} = 110 \text{ mA}$; $T_{case} = 25 \text{ }^\circ\text{C}$;
carrier spacing = 5 MHz; 46 % clipping; PAR = 8.4 dB at 0.01 % probability on CCDF.

- (1) $f = 728 \text{ MHz}$
- (2) $f = 748 \text{ MHz}$
- (3) $f = 768 \text{ MHz}$

Fig 10. Power gain and drain efficiency as function of load power; typical values



$V_{DS} = 28 \text{ V}$; $I_{DQ} = 110 \text{ mA}$; $T_{case} = 25 \text{ }^\circ\text{C}$;
carrier spacing = 5 MHz; 46 % clipping; PAR = 8.4 dB at 0.01 % probability on CCDF.

- (1) $f = 728 \text{ MHz}$
- (2) $f = 748 \text{ MHz}$
- (3) $f = 768 \text{ MHz}$

Fig 11. Adjacent channel power ratio (5 MHz) as a function of load power; typical values

9. Test information

9.1 Ruggedness in class-AB operation

The BLP7G22-10 is capable of withstanding a load mismatch corresponding to $V_{SWR} = 10 : 1$ through all phases under the following conditions: $V_{DS} = 28 \text{ V}$; $I_{Dq} = 110 \text{ mA}$; $P_L = 10 \text{ W}$; frequency from 700 MHz to 2700 MHz.

10. Package outline

HVSON12: plastic thermal enhanced very thin small outline package; no leads;
12 terminals; body 4 x 6 x 0.85 mm

SOT1179-2

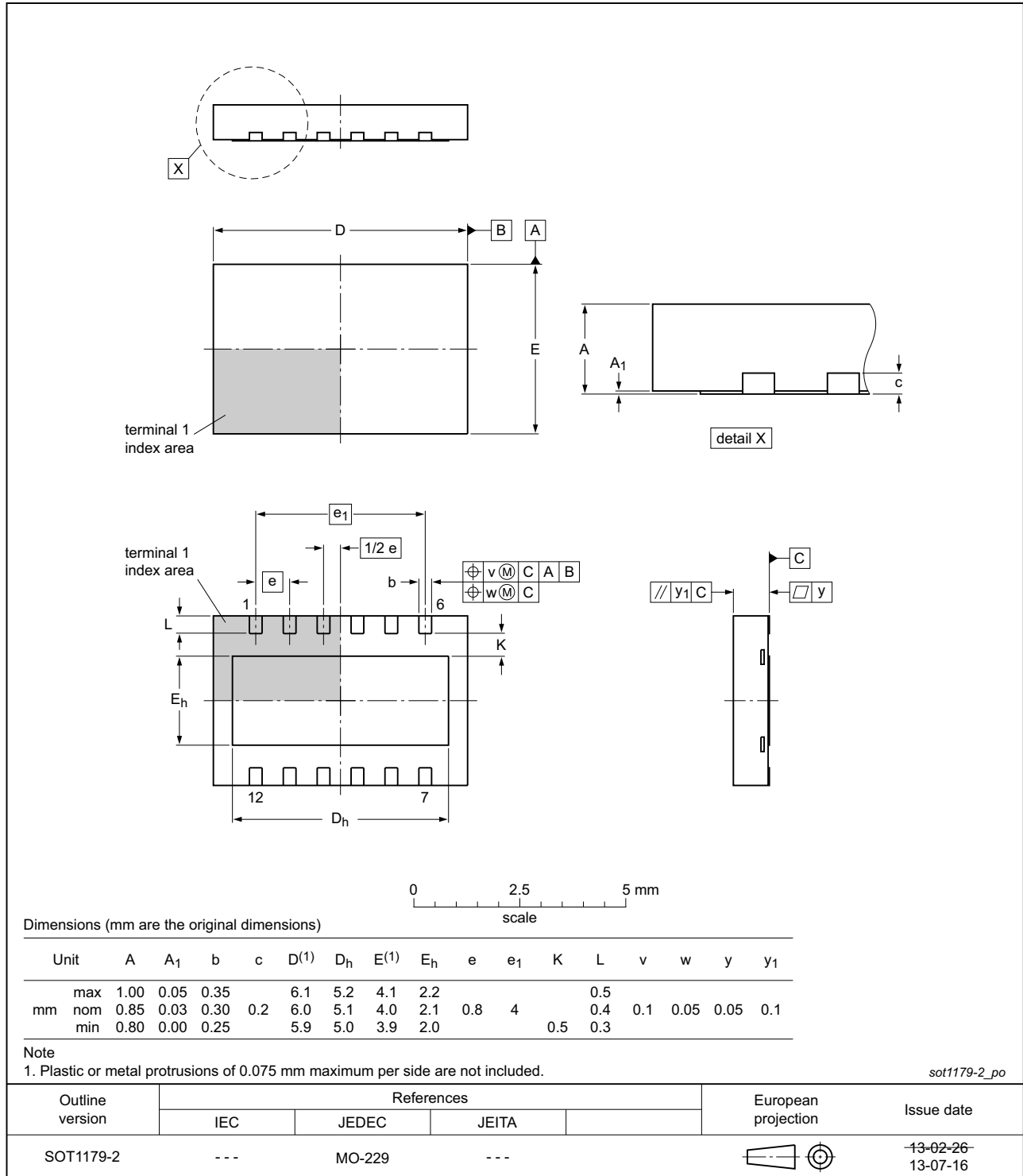


Fig 12. Package outline SOT1179-2 (HVSON12)

11. Handling information

CAUTION



This device is sensitive to ElectroStatic Discharge (ESD). Observe precautions for handling electrostatic sensitive devices.

Such precautions are described in the *ANSI/ESD S20.20*, *IEC/ST 61340-5*, *JESD625-A* or equivalent standards.

12. Abbreviations

Table 10. Abbreviations

Acronym	Description
3GPP	3rd Generation Partnership Project
CCDF	Complementary Cumulative Distribution Function
CDMA	Code Division Multiple Access
CW	Continuous Wave
DPCH	Dedicated Physical CHannel
EDGE	Enhanced Data rates for GSM Evolution
ESD	ElectroStatic Discharge
GSM	Global System for Mobile Communication
LDMOS	Laterally Diffused Metal-Oxide Semiconductor
LTE	Long Term Evolution
MC-GSM	Multi Carrier GSM
PAR	Peak-to-Average Ratio
SMD	Surface Mounted Device
VSWR	Voltage Standing-Wave Ratio
W-CDMA	Wideband Code Division Multiple Access
WiMAX	Worldwide Interoperability for Microwave Access

13. Revision history

Table 11. Revision history

Document ID	Release date	Data sheet status	Change notice	Supersedes
BLP7G22-10#3	20150901	Product data sheet		BLP7G22-10 v.2
Modifications:	<ul style="list-style-type: none"> The format of this document has been redesigned to comply with the new identity guidelines of Ampleon. Legal texts have been adapted to the new company name where appropriate. 			
BLP7G22-10 v.2	20130530	Product data sheet	-	BLP7G22-10 v.1
BLP7G22-10 v.1	20120213	Objective data sheet	-	-

14. Legal information

14.1 Data sheet status

Document status ^{[1][2]}	Product status ^[3]	Definition
Objective [short] data sheet	Development	This document contains data from the objective specification for product development.
Preliminary [short] data sheet	Qualification	This document contains data from the preliminary specification.
Product [short] data sheet	Production	This document contains the product specification.

[1] Please consult the most recently issued document before initiating or completing a design.

[2] The term 'short data sheet' is explained in section "Definitions".

[3] The product status of device(s) described in this document may have changed since this document was published and may differ in case of multiple devices. The latest product status information is available on the Internet at URL <http://www.ampleon.com>.

14.2 Definitions

Draft — The document is a draft version only. The content is still under internal review and subject to formal approval, which may result in modifications or additions. Ampleon does not give any representations or warranties as to the accuracy or completeness of information included herein and shall have no liability for the consequences of use of such information.

Short data sheet — A short data sheet is an extract from a full data sheet with the same product type number(s) and title. A short data sheet is intended for quick reference only and should not be relied upon to contain detailed and full information. For detailed and full information see the relevant full data sheet, which is available on request via the local Ampleon sales office. In case of any inconsistency or conflict with the short data sheet, the full data sheet shall prevail.

Product specification — The information and data provided in a Product data sheet shall define the specification of the product as agreed between Ampleon and its customer, unless Ampleon and customer have explicitly agreed otherwise in writing. In no event however, shall an agreement be valid in which the Ampleon product is deemed to offer functions and qualities beyond those described in the Product data sheet.

14.3 Disclaimers

Limited warranty and liability — Information in this document is believed to be accurate and reliable. However, Ampleon does not give any representations or warranties, expressed or implied, as to the accuracy or completeness of such information and shall have no liability for the consequences of use of such information. Ampleon takes no responsibility for the content in this document if provided by an information source outside of Ampleon.

In no event shall Ampleon be liable for any indirect, incidental, punitive, special or consequential damages (including - without limitation - lost profits, lost savings, business interruption, costs related to the removal or replacement of any products or rework charges) whether or not such damages are based on tort (including negligence), warranty, breach of contract or any other legal theory.

Notwithstanding any damages that customer might incur for any reason whatsoever, Ampleon' aggregate and cumulative liability towards customer for the products described herein shall be limited in accordance with the *Terms and conditions of commercial sale* of Ampleon.

Right to make changes — Ampleon reserves the right to make changes to information published in this document, including without limitation specifications and product descriptions, at any time and without notice. This document supersedes and replaces all information supplied prior to the publication hereof.

Suitability for use — Ampleon products are not designed, authorized or warranted to be suitable for use in life support, life-critical or safety-critical systems or equipment, nor in applications where failure or malfunction of an

Ampleon product can reasonably be expected to result in personal injury, death or severe property or environmental damage. Ampleon and its suppliers accept no liability for inclusion and/or use of Ampleon products in such equipment or applications and therefore such inclusion and/or use is at the customer's own risk.

Applications — Applications that are described herein for any of these products are for illustrative purposes only. Ampleon makes no representation or warranty that such applications will be suitable for the specified use without further testing or modification.

Customers are responsible for the design and operation of their applications and products using Ampleon products, and Ampleon accepts no liability for any assistance with applications or customer product design. It is customer's sole responsibility to determine whether the Ampleon product is suitable and fit for the customer's applications and products planned, as well as for the planned application and use of customer's third party customer(s). Customers should provide appropriate design and operating safeguards to minimize the risks associated with their applications and products.

Ampleon does not accept any liability related to any default, damage, costs or problem which is based on any weakness or default in the customer's applications or products, or the application or use by customer's third party customer(s). Customer is responsible for doing all necessary testing for the customer's applications and products using Ampleon products in order to avoid a default of the applications and the products or of the application or use by customer's third party customer(s). Ampleon does not accept any liability in this respect.

Limiting values — Stress above one or more limiting values (as defined in the Absolute Maximum Ratings System of IEC 60134) will cause permanent damage to the device. Limiting values are stress ratings only and (proper) operation of the device at these or any other conditions above those given in the Recommended operating conditions section (if present) or the Characteristics sections of this document is not warranted. Constant or repeated exposure to limiting values will permanently and irreversibly affect the quality and reliability of the device.

Terms and conditions of commercial sale — Ampleon products are sold subject to the general terms and conditions of commercial sale, as published at <http://www.ampleon.com/terms>, unless otherwise agreed in a valid written individual agreement. In case an individual agreement is concluded only the terms and conditions of the respective agreement shall apply. Ampleon hereby expressly objects to applying the customer's general terms and conditions with regard to the purchase of Ampleon products by customer.

No offer to sell or license — Nothing in this document may be interpreted or construed as an offer to sell products that is open for acceptance or the grant, conveyance or implication of any license under any copyrights, patents or other industrial or intellectual property rights.

Export control — This document as well as the item(s) described herein may be subject to export control regulations. Export might require a prior authorization from competent authorities.

Non-automotive qualified products — Unless this data sheet expressly states that this specific Ampleon product is automotive qualified, the product is not suitable for automotive use. It is neither qualified nor tested in accordance with automotive testing or application requirements. Ampleon accepts no liability for inclusion and/or use of non-automotive qualified products in automotive equipment or applications.

In the event that customer uses the product for design-in and use in automotive applications to automotive specifications and standards, customer (a) shall use the product without Ampleon' warranty of the product for such automotive applications, use and specifications, and (b) whenever customer uses the product for automotive applications beyond Ampleon' specifications such use shall be solely at customer's own risk, and (c) customer fully indemnifies Ampleon for any liability, damages or failed product claims resulting from customer design and use of the product for automotive applications beyond Ampleon' standard warranty and Ampleon' product specifications.

Translations — A non-English (translated) version of a document is for reference only. The English version shall prevail in case of any discrepancy between the translated and English versions.

15. Contact information

For more information, please visit:
<http://www.ampleon.com>

14.4 Trademarks

Notice: All referenced brands, product names, service names and trademarks are the property of their respective owners.

Any reference or use of any 'NXP' trademark in this document or in or on the surface of Ampleon products does not result in any claim, liability or entitlement vis-à-vis the owner of this trademark. Ampleon is no longer part of the NXP group of companies and any reference to or use of the 'NXP' trademarks will be replaced by reference to or use of Ampleon's own Any reference or use of any 'NXP' trademark in this document or in or on the surface of Ampleon products does not result in any claim, liability or entitlement vis-à-vis the owner of this trademark. Ampleon is no longer part of the NXP group of companies and any reference to or use of the 'NXP' trademarks will be replaced by reference to or use of Ampleon's own trademarks.

For sales office addresses, please visit:
<http://www.ampleon.com/sales>

16. Contents

1 Product profile 1

1.1 General description 1

1.2 Features and benefits 1

1.3 Applications 1

2 Pinning information 2

3 Ordering information 2

4 Limiting values 2

5 Recommended operating conditions 3

6 Thermal characteristics 3

7 Characteristics 3

8 Application information 4

8.1 Frequency band 2110 MHz to 2170 MHz 4

8.1.1 Application circuit 4

8.1.2 Graphs 5

8.1.2.1 Pulsed CW 5

8.1.2.2 2-Carrier W-CDMA 7

8.2 Frequency band 728 MHz to 768 MHz 8

8.2.1 Application circuit 8

8.2.2 Graphs 9

8.2.2.1 2-Carrier W-CDMA 9

9 Test information 10

9.1 Ruggedness in class-AB operation 10

10 Package outline 11

11 Handling information 12

12 Abbreviations 12

13 Revision history 12

14 Legal information 13

14.1 Data sheet status 13

14.2 Definitions 13

14.3 Disclaimers 13

14.4 Trademarks 14

15 Contact information 14

16 Contents 15

Please be aware that important notices concerning this document and the product(s) described herein, have been included in section 'Legal information'.

© Ampleon The Netherlands B.V. 2015. All rights reserved.

For more information, please visit: <http://www.ampleon.com>
 For sales office addresses, please visit: <http://www.ampleon.com/sales>

Date of release: 1 September 2015
 Document identifier: BLP7G22-10#3