



Chipsmall Limited consists of a professional team with an average of over 10 year of expertise in the distribution of electronic components. Based in Hongkong, we have already established firm and mutual-benefit business relationships with customers from,Europe,America and south Asia,supplying obsolete and hard-to-find components to meet their specific needs.

With the principle of “Quality Parts,Customers Priority,Honest Operation,and Considerate Service”,our business mainly focus on the distribution of electronic components. Line cards we deal with include Microchip,ALPS,ROHM,Xilinx,Pulse,ON,Everlight and Freescale. Main products comprise IC,Modules,Potentiometer,IC Socket,Relay,Connector.Our parts cover such applications as commercial,industrial, and automotives areas.

We are looking forward to setting up business relationship with you and hope to provide you with the best service and solution. Let us make a better world for our industry!



## Contact us

Tel: +86-755-8981 8866 Fax: +86-755-8427 6832

Email & Skype: info@chipsmall.com Web: www.chipsmall.com

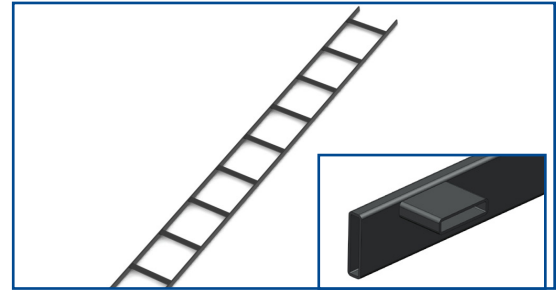
Address: A1208, Overseas Decoration Building, #122 Zhenhua RD., Futian, Shenzhen, China



### Cable Runway

Universal-style 250 cable runway. The maximum load capacity when supported every 5' with minimal deflection is 132 Lbs/ft. Welded steel tubing construction, individually boxed.

- Overall length = 10'
- Side stringer = 1.5" x 0.375" x 0.065"
- Cross member = 1.5" x 0.375" x 0.065" welded at 12" intervals
- Available in black (B) or white (W) powder coated finish

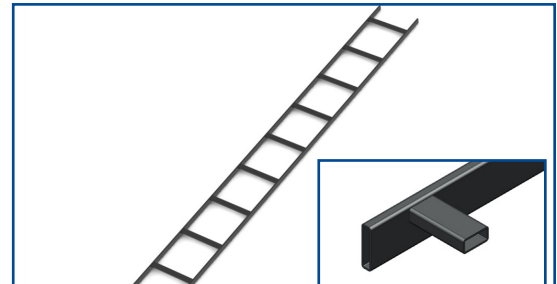


Part Number		Width	Shipping Weight
Black Finish	White Finish		
<b>BLRS250-06B</b>	<b>BLRS250-06W</b>	6"	19 Lbs
<b>BLRS250-12B</b>	<b>BLRS250-12W</b>	12"	24 Lbs
<b>BLRS250-18B</b>	<b>BLRS250-18W</b>	18"	28 Lbs
<b>BLRS250-24B</b>	<b>BLRS250-24W</b>	24"	32 Lbs
<b>BLRS250-30B</b>	<b>BLRS250-30W</b>	30"	37 Lbs
<b>BLRS250-36B</b>	<b>BLRS250-36W</b>	36"	42 Lbs

### Telco-Style Cable Runway

Telco-style 252 cable runway. The maximum load capacity when supported every 5' with minimal deflection is 132 Lbs/ft. Welded steel tubing construction, individually boxed.

- Overall length = 10'
- Side stringer = 1.5" x 0.375" x 0.065"
- Cross member = 0.5" x 1" x 0.065" welded at 9" intervals
- Available in black (B) or white (W) powder coated finish

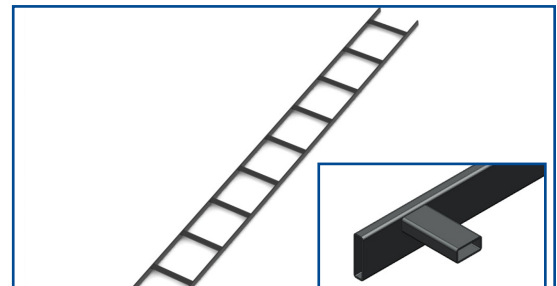


Part Number		Width	Shipping Weight
Black Finish	White Finish		
<b>BLRT252-06B</b>	<b>BLRT252-06W</b>	6"	22 Lbs
<b>BLRT252-12B</b>	<b>BLRT252-12W</b>	12"	24 Lbs
<b>BLRT252-18B</b>	<b>BLRT252-18W</b>	18"	26 Lbs
<b>BLRT252-24B</b>	<b>BLRT252-24W</b>	24"	28 Lbs

### UL Classified Cable Runway

UL Classified style 275 cable runway. The maximum load capacity when supported every 5' with minimal deflection is 132 Lbs/ft. Welded steel tubing construction, individually boxed.

- Overall length = 10'
- Side stringer = 1.5" x 0.375" x 0.065"
- Cross member = 0.5" x 1" x 0.065" welded at 9" intervals
- Available in black (B) or gold (G) chemical finish over zinc plating



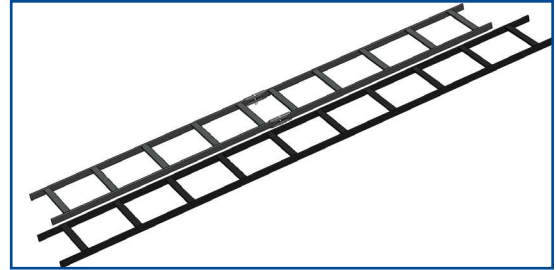
Part Number		Width	Shipping Weight
Black Finish	Gold Finish		
<b>BLRU275-06B</b>	<b>BLRU275-06G</b>	6"	19 Lbs
<b>BLRU275-12B</b>	<b>BLRU275-12G</b>	12"	24 Lbs
<b>BLRU275-18B</b>	<b>BLRU275-18G</b>	18"	28 Lbs
<b>BLRU275-24B</b>	<b>BLRU275-24G</b>	24"	32 Lbs



### Quick Ship Cable Runway Bundle

Designed to meet UPS small package shipping requirements.

- (Qty = 2) 5' Universal cable runway; combined length is 10'
- (Qty = 1) Butt-Splice Kit Part Number **BLBS301-15B**
- Available in black (B)



Part Number	Width	Shipping Weight
<b>Black Finish</b>		
<b>BLRQ250-06B</b>	6"	19 Lbs
<b>BLRQ250-12B</b>	12"	23 Lbs

### Cable Runway Radius Bend

Creates a gradual bend for cascading cable runs.

- Made of 1.5" x 0.375" tubular steel
- Three cross members welded at approximately 23° increments
- Outside/inside is determined by welding cross members closer to cable side
- Available in black (B) or white (W) powder coated finish

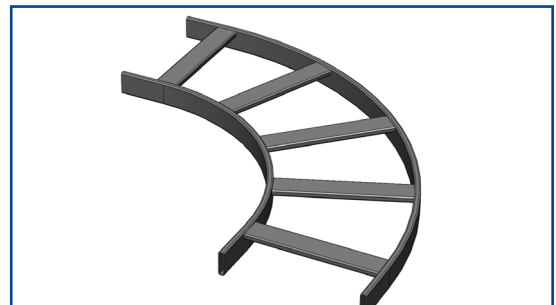


Part Number		Width	Shipping Weight
Black Finish	White Finish		
<b>BLOR723-06B / BLIR724-06B</b>	<b>BLOR723-06W / BLIR724-06W</b>	6"	3 Lbs
<b>BLOR723-12B / BLIR724-12B</b>	<b>BLOR723-12W / BLIR724-12W</b>	12"	4 Lbs
<b>BLOR723-18B / BLIR724-18B</b>	<b>BLOR723-18W / BLIR724-18W</b>	18"	5 Lbs
<b>BLOR723-24B / BLIR724-24B</b>	<b>BLOR723-24W / BLIR724-24W</b>	24"	6 Lbs
<b>BLOR723-30B / BLIR724-30B</b>	<b>BLOR723-30W / BLIR724-30W</b>	30"	7 Lbs
<b>BLOR723-36B / BLIR724-36B</b>	<b>BLOR723-36W / BLIR724-36W</b>	36"	8 Lbs

### Cable Runway E-Bend

Creates a 90° gradual sweep in horizontal plane for cable runway runs. Designed for cabling in conformance with minimum bend radius requirements (typically four times the cable diameter). Made of lightweight 1.5" x 0.375" tubular steel to fit standard cable runway.

- Cross members welded at approximately 23° increments
- Conforms to Category 5e/6/6A requirements
- Available in black (B) or white (W) powder coated finish



Part Number		Width	Shipping Weight
Black Finish	White Finish		
<b>BLEB822-12B</b>	<b>BLEB822-12W</b>	12"	12 Lbs
<b>BLEB822-18B</b>	<b>BLEB822-18W</b>	18"	19 Lbs
<b>BLEB822-24B</b>	<b>BLEB822-24W</b>	24"	27 Lbs





### Cable Runway Wall to Rack Kit

The Belden cable runway Wall to Rack Kit is a one-part-number solution that provides support for cable between the rack and the wall.

Kit consists of:

- (Qty = 1) 54" cable runway
- (Qty = 1) Wall angle support bracket
- (Qty = 1) Rack to runway mounting plate
- (Qty = 1) Pair of end caps
- (Qty = 3) J-bolt kits (**BLJBK-001**)
- Available in black (B) or white (W) powder coated finish



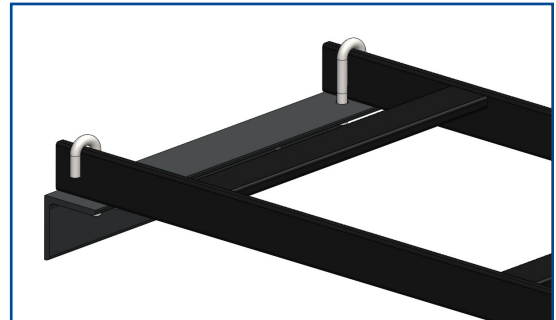
Part Number		Description	Shipping Weight
Black Finish	White Finish		
Compatible with 3" wide upright equipment rack			
<b>BLRW250-06B</b>	<b>BLRW250-06W</b>	6" Wall to Rack Kit	16 Lbs
<b>BLRW250-12B</b>	<b>BLRW250-12W</b>	12" Wall to Rack Kit	19 Lbs

### Wall Angle Support Kit, Cable Runway

2" x 2" x 3/16" (7 Gauge) steel support angle is designed for wall-mounting specific widths of cable runway.

Kit consists of:

- (Qty = 1) wall angle
- (Qty = 2) 5/16"-18 x 2.25" J-bolts
- (Qty = 2) 5/16"-18 hex nuts
- (Qty = 2) 5/16" lock washers
- Available in black (B)



Part Number	Width	Shipping Weight
Black Finish		
<b>BLWAS421-06B</b>	6"	2 Lbs
<b>BLWAS421-12B</b>	12"	3 Lbs
<b>BLWAS421-18B</b>	18"	5 Lbs
<b>BLWAS421-24B</b>	24"	6 Lbs

### Butt-Splice Kit

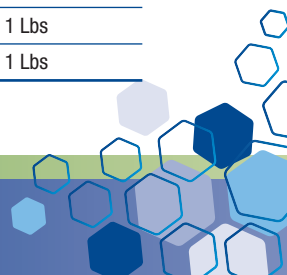
Connect two sections of runway end-to-end. Fits both solid and tubular steel 1.5" x 0.375" and 2" x 0.375".

Kit consists of:

- (Qty = 4) splice plates
- (Qty = 2) 3/8"-16 trimmed head bolts
- (Qty = 2) 3/8"-16 hex nuts
- Available in black (B) and white (W) for non UL, available in black (B) and gold (G) for UL



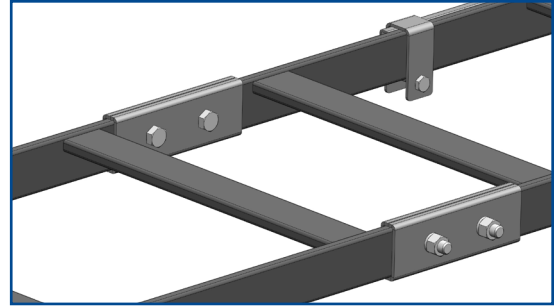
Part Number			Description	Shipping Weight
Black Finish	White Finish	Gold Finish		
<b>BLBS301-15B</b>	<b>BLBS301-15W</b>	-	1.5" x 0.375" (for Universal and Telco style)	1 Lbs
<b>BLBS301-20B</b>	<b>BLBS301-20W</b>	-	2" x 0.375"	1 Lbs
<b>BLBSU301-15B</b>	-	<b>BLBSU301-15G</b>	1.5" x 0.375" (for UL style)	1 Lbs



### Heavy-Duty Butt-Splice Kit

For butting two lengths of runway together. Cable runway drilling is required.

- Bolt through Butt-Splice Kit for earthquake areas  
Kit consists of:
  - (Qty = 4) splice plates for 1.5" stringers
  - (Qty = 4) 3/8"-16 x 1.25" cap screws
  - (Qty = 4) 3/8"-16 hex nuts
  - Available in black (B)



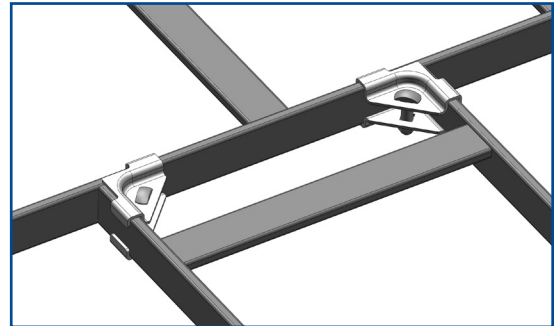
Part Number	Width	Shipping Weight
Black Finish		
<b>BLBSH299-15B</b>	Heavy-Duty Butt-Splice Kit	3 Lbs
<b>BLBSHU299-15B</b>	UL Classified Butt-Splice Kit	3 Lbs

### Junction-Splice Kit

Used to create a 90° junction splice with all types of 1.5" x 0.375" or 2" x 0.375" cable runway.

Kit consists of:

- (Qty = 4) corner clamp plates
- (Qty = 2) 3/8"-16 x 1" long trimmed head bolts
- (Qty = 2) 3/8"-16 hex nuts
- (Qty = 2) 3/8" split lock washers
- Available in black (B)



Part Number	Width	Shipping Weight
Black Finish		
<b>BLJS302-15B</b>	Junction-Splice Kit 1.5" x 0.375" Stringer	1 Lbs
<b>BLJS302-20B</b>	Junction-Splice Kit 2" x 0.375" Stringer	1 Lbs
<b>BLJSU302-15B</b>	UL Classified Junction Kit 1.5" x 0.375" Stringer	1 Lbs

### Heavy-Duty Junction-Splice Kit

Bolt-through Junction-Splice Kit for vertical runs or seismic requirements. Cable runway drilling is required.

- Material is 2" x 2" x 0.1875" steel angle  
Kit consists of:
  - (Qty = 2) splice angles
  - (Qty = 4) 3/8"-16 x 1.25" hex cap screws
  - (Qty = 4) 3/8"-16 hex nuts
  - (Qty = 4) 3/8"-16 split lock washers
  - Available in black (B)



Part Number	Width	Shipping Weight
Black Finish		
<b>BLJSH298-15B</b>	Heavy-Duty Junction Kit	3 Lbs
<b>BLJSHU298-15B</b>	UL Classified Junction Kit	3 Lbs



### 90° Runway-Splice Kit

Designed to butt splice 1.5" x 0.375" cable runway at a 90° angle.

Kit consists of:

- (Qty = 2) 90° outside clamps
- (Qty = 2) inside edge clamps
- (Qty = 2) 3/8"-16 x 2.50" trimmed round head, square neck bolts
- (Qty = 2) 3/8"-16 hex nut and lock washer
- Available in black (B)



Part Number	Width	Shipping Weight
Black Finish		
<b>BLRSK314-90B</b>	90° Runway-Splice Kit	1 Lbs
<b>BLRSK314-9UB</b>	90° Runway-Splice Kit UL Classified	1 Lbs

### 45° Runway-Splice Kit

Designed to butt splice 1.5" x 0.375" cable runway at a 45° angle.

Kit consists of:

- (Qty = 2) 45° outside clamps
- (Qty = 2) inside edge clamps
- (Qty = 2) 3/8"-16 trimmed round head, square neck bolts
- Available in black (B)



Part Number	Width	Shipping Weight
Black Finish		
<b>BLRSK313-45B</b>	45° Runway-Splice Kit	1 Lbs
<b>BLRSK313-4UB</b>	45° Runway-Splice Kit UL Classified	1 Lbs

### Adjustable Junction-Splice Kit

Designed for use with 1.5" x 0.375" cable runway, adjusts to form any junction angle, electrical, etc.

Kit consists of:

- (Qty = 4) adjustable corner plates
- (Qty = 2) 3/8"-16 x 2" hex cap screws
- (Qty = 2) 3/8"-16 hex nuts
- (Qty = 2) 3/8"-16 split lock washers
- Available in black (B)

Note: Requires one kit to attach one end of cable runway



Part Number	Width	Shipping Weight
Black Finish		
<b>BLAJS616-00B</b>	Adjustable Junction-Splice Kit	2 Lbs



## Swivel Splice Kits

Splices cable runway vertically, horizontally or perpendicularly. Adjusts to any angle, not limited to 45° or 90°. Flexible swivel design simplifies cable runway installation by making it easier to route around existing plumbing, electrical, etc. Steel material. Hardware and instructions are included.

Butt-Swivel (487) Kit consists of:

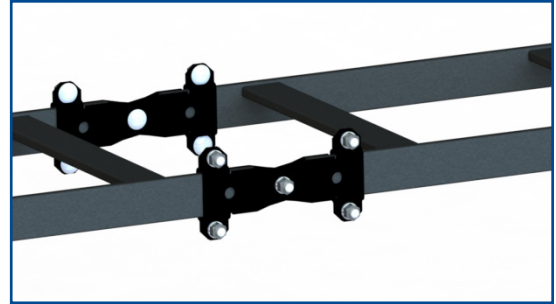
- (Qty = 8) bracket ends
- (Qty = 8) 5/16"-18 x 0.75" round head square, neck bolts
- (Qty = 2) 5/16"-18 x 1" round head square, neck bolts
- (Qty = 10) 5/16"-18 x 1" hex nuts, split lock washers
- Available in black (B)

Junction-Swivel (488) Kit consists of:

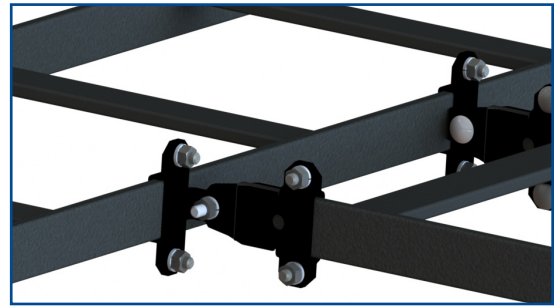
- (Qty = 4) bracket ends
- (Qty = 2) bracket supports and plate clamps
- (Qty = 2) 5/16"-18 x 1" round head square, neck bolts
- (Qty = 8) 5/16"-18 x 0.75" round head square, neck bolts
- (Qty = 10) 5/16"-18 hex nut, split lock washers
- Available in black (B)

Vertical-Swivel (489) Kit consists of:

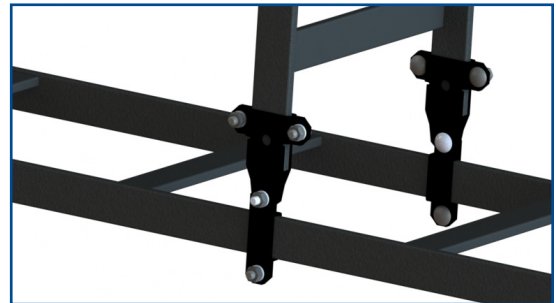
- (Qty = 4) bracket ends
- (Qty = 2) bracket clamps and plate clamps
- (Qty = 2) 5/16"-18 x 1" round head, square neck bolts
- (Qty = 6) 5/16"-18 x 0.75" round head, square neck bolts
- (Qty = 8) 5/16"-18 hex nuts, split lock washers
- Available in black (B)



Butt Swivel



Junction Swivel



Vertical Swivel

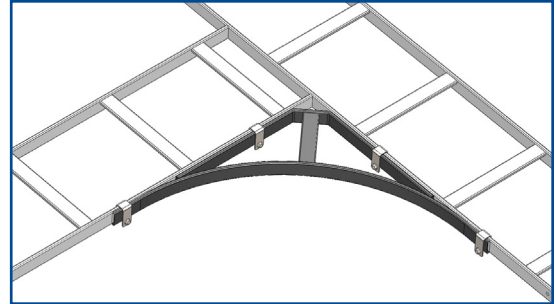
Part Number	Description	Shipping Weight
Black Finish		
<b>BLBSS487-00B</b>	Butt-Swivel Splice Kit	1 Lbs
<b>BLJSS488-00B</b>	Junction-Swivel Splice Kit	1 Lbs
<b>BLVBS489-00B</b>	Vertical-Swivel Splice Kit	1 Lbs
<b>BLBSS487-0UB</b>	UL Classified Butt-Swivel Splice Kit	1 Lbs
<b>BLBSS488-0UB</b>	UL Classified Junction-Swivel Splice Kit	1 Lbs
<b>BLVBS489-0UB</b>	UL Classified Vertical-Swivel Splice Kit	1 Lbs



### Cable Runway Corner Bracket

Creates a radius for L-, T- or X-shaped intersections of cable runway formed when two or more pieces of cable runway are connected together with the Junction-Splice Kit (**BLJS302-15B** or **BLJSU302-15B**) or Heavy-Duty Junction-Splice Kit (**BLJSH298-15B**).

- Single-piece welded assembly fabricated from 0.375" x 1.5" x 0.065" wall rectangular steel tubing
- Easy installation; brackets/hardware included
- Available in black (B) or white (W) powder coated finish



DIM		BLCSB959-15B	BLCSB959-24B
A		15"	24"
B		15"	24"

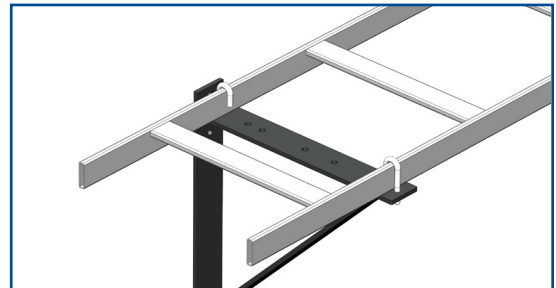
Part Number		Description	Shipping Weight
Black Finish	White Finish		
<b>BLCSB959-15B</b>	<b>BLCSB959-15W</b>	15" Corner Bracket	4 Lbs
<b>BLCSB959-24B</b>	<b>BLCSB959-24W</b>	24" Corner Bracket	6 Lbs

### Triangular Support Bracket, Aluminum

Provides wall support for cable runway. Made of 0.25" x 2" aluminum bar. Load rating is 100 Lbs.

Kit consists of:

- (Qty = 1) triangular bracket
- (Qty = 2) 5/16"-18 x 2.25" J-bolts
- (Qty = 2) 5/16"-18 hex nuts & split washers
- Available in black (B)



Part Number	Width	Shipping Weight
Black Finish		
<b>BLTSB312-06B</b>	4" to 6"	2 Lbs
<b>BLTSB312-12B</b>	6" to 12"	3 Lbs
<b>BLTSB312-18B</b>	12" to 18"	3 Lbs

### Triangular Support Bracket, Steel

Provides wall support for cable runway. Made of cold-rolled steel. Load rating is 400 Lbs.

Kit consists of:

- (Qty = 1) vertical wall-mounting bracket
- (Qty = 1) runway support channel
- (Qty = 1) angle support channel
- (Qty = 3) clevis pins (5/16" diameter) & cotter pins
- (Qty = 2) 5/16"-18 x 2.25" J-bolts
- (Qty = 2) 5/16"-18 x hex nuts & split washers
- Available in black (B)



Part Number	Width	Shipping Weight
Black Finish		
<b>BLTSB746-12B</b>	6" to 12"	5 Lbs
<b>BLTSB746-18B</b>	18"	8 Lbs
<b>BLTSB746-24B</b>	24"	9 Lbs





### 3" Channel Rack-to-Runway Mounting Plate

Secures cable runway to the top of standard rack and universal rack. Mounts either parallel or perpendicular.

- Material is 11 gauge steel

Installation best practice includes Runway Elevation Kit.

Kit consists of:

- (Qty = 1) mounting plate
- (Qty = 4) 5/16"-18 x 2.25" J-bolts
- (Qty = 4) 5/16"-18 hex nuts
- (Qty = 4) 5/16" split lock washer
- Available in black (B)



Part Number Black Finish	Width	Shipping Weight
<b>BLRTR595-9B</b>	9" - 12"	3 Lbs
<b>BLRTR595-15B</b>	15" - 18"	4 Lbs

### Cable Runway Elevation Kit

Supports cable runway above a continuous row of two and four post racks or cabinets of varying heights, and provides additional space between the tops of the racks or cabinets and the cable runway, which can create smoother cable transitions.

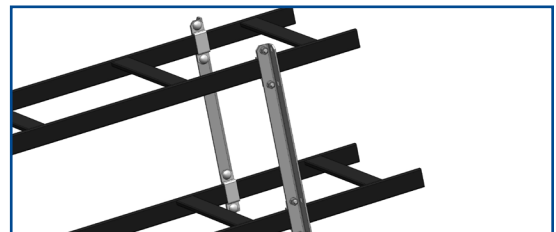
- Three ranges of incremental elevation
- Can be mounted perpendicular or parallel
- Rack kit includes a single pair of brackets and assembly hardware
- Rack kits attach to the top of the rack with a Rack-to-Runway Mounting Plate (**BLRTR595-9B, -15B**), sold separately
- Cabinet kits include two pairs of brackets and assembly hardware
- Cabinet kits attach directly to the top of the cabinet
- Available in black (B)



Rack Black Finish	Shipping Weight	Cabinet Black Finish	Shipping Weight
2", 2.5", 3" Elevation			
<b>BLREK506-02B</b>	2 Lbs	<b>BLREK506-12B</b>	2 Lbs
4", 5", 6" Elevation			
<b>BLREK506-04B</b>	2.4 Lbs	<b>BLREK506-16B</b>	2.4 Lbs
10", 11", 12" Elevation			
<b>BLREK506-10B</b>	3 Lbs	<b>BLREK506-18B</b>	3 Lbs

### Cable Runway Standoff Support Kit

Allows the attachment of cable runway 12" directly above and either parallel or perpendicular to existing cable runway. Each kit consists of the following items: two steel angle pieces, four steel brackets and eight sets of nuts, bolts and washers. The angle pieces are black.



Part Number Black Finish	Description	Shipping Weight
<b>BLRSS470-12B</b>	12" Standoff Support Kit	1 Lbs

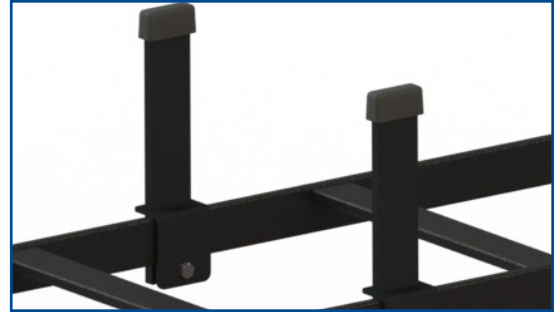


### Retaining Post For Cable

The retaining post is compatible with Universal, Telco and UL runways and allow for extra cable routing capacity.

Kit consists of:

- (Qty = 1) Post, bracket, and end cap
- (Qty = 1) 1/4"-20 x 1.25" hex cap screw, split lock washer and hex nut
- Available in black (B)



Part Number	Description	Shipping Weight
<b>Black Finish</b>		
<b>BLCRP596-06B</b>	Cable Retaining Post, 6", Qty = 1	1 Lbs
<b>BLCRP596-56B</b>	Cable Retaining Post, 6", Qty = 50	29 Lbs

### Cable Runway Closing Kit

The cable runway closing kit is used to the close end of a runway. Compatible with Universal style 250, Telco style 252 and UL style 275.

Kit consists of:

- (Qty = 1) end closing bar
- (Qty = 4) corner clamp plates
- (Qty = 2) 3/8"-16 x 1.25" bolts
- (Qty = 2) 3/8" hex nuts
- Available in black (B), white (W) or gold (G) chemical finish over zinc plating



Part Number			Width	Shipping Weight
Black Finish	White Finish	Gold Finish		
<b>BLCKE700-06B</b>	<b>BLCKE700-06W</b>	<b>BLCKE700-06G</b>	6"	2 Lbs
<b>BLCKE700-12B</b>	<b>BLCKE700-12W</b>	<b>BLCKE700-12G</b>	12"	3 Lbs
<b>BLCKE700-18B</b>	<b>BLCKE700-18W</b>	<b>BLCKE700-18G</b>	18"	4 Lbs
<b>BLCKE700-24B</b>	<b>BLCKE700-24W</b>	<b>BLCKE700-24G</b>	24"	5 Lbs

### Cable Runway End Cap

Covers, protect exposed end of runway. Compatible with Universal style 250, Telco style 252 and UL style 275. Black, plastic material.

Kit consists of:

- (Qty = 2) end CAP



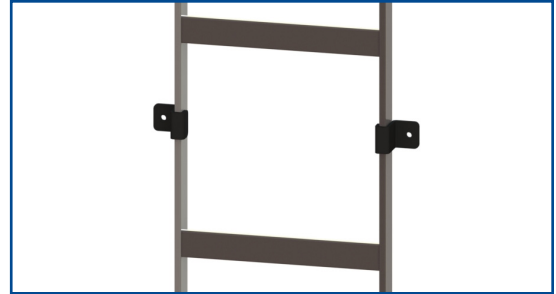
Part Number	Description (Used With:)	Shipping Weight
<b>BLPEC642-002</b>	Protective End Caps for 1.5" X 0.375" Stringer (Pair)	1 Lbs



### Vertical Wall Brackets

Used to secure Cable Runway with 1.5" x 3/8" stringers to a wall. Sold in pairs.

- Wall mounting hardware not included
- Available in black (B)



Part Number	Description	Shipping Weight
<b>Black Finish</b>		
<b>BLVWB608-00B</b>	Vertical Wall Bracket, Pair	1 Lbs

### Cable Runway Pipe Stand

Pipe stand allow support of runway from the floor.

Kit consists of:

- (Qty = 1) floor flange
- (Qty = 1) appropriate length of 2" pipe
- (Qty = 1) pipe cap, center drilled and tapped for a 5/8"-11 threaded rod (**BLTR440**, not included)
- (Qty = 3) 5/8"-11 hex nuts
- (Qty = 3) 5/8" split lock washers
- (Qty = 4) 1/4"-20 x 1.5" studs
- (Qty = 4) 1/4"-20 concrete anchors
- (Qty = 4) 1/4"-20 hex nuts
- (Qty = 4) 1/4" type B washer
- Available in black (B)

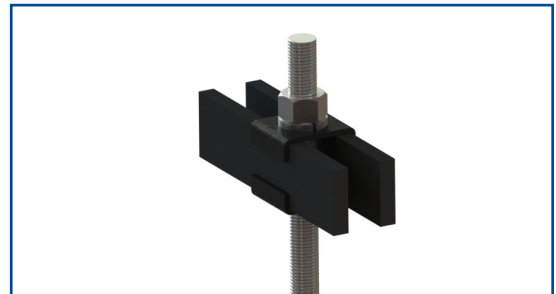


Part Number	Height	Shipping Weight
<b>Black Finish</b>		
<b>BLPSR684-79B</b>	79"	16 Lbs
<b>BLPSR684-85B</b>	85"	18 Lbs
<b>BLPSR684-91B</b>	91"	20 Lbs

### Framing Clamp Kit

Allows runway attachment to pipe stand.

- Include a pair of bracket and hardware
- To install, you will need 5/8" threaded rod (**BLTR440-002**)
- Available in black (B)



Part Number	Description	Shipping Weight
<b>Black Finish</b>		
<b>BLCBK609-001B</b>	Clamp Bracket Kit, Pair	0.3 Lbs



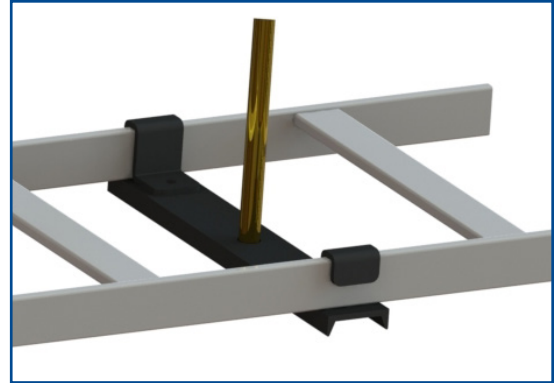
## Runway Center Support Kit

Used to attach cable runway to auxiliary framing.

Kit consists of:

- (Qty = 1) support bracket
- (Qty = 1) reinforcement bar
- (Qty = 2) 5/8"-11 hex nuts
- (Qty = 1) 5/8"-11 split lock washers
- (Qty = 1) 12" L threaded rod cover
- (Qty = 1) J-bolt kit (2 J-bolts; 2 nuts; 2 washers)
- Available in black (B)

Note: Kit does not include threaded rod



Part Number	Description	Shipping Weight
Black Finish		
<b>BLCSK362-06B</b>	Center Support Kit, Cable Runway, 6"	2 Lbs
<b>BLCSK362-12B</b>	Center Support Kit, Cable Runway, 12"	3 Lbs
<b>BLCSK362-18B</b>	Center Support Kit, Cable Runway, 18"	4 Lbs
<b>BLCSK362-24B</b>	Center Support Kit, Cable Runway, 24"	5 Lbs

## Ceiling Attachment Kit

The ceiling attachment kit is used to suspend the runway from the ceiling. Made of steel with gold over zinc plated plating finish.

Kit consists of:

- (Qty = 1) ceiling bracket
- (Qty = 1) 3/8"-16 x 6' or 5/8"-11 x 6' rod
- (Qty = 1) Support bracket for compatible with type 250, 252, 275 style runway
- (Qty = 4) 3/8"-16 or 5/8"-11 hex nuts

Note: The recommended spacing between the ceiling attachment kit is 5'.

The ceiling hole diameter is 0.375" for 0.375" rod kit and 0.500" for 0.625" kit

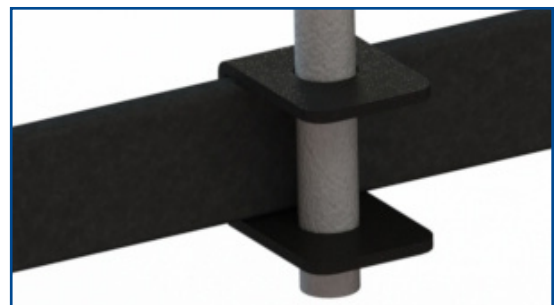


Part Number	Description	Shipping Weight
<b>BLTCK310-38</b>	Ceiling Attachment Kit 3/8" Rod	3 Lbs
<b>BLTCK310-58</b>	Ceiling Attachment Kit 5/8" Rod	7 Lbs

## Support Bracket For Runway

Used do secure threaded rod to runway.

- Available in black (B)



Part Number	Description	Shipping Weight
Black Finish		
<b>BLRSB408-038B</b>	Runway Support Bracket for 3/8" Rod	0.1 Lbs
<b>BLRSB408-058B</b>	Runway Support Bracket for 5/8" Rod	0.1 Lbs



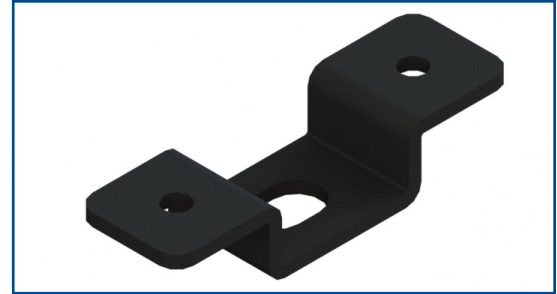


### Ceiling Support Bracket

Used do secure threaded rod to ceiling.

- Available in black (B)

Note: hardware not included



Part Number	Description	Shipping Weight
<b>Black Finish</b>		
<b>BLCSB406-038B</b>	Ceiling Support Bracket for 3/8" Rod	1 Lbs
<b>BLCSB406-058B</b>	Ceiling Support Bracket for 5/8" Rod	1 Lbs

### Threaded Rods

Use to suspend runway from the ceilings.

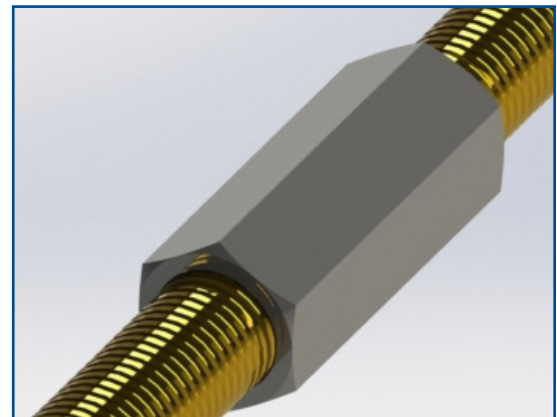
- Gold over zinc plating



Part Number	Description	Shipping Weight
<b>BLTR440-001</b>	Threaded Rod, 3/8"-16 UNC, 6' Long	2 Lbs
<b>BLTR440-003</b>	Threaded Rod, 3/8"-16 UNC, 12' Long	5 Lbs
<b>BLTR440-002</b>	Threaded Rod, 5/8"-11 UNC, 6' Long	5 Lbs
<b>BLTR440-004</b>	Threaded Rod, 5/8"-11 UNC, 12' Long	10 Lbs

### Coupler For Threaded Rod

Allow coupling of two threaded rod



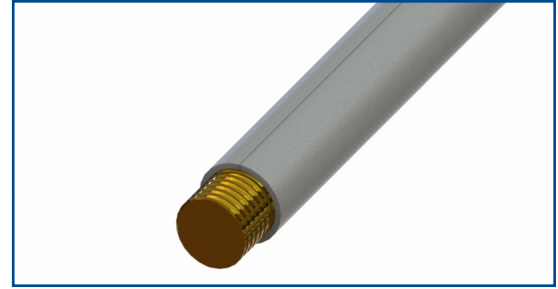
Part Number	Description	Shipping Weight
<b>BLCR697-038</b>	Coupler (1) for Threaded Rod, 3/8"-16	0.3 Lbs
<b>BLCR697-058</b>	Coupler (1) for Threaded Rod, 5/8"-11	0.3 Lbs



### Threaded Rods Cover

Use to cover threaded rods and protect cables

- Black plastic tubing, ID = 0.630"

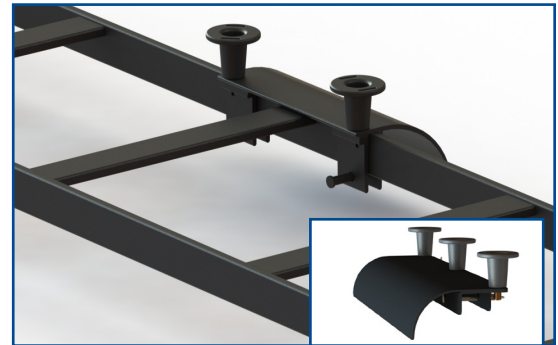


Part Number	Description	Shipping Weight
BLTRC085-010	Threaded Rod Cover, 10' Long	5 Lbs

### Cable Runway Radius Drop

Mounts to the side stringer or cross member of cable runway to help maintain proper Category 5e/6/6A or fiber bend radius.

- Quick and easy installation
- Cross member radius drop (**BLRRD100-XXX**) fits 6", 12" and 18" W cross member tubing on Universal Runway (Series 250)
- Stringer Radius Drop (**BLRRD101-XXX**) attaches to the side of the runway
- Provides 3" bend radius
- Available in black (B)



Runway Radius Drop, Cross Member			
Part Number	Cable Runway Width	Product Width	Cable Spools
Black Finish			
BLRRD100-06B	6"	5"	2 ea.
BLRRD100-12B	12"	11"	3 ea.
BLRRD100-18B	18"	17"	3 ea.

Runway Radius Drop, Cross Member			
Part Number	Cable Runway Width	Product Width	Cable Spools
Black Finish			
BLRRD101-11B	Universal	5"	2 ea.
BLRRD101-12B	Telco	8"	2 ea.
BLRRD101-13B	Misc.	11"	3 ea.

### Movable Cross Member

Movable cross member allows for cable droppings combined with the radius drop where the cabinet or cable manager below does not align with the fixed cross member of the cable pathway.

- Fits on 12" and 18" cable pathway
- Can be used with Radius Drop Kit
- Includes hardware and bracket to mount to stringers
- Available in black (B) or white (W) powder coated finish



Part Number		Description	Shipping Weight
Black Finish	White Finish		
BLMC115-12B	BLMC115-12W	12"	2 Lbs
BLMC115-18B	BLMC115-18W	18"	3.5 Lbs



### Cable Spool Divider Kit

Separates cables for improved cable management. Bracket is mounted to cross sections anywhere you like from left to right. Kit includes 5 units. Cable spool is 4" tall made of plastic; bracket is made of steel.

- Available in black (B)

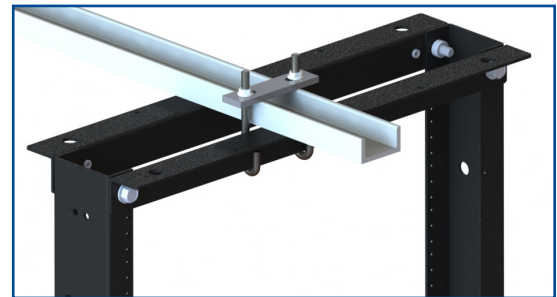


Part Number	Used With	Qty/Kit
<b>BLDU-05B</b>	Universal Style 250 Runway	5 pcs
<b>BLDT-05B</b>	Telco Style 252 and UL Style 275 Runways	5 pcs

### J-Bolt Kit, Auxiliary Framing Channel/Rack Top Bar

Used to attach a 2" x 1" auxiliary framing channel to a 1.5" equipment rack top bar.

- Gold over zinc plating
- Kit consists of:
- (Qty = 1) ¼" x 1" x 3.5" cold-rolled steel plate
- (Qty = 2) 5/16"-18 x 3.25" J-bolts
- (Qty = 2) 5/16"-18 hex nuts and split lock washers

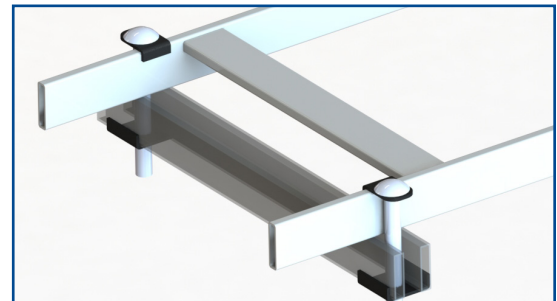


Part Number	Description	Shipping Weight
<b>BLJBK-002</b>	J-Bolt Kit	1 Lbs

### J-Bolt Clip Kit, Auxiliary Framing Channel/Cable Runway

For fastening cable runway to auxiliary framework. Material is steel finished.

- Gold over zinc plating
- Kit consists of:
- (Qty = 2) clip J-bolt
- (Qty = 2) ½"-13 split lock washer
- (Qty = 2) ½"-13 hex nut



Part Number	Description	Shipping Weight
<b>BLJBC-001</b>	J-Bolt Clip Kit for 3/8" x 2" Bar	1 Lbs
<b>BLJBC-002</b>	J-Bolt Clip Kit for 5/8" x 2" Channel	1 Lbs
<b>BLJBC-003</b>	J-Bolt Clip Kit for 1" x 2" Channel	1 Lbs



### Clip J-Bolt, Auxiliary Framing Channel/Cable Runway

Used to attach cable runway to auxiliary framing.

- Sold individually
- Gold over zinc plating
- Kit consists of:
- (Qty = 1) ½"-13 lock nut
- (Qty = 1) ½" split lock washer



Part Number	Description	Shipping Weight
<b>BLJBC-004</b>	J-Bolt Clip ½"-13 x 4.375" (Qty = 1)	1 Lbs
<b>BLJBC-005</b>	J-Bolt Clip ½"-13 x 4.875" (Qty = 1)	1 Lbs

### J-Bolt Kit, Auxiliary Framing Channel/Wall Angle Support

Used to attach a 2" x 1" auxiliary framing channel to a wall angle support.

- Gold over zinc plating
- Kit consists of two each:
- ¼"-20 x 1.75" J-bolts
- ¼"-20 hex nuts
- ¼" split lock washers



Part Number	Description	Shipping Weight
<b>BLJBK-001</b>	J-Bolt Kit	1 Lbs

### J-Bolts (Hook Bolt, Round Bend), Auxiliary Framing Channel/Cable

Used to bolt cable runway, auxiliary framing channels and/or bars together.

- Gold over zinc and black zinc plate finish
- Includes nut and split lock washer
- Commercial grade, kits sold individually



Part Number	Nominal Size	Length	Opening	Shipping Weight
<b>BLJB-001</b>	¼"-20	1.75"	7/32"	1 Lbs
<b>BLJB-002</b>	¼"-20	2"	7/32"	1 Lbs
<b>BLJB-003</b>	5/16"-18	2.25"	7/16"	1 Lbs
<b>BLJB-004</b>	5/16"-18	2.75"	7/16"	1 Lbs
<b>BLJB-005</b>	5/16"-18	3.25"	7/16"	1 Lbs
<b>BLJB-006</b>	5/16"-18	3.75"	7/16"	1 Lbs
<b>BLJB-007</b>	5/16"-18	3.75"	7/16"	1 Lbs
<b>BLJB-008</b>	5/16"-18	6.2"	7/16"	1 Lbs