



Chipsmall Limited consists of a professional team with an average of over 10 year of expertise in the distribution of electronic components. Based in Hongkong, we have already established firm and mutual-benefit business relationships with customers from,Europe,America and south Asia,supplying obsolete and hard-to-find components to meet their specific needs.

With the principle of “Quality Parts,Customers Priority,Honest Operation,and Considerate Service”,our business mainly focus on the distribution of electronic components. Line cards we deal with include Microchip,ALPS,ROHM,Xilinx,Pulse,ON,Everlight and Freescale. Main products comprise IC,Modules,Potentiometer,IC Socket,Relay,Connector.Our parts cover such applications as commercial,industrial, and automotives areas.

We are looking forward to setting up business relationship with you and hope to provide you with the best service and solution. Let us make a better world for our industry!



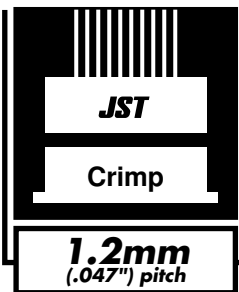
## Contact us

Tel: +86-755-8981 8866 Fax: +86-755-8427 6832

Email & Skype: info@chipsmall.com Web: www.chipsmall.com

Address: A1208, Overseas Decoration Building, #122 Zhenhua RD., Futian, Shenzhen, China

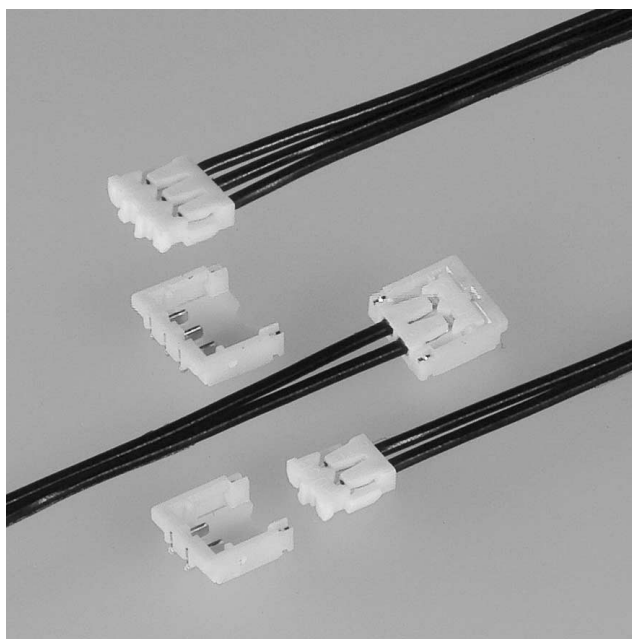




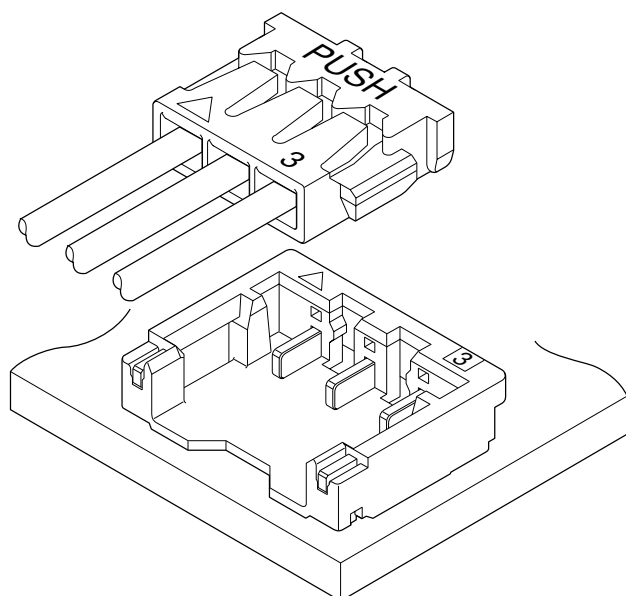
# ACH CONNECTOR



Disconnectable Crimp style connectors



**This ACH connector is compact and low profile type, height: 1.4mm (.055") and width 4.3mm (.169"), 1.2mm (.047") pitch wire-to-board connector.**



## Features

### • Top entry but side feed type

Wires come out from horizontal direction of connector

a Low profile {height: 1.4mm (.055")}

Socket is mated with header from vertical direction of connector

a Excellent workability

### • Connector for DC power supply

In spite of compact and low profile type connector, rated current is 2A for both 2-circuit and 3-circuit with wire size AWG #28.

### • Corresponding to sucking nozzle of pick and place machine

A sucking area on bottom of inside header is available.

## Specifications

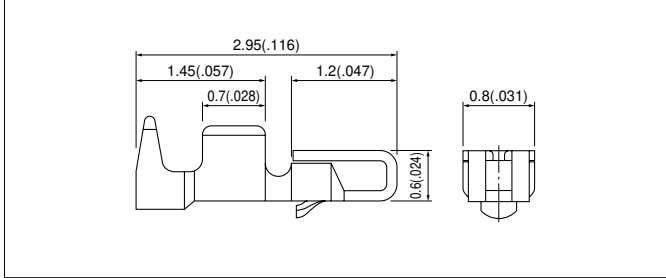
- Current rating: 2A AC, DC (AWG #28)
  - Voltage rating: 50V AC, DC
  - Temperature range: -25°C to +85°C  
(including temperature rise in applying electrical current)
  - Contact resistance: Initial value/10m Ω max.  
After environmental testing/20m Ω max.
  - Insulation resistance: 100M Ω min.
  - Withstanding voltage: 500V AC/minute
  - Applicable wire: AWG #30 to #28  
Insulation O.D./0.5 to 0.63mm (.020" to .025")
- \* Contact JST if Lead-Free product is required.  
\* Refer to "General Instruction and Notice when using Terminals and Connectors" at the end of this catalog.  
\* Contact JST for details.

## Standards

Recognized E60389

# ACH CONNECTOR

## Contact

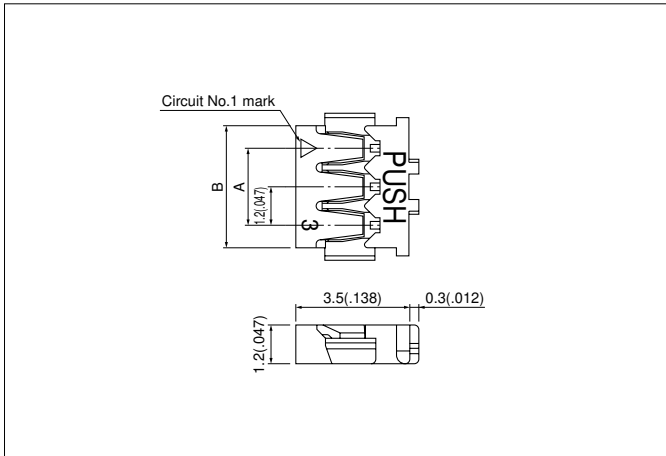


Model No.	Applicable wire		Insulation O.D. mm(in.)	Q'ty / reel
	mm <sup>2</sup>	AWG#		
<b>SACH-003G-P0.2</b>	0.05 to 0.08	30 to 28	0.5 to 0.63(.020 to .025)	30,000

### Material and Finish

Copper alloy, nickel-undercoated, gold-plated

## Housing



Circuits	Model No.	Dimensions mm(in.)		Q'ty / bag
		A	B	
2	<b>ACHR-02V-S</b>	1.2(.047)	2.6(.102)	1,000
3	<b>ACHR-03V-S</b>	2.4(.094)	3.8(.150)	1,000

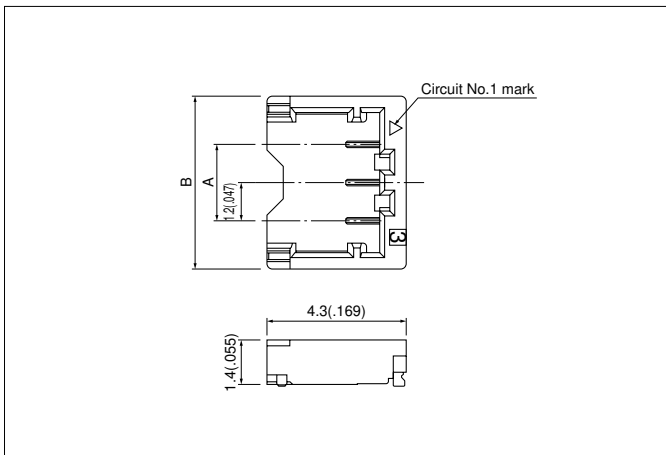
### Material

PBT, UL94V-0, natural (white)

<For reference> As the color identification, the following alphabet shall be put in the underlined part. For availability, delivery and minimum order quantity, contact JST.

ex. **ACHR-02V-00**  
 S...natural (white)  
 K...black

## Shrouded header



Circuits	Model No.	Q'ty / reel
2	<b>BM02B-ACHSS-GAN-TF</b>	4,500
3	<b>BM03B-ACHSS-GAN-TF</b>	4,500

### Material and Finish

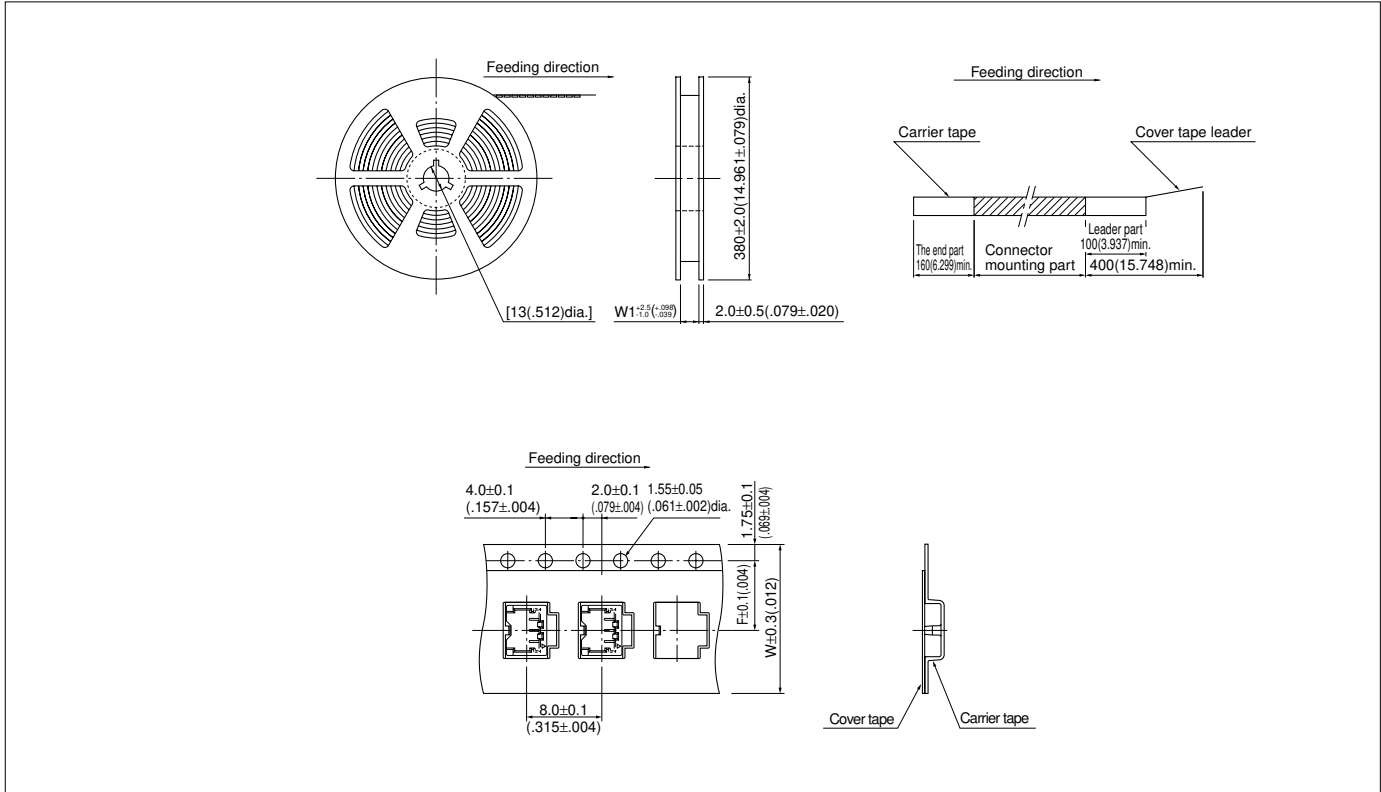
Contact: Copper alloy, nickel-undercoated, gold-plated (nickel-stripe)  
 Housing: Heat resisting resin, UL94V-0, natural (ivory)  
 Solder tab: Copper alloy, copper-undercoated, tin-plated

<For reference> As the color identification, the following alphabet shall be put in the underlined part. For availability, delivery and minimum order quantity, contact JST.

ex. **BM02B-ACHSS-GAN-TF**  
 S...natural (ivory)

# ACH CONNECTOR

## Taping specifications

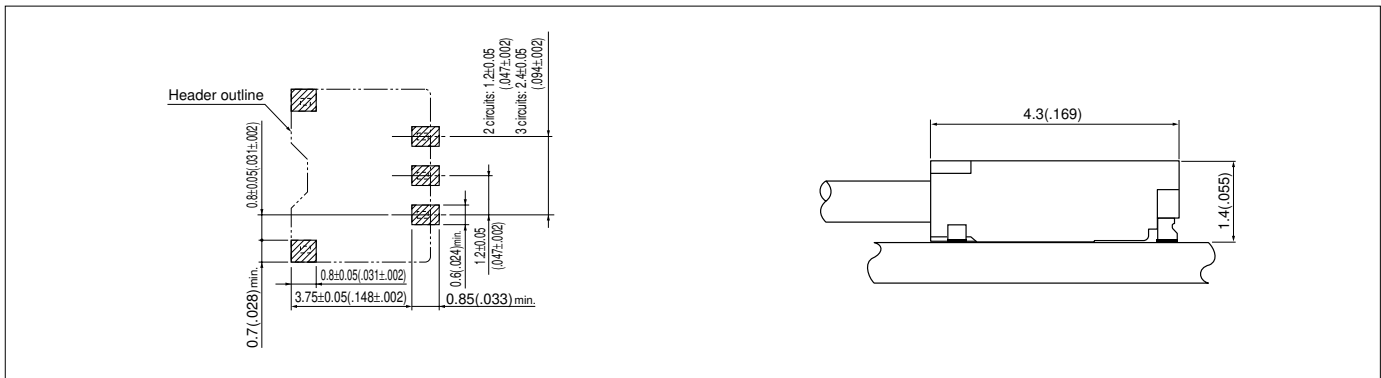


Circuits	Dimensions mm(in.)		Reel dimensions mm(in.)	Q'ty / reel
	F	W	W1	
2	5.5(.217)	12.0(.472)	13.5(.531)	4,500
3	7.5(.295)	16.0(.630)	17.5(.689)	4,500

**Note:**

- Specifications conform to JIS C 0806. The tape width, connector loading recess square hole dimensions, etc. are determined by the number of circuits and external shape of the connector to be loaded.
- Specifications are subject to change without prior notice.

## PC board layout (viewed from component side) and Assembly layout



- Note:**
- Tolerances are non-cumulative:  $\pm 0.05\text{mm}$  ( $\pm .002''$ ) for all centers.
  - The dimensions above should serve as a guideline. Contact JST for details.

## Applicator for the semi-automatic press AP-K2N

Contact	Crimp applicator MKS-L-10-3		Compact crimp applicator MKS-LS		Strip-crimp applicator MKS-SC
	with safety cover	without safety cover	with safety cover	without safety cover	with safety cover
<b>SACH-003G-P0.2</b>	APLMK SACH003-02	APLNC SACH003-02	-	-	-