



Chipsmall Limited consists of a professional team with an average of over 10 year of expertise in the distribution of electronic components. Based in Hongkong, we have already established firm and mutual-benefit business relationships with customers from,Europe,America and south Asia,supplying obsolete and hard-to-find components to meet their specific needs.

With the principle of “Quality Parts,Customers Priority,Honest Operation,and Considerate Service”,our business mainly focus on the distribution of electronic components. Line cards we deal with include Microchip,ALPS,ROHM,Xilinx,Pulse,ON,Everlight and Freescale. Main products comprise IC,Modules,Potentiometer,IC Socket,Relay,Connector.Our parts cover such applications as commercial,industrial, and automotives areas.

We are looking forward to setting up business relationship with you and hope to provide you with the best service and solution. Let us make a better world for our industry!



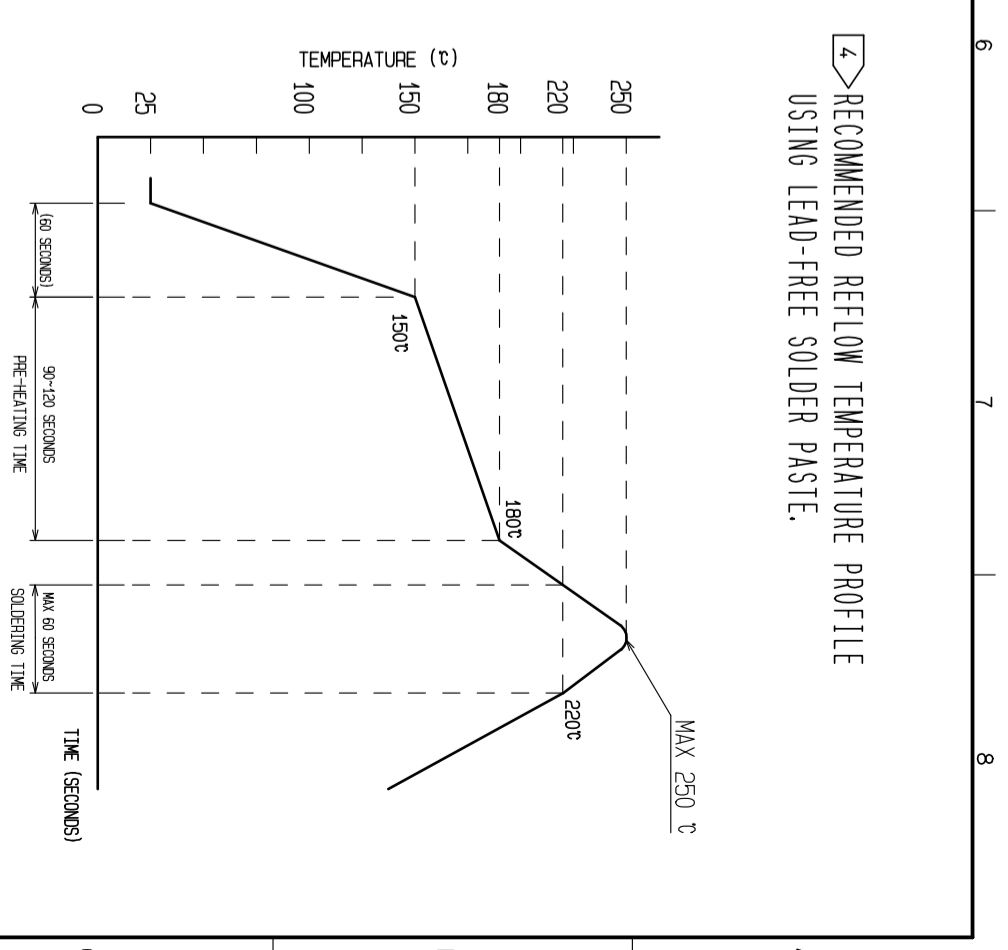
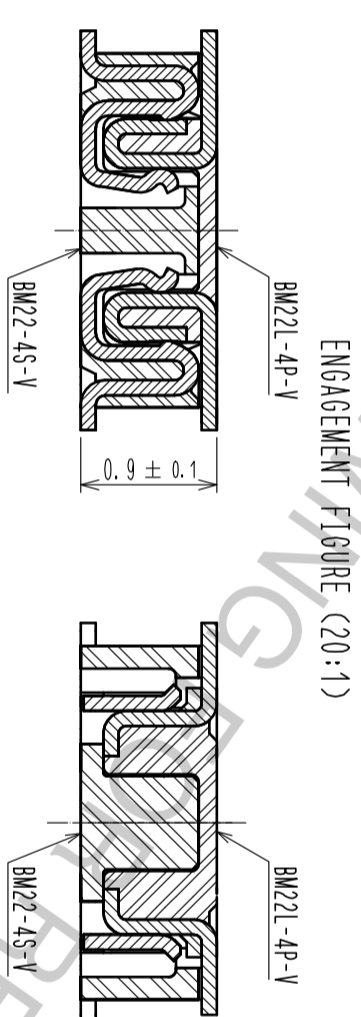
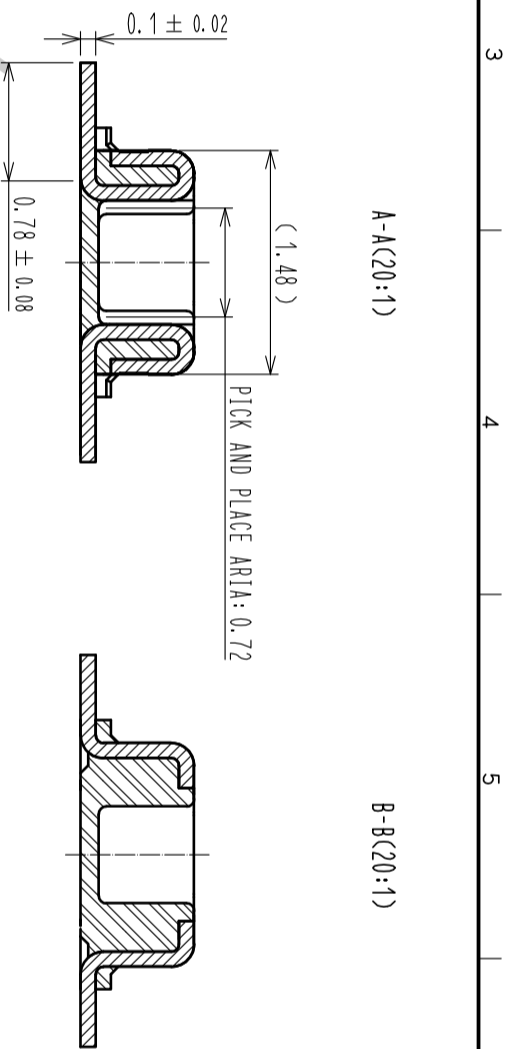
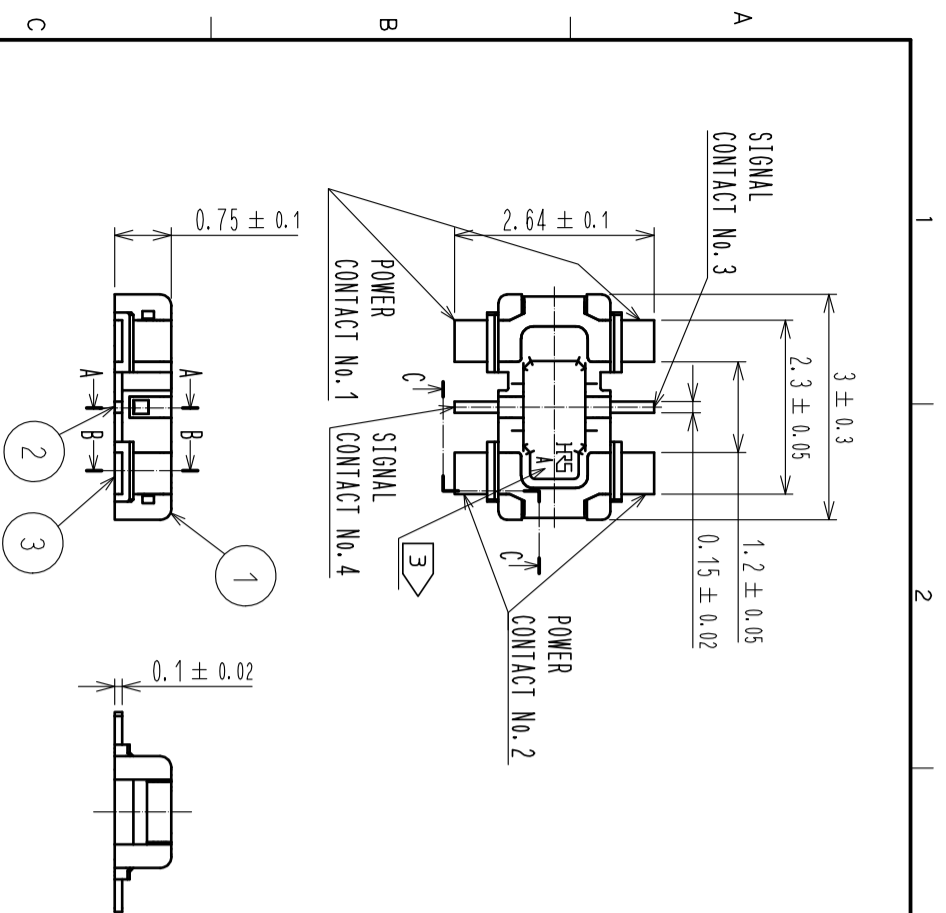
## Contact us

Tel: +86-755-8981 8866 Fax: +86-755-8427 6832

Email & Skype: info@chipsmall.com Web: www.chipsmall.com

Address: A1208, Overseas Decoration Building, #122 Zhenhua RD., Futian, Shenzhen, China





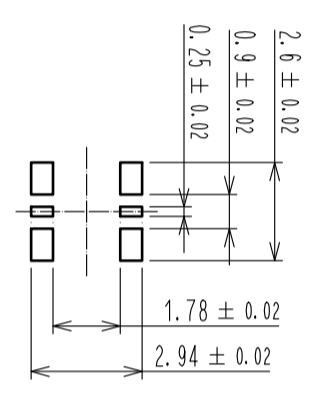
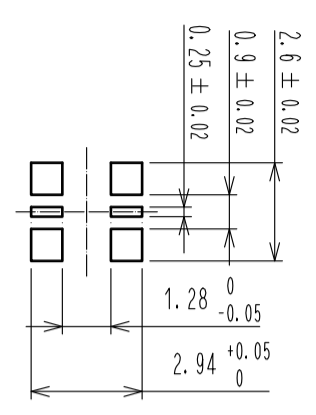
4) RECOMMENDED REFLOW TEMPERATURE PROFILE USING LEAD-FREE SOLDER PASTE.

NOTE 1. ALL LEAD CO-PLANARITY SHALL BE 0.08mm MAX  
 2) CONTACT PLATING SPECIFICATIONS  
 CONTACT AREA : GOLD 0.05µm MIN  
 SMT LEAD : GOLD 0.01µm MIN  
 UNDER PLATING : NICKEL 1µm MIN  
 (SURFACE : SEALING)  
 3) HRS MARK AND CAV NO. ARE INDICATED IN APPROX POSITION SHOWN.

◆ RECOMMENDED PCB LAYOUT(5:1)

◆ RECOMMENDED METAL MASK DIMENSIONS(5:1)

METAL MASK THICKNESS : 100µm



4) THIS TEMPERATURE PROFILE IS PER THE CONDITIONS SHOWN ABOVE. ADDITIONAL FACTORS, SUCH AS SOLDER PASTE TYPE, PCB SIZE AND OTHER MOUNTED COMPONENTS COULD AFFECT THE PROFILE. THEREFORE, A THOROUGH EVALUATION OF MOUNTING CONDITION IS REQUIRED PRIOR TO PRODUCTION. TEMPERATURE IS MEASURED AT CONTACT LEAD.

REFLOW METHOD: IR REFLOW  
 NUMBER OF REFLOW CYCLES: 2 CYCLES MAX.  
 1) REFLOW TIME  
 DURATION ABOVE 220°C: 60 SEC. MAX.  
 (PEAK TEMPERATURE: 250°C MAX)  
 2) PRE-HEAT TIME  
 PRE-HEAT TEMPERATURE(MIN): 150°C  
 PRE-HEAT TEMPERATURE(MAX): 180°C  
 PRE-HEAT TIME: 90-120 SEC.

4	PS	CLEAR (EMBOSSED CARRIER TAPE)	7	PS	CLEAR (REINFORCEMENT COLLAR)
3	COPPER ALLOY	2	6	PS	BLACK (PLASTIC REEL)
2	COPPER ALLOY	2	5	POLYESTER	CLEAR (COVER TAPE)
1	LCP	UL94 V-0, BLACK			

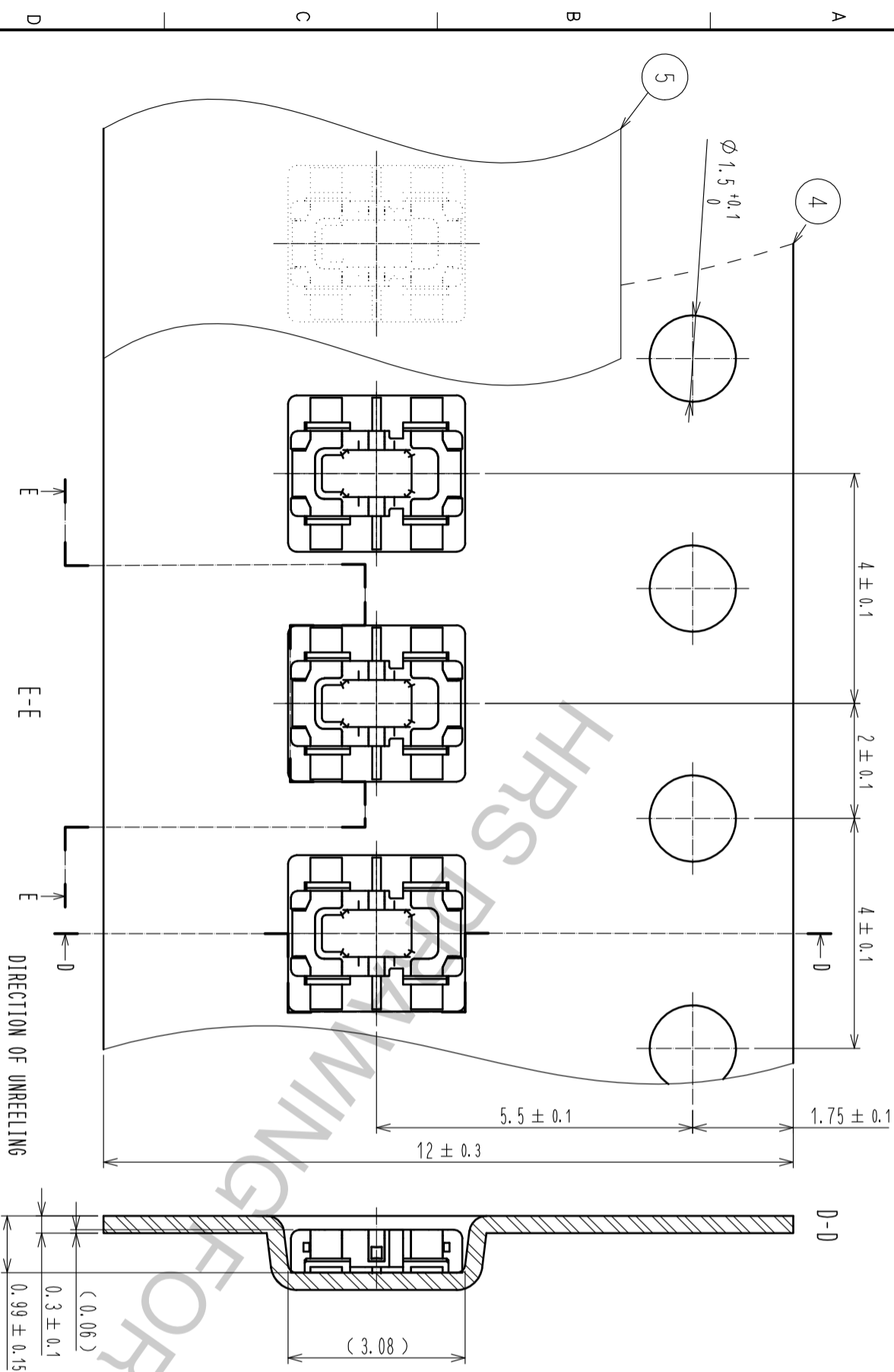
  

UNITS	SCALE	COUNT	DESCRIPTION OF REVISIONS	DESIGNED	CHECKED	DATE
mm	10 : 1	1	DIS-H-00000053	NY. YAMASHIRO	TS. MIYAZAKI	15. 01. 27

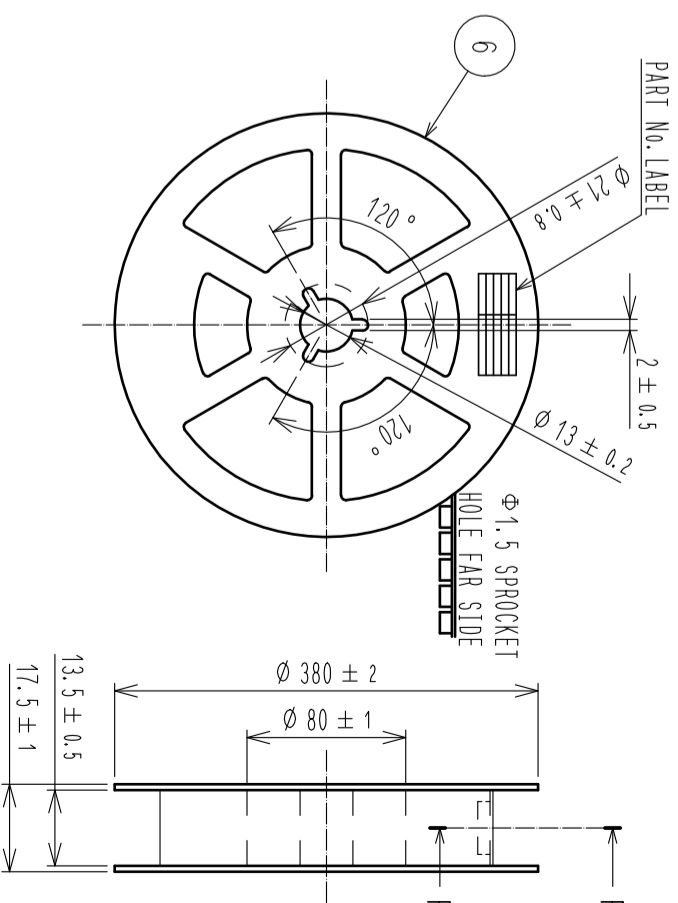
  

APPROVED : KH. IKEDA	13. 12. 18	DRAWING NO.	EDC - 354825 - 51 - 02
CHECKED : TS. MIYAZAKI	13. 12. 17	PART NO.	BM22L-4P-V(51)
DESIGNED : YK. SATAKE	13. 12. 17	CODE	CL677-1006-7-51
DRAWN : KR. AJITO	13. 12. 17	NO.	

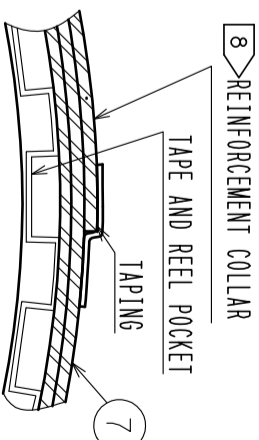
EMBOSSED CARRIER TAPE PACKAGING



STYLE AND DIMENTION OF REEL (FREE)

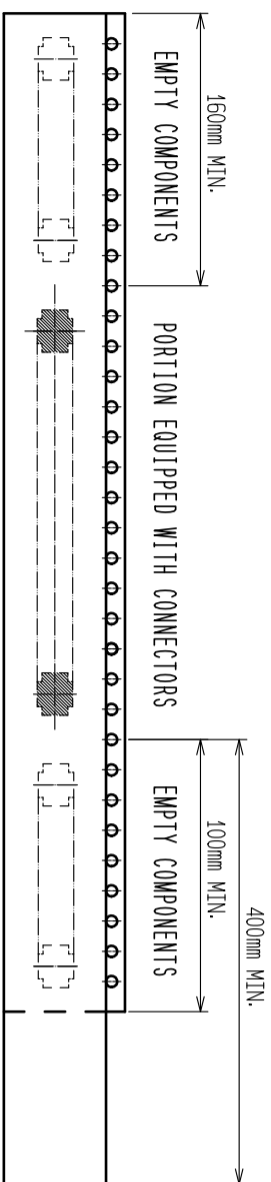


DETAIL OF PART NO. LABEL



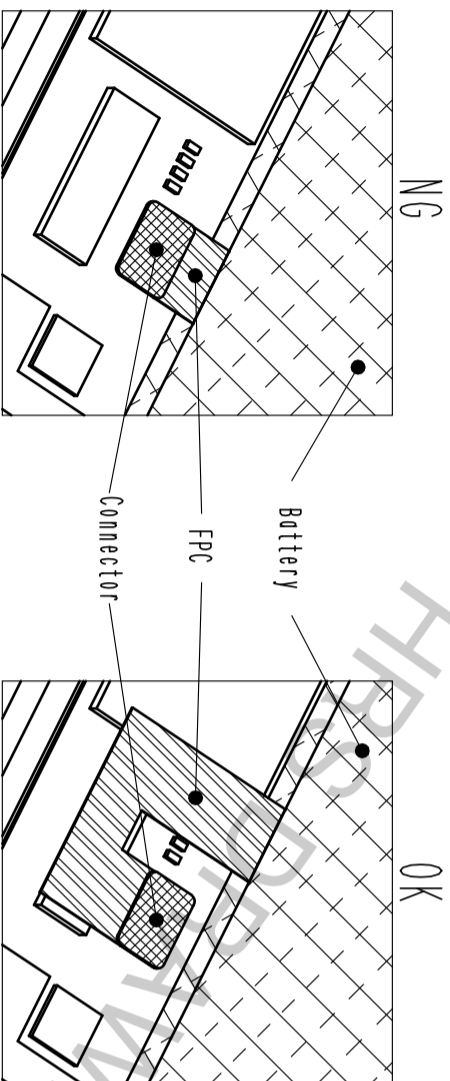
製造年月日	** ** *	DATE OF MANUFACTURED
製品コード	CL677-1006-7-51	CODE No.
製品名	BM22L-4P-V(S1)	PART No.
数量	10,000	QUANTITY
納入者	ヒロ電機(株)	SUPPLIER

5. PER REEL 10,000 CONNECTORS.
6. THE DIMENTIONS IN PARENTHESSES ARE FOR REFERENCE.
7. REFER TO JIS C 0806-3(IEC 60286-3)(PACKAGING OF COMPONENTS FOR AUTOMATIC HANDLING) AFTER PACKAGING, ROLL 2 METERS OF THE REINFORCEMENT COLLAR TO OUTER CIRCUMFERENCE OF TAPE AND REEL POCKET. AND TAPE DOWN AT THE END THE COLLAR.
8. REINFORCEMENT COLLAR



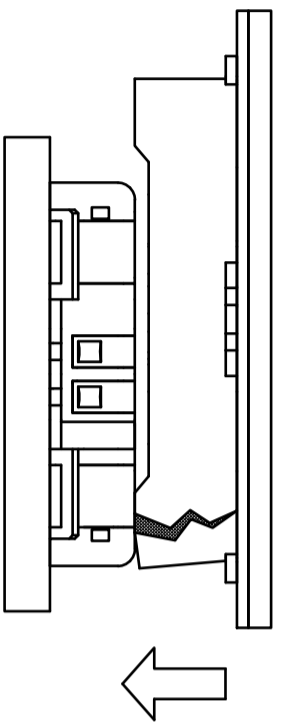
How to draw the FPC

BM22 series connector is intended to carry 3A to 4A electrical current for battery application. FPC may have less flexibility than usual, since the copper foil becomes wider and thicker to carry current of 3A. Please design the FPC to have a flexibility to absorb the displacement\* of the connector casede by fixing PCB and battery.

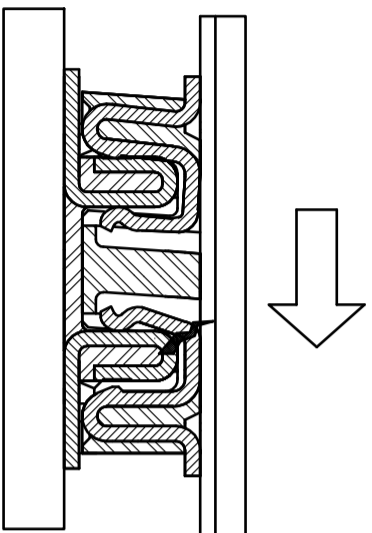


\*Possible problems caused by connector mating in incorrect positioning. Mating the connector in incorrect positioning could lose the function of the connector.

① Insulator could be broken.

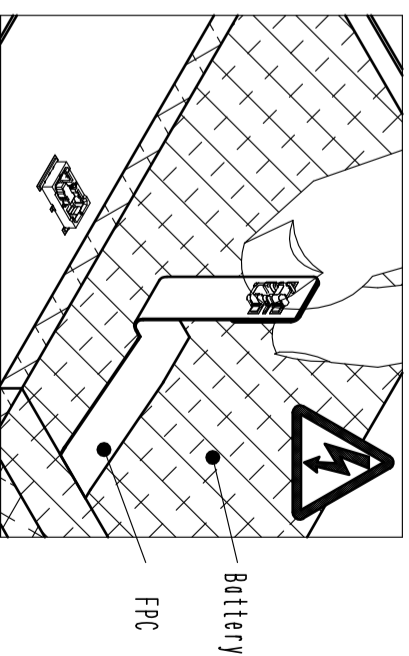
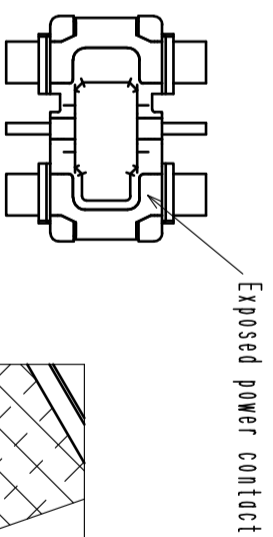


② It could apply excessive mechanical stress to single side of the contact.



Electric shock hazard

Since power contact of header side is exposed, the battery may short out if you touch the contact with finger during mating operation. To avoid this accident, mounting a header on main PWB and mounting a receptacle on battery side is recommended.



HYDROLYSIS FOR REFERENCE

<b>HRS</b>	
DRAWING NO.	EDC-354825-51-02
PART NO.	BM22L-4P-VC51J
CODE NO.	CL677-1006-7-51