



Chipsmall Limited consists of a professional team with an average of over 10 year of expertise in the distribution of electronic components. Based in Hongkong, we have already established firm and mutual-benefit business relationships with customers from,Europe,America and south Asia,supplying obsolete and hard-to-find components to meet their specific needs.

With the principle of “Quality Parts,Customers Priority,Honest Operation,and Considerate Service”,our business mainly focus on the distribution of electronic components. Line cards we deal with include Microchip,ALPS,ROHM,Xilinx,Pulse,ON,Everlight and Freescale. Main products comprise IC,Modules,Potentiometer,IC Socket,Relay,Connector.Our parts cover such applications as commercial,industrial, and automotives areas.

We are looking forward to setting up business relationship with you and hope to provide you with the best service and solution. Let us make a better world for our industry!



Contact us

Tel: +86-755-8981 8866 Fax: +86-755-8427 6832

Email & Skype: info@chipsmall.com Web: www.chipsmall.com

Address: A1208, Overseas Decoration Building, #122 Zhenhua RD., Futian, Shenzhen, China



300 Watts

BM80A

Total Power: 300 Watts
Input Voltages: 48V or 300V
No. of Outputs: Single



Electrical Specs

Input

Input Range 180 to 400 VDC or 36 to 72 VDC
 Efficiency 83% typical (5V @ 60A)

Control

Voltage Adjust 80 to 120% V_o
 Enable TTL compatible (low to enable)
 Current Limit Adjust 20 to 100% I_o
 Clock Input (external sync) 3.3 to 5.5Vp-p @ 1MHz \pm 10%
 Clock Output (internal clock) 4.5Vp-p typical @ 1MHz \pm 0.5%
 Power Good/Identification High (V_o) = power good.
 Temperature
 Monitor Output 10 mV/ $^{\circ}$ K (2.73V = 0 $^{\circ}$ C)
 Current Monitor Output 0 to 1mA (1 mA = 100% I_o rated)
 Over Voltage
 Protection Adjust 110 to 150% V_o linear programming

Output

Load Regulation 0.1% typical down to no load
 Line Regulation 0.02% typical
 Noise/Ripple 50mV typical
 Remote sense Up to 0.5V
 Output Voltage
 Adjust Range \pm 20% of nominal output
 Transient Response 3% typical deviation with 250 μ s recovery (25-75% full load)
 Current Share Accuracy 3% typical
 Overvoltage Protection 115% V_o (nominal)
 Current Limit 110% I_o max

Notes

Nominal values apply with sense pins connected and other control pins unconnected.

Specifications subject to change without notice.

Special Features

- 300W Continuous power at 85 $^{\circ}$ C baseplate temperature
- 54W/in³ (3.3W/cm³)
- High efficiency - 83% at full rated output
- 1MHz Fixed frequency
- Low output ripple and noise
- Excellent transient response
- Safety isolated low voltage interface with ALPTM linear control
- High reliability - over 1 million hours MTBF
- Wide input voltage range
- Parallelable with accurate current sharing

Environmental

Operating temperature (baseplate):
 -20 $^{\circ}$ C to +85 $^{\circ}$ C

Storage temperature: -40 $^{\circ}$ C to +105 $^{\circ}$ C

Overtemperature protection: 90 $^{\circ}$ C typical

MTBF: > 1 million hours (50 $^{\circ}$ C baseplate)

Safety

UL L 1950

CSA CSA22.2-234 E132002

CSA22.2-950 LR53982C

VDE IEC950 20396-3336-1005 & 1006

EN60950

CECEMark (LVD)

AMERICAS

5810 Van Allen Way
 Carlsbad, CA 92008
 Telephone: 760-930-4600
 Facsimile: 760-930-0698

EUROPE

Astec House, Waterfront Business Park
 Merry Hill, Dudley
 West Midlands, DY5 1LX, UK
 Telephone: +44(0)1384-842211
 Facsimile: +44(0)1384-843355

ASIA

Units 2111-2116, Level 21
 Tower 1, Metroplaza
 223, Hing Fong Road
 Fwai Fong, New Territories
 Hong Kong
 Telephone: 852-2437-9662
 Facsimile: 852-2402-4426



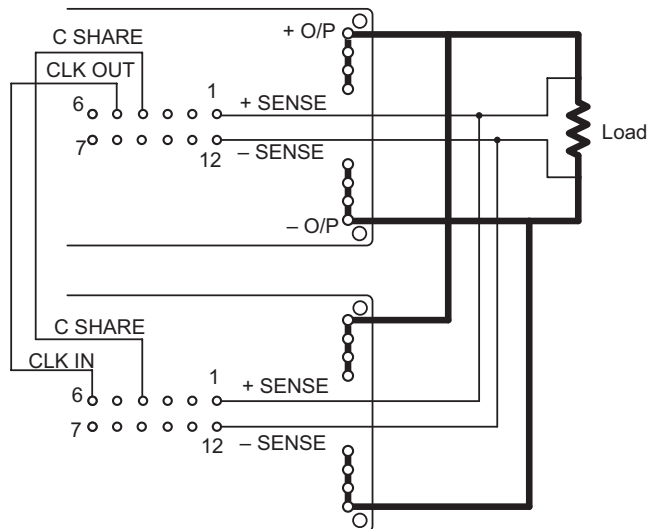
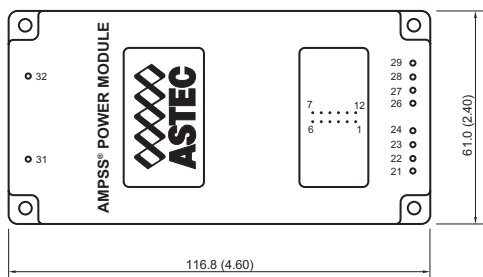
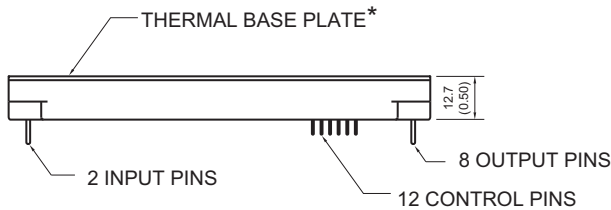
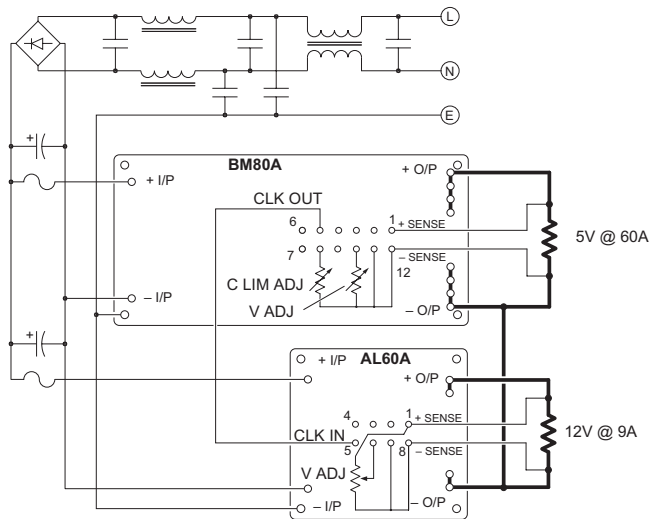
BM80A

Ordering Information

Input Voltage	Output Voltage	Output Current	Model Number	Input Voltage	Output Voltage	Output Current	Model Number
300V	5V	60A	BM80A-300L-050F60	48V	5V	60A	BM80A-048L-050F60
300V	3.3V	70A	BM80A-300L-033F70	48V	3.3V	70A	BM80A-048L-033F70
300V	2.2V	75A	BM80A-300L-022F75				
300V	2.2V	85A	BM80A-300L-022F85				
300V	3.3V	90A	BM80A-300L-033F90				

Pin Assignments

Input	Output	Control Pins
31. +ve	21.	1. +SENSE
32. -ve	22.	2. TEMP MON
	23.	3. C MON
	24.	4. C SHARE
	26.	5. CLK OUT
	27.	6. CLK IN
	28.	7. PG/ID
	29.	8. C LIM ADJ
		9. OVP ADJ
		10. V ADJ
		11. ENABLE
		12. -SENSE



Parallel Connections

Dimensions

Connection example for a 400W dual output power supply using BM80A 300W and AL60A 100W modules

Astec Integrated Power