



Chipsmall Limited consists of a professional team with an average of over 10 year of expertise in the distribution of electronic components. Based in Hongkong, we have already established firm and mutual-benefit business relationships with customers from,Europe,America and south Asia,supplying obsolete and hard-to-find components to meet their specific needs.

With the principle of "Quality Parts,Customers Priority,Honest Operation,and Considerate Service",our business mainly focus on the distribution of electronic components. Line cards we deal with include Microchip,ALPS,ROHM,Xilinx,Pulse,ON,Everlight and Freescale. Main products comprise IC,Modules,Potentiometer,IC Socket,Relay,Connector.Our parts cover such applications as commercial,industrial, and automotives areas.

We are looking forward to setting up business relationship with you and hope to provide you with the best service and solution. Let us make a better world for our industry!



Contact us

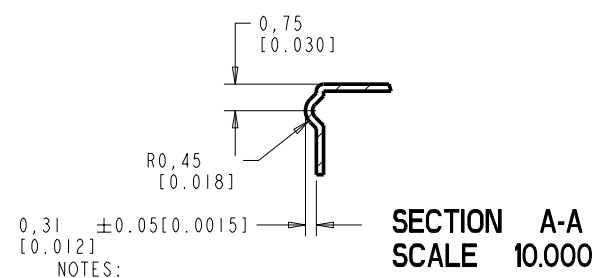
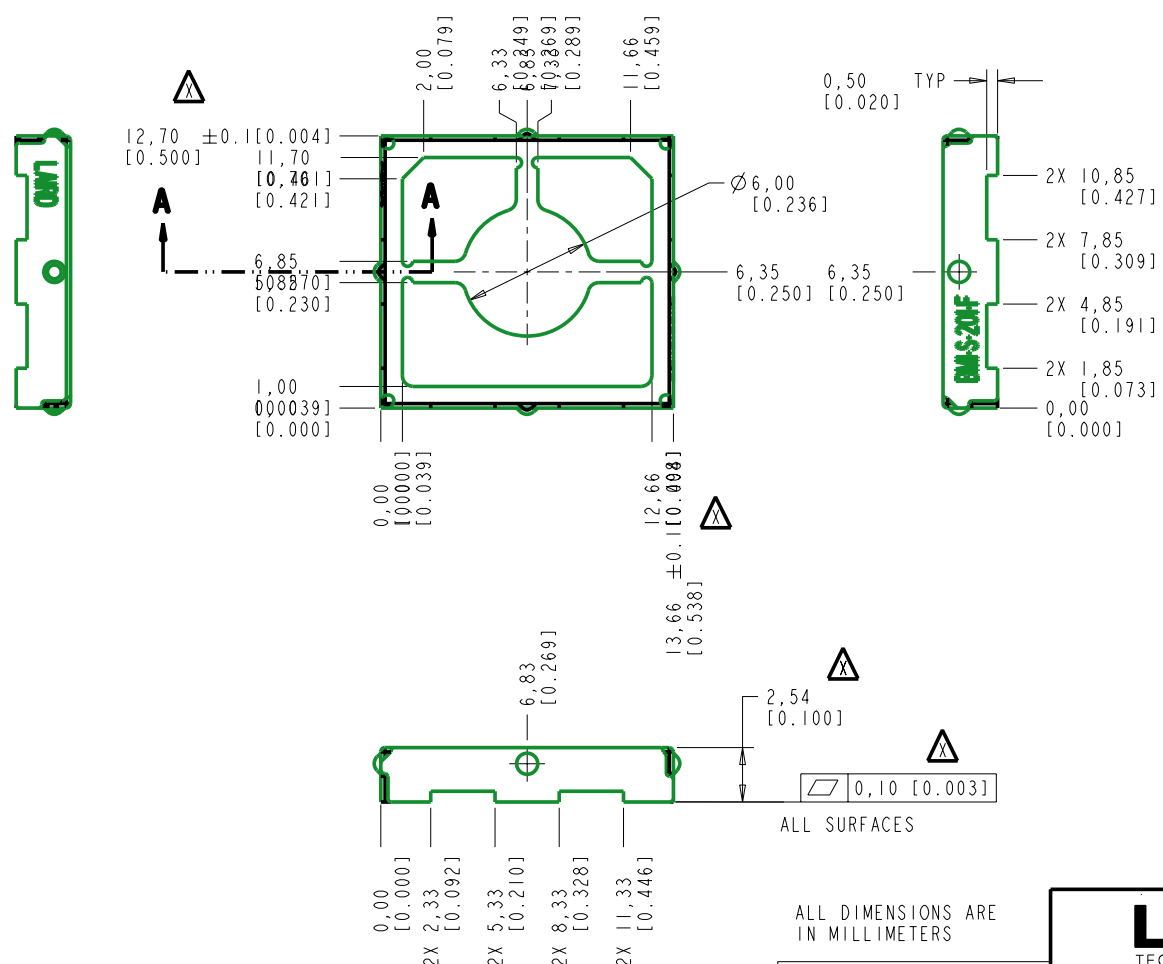
Tel: +86-755-8981 8866 Fax: +86-755-8427 6832

Email & Skype: info@chipsmall.com Web: www.chipsmall.com

Address: A1208, Overseas Decoration Building, #122 Zhenhua RD., Futian, Shenzhen, China



REVISION CHANGES				
REV	DESCRIPTION	DATE	BY	APPROVED
T2	ADDED CROSS SUPPORT FOR ORIENTATION	07/14/03	ARZ	
T3	SEE SHEET 2	12-08-03	ALP	
T4	P/N WAS BMI-S-201-F	03/10/05	ARZ	RJR
5	INSERTED DUAL DIMENSIONS & CARRIER TAPE	06/12/06	RCB	DG
6	P/N WAS BMIS-201-F, ADDED LAIRD MARK	08/15/07	IV	JE
7	CHANGE DIMPLE TOL. TO ± 0.05 [0.0015]	09/19/07	IV	JE



- NOTES:
- MATERIAL SPECIFICATIONS:
 - MATERIAL:
THICKNESS = 0.20 [0.008] ±0.02 [0.0008]
TYPE: COLD ROLLED STEEL
 - SURFACE FINISH:
1.25 - 5.00 MICRONS [0.000049 - 0.000197]
100% MATTE TIN
 - TOLERANCE/APPEARANCE:
 - NO CHANGE IN PRODUCTION MATERIAL SHALL BE ALLOWED WITHOUT EXPLICIT PRIOR WRITTEN APPROVAL FROM LAIRD TECHNOLOGIES ENGINEERING DEPARTMENT.
 - PARTS SHALL BE FREE OF SHARP EDGES. BURRS SHALL NOT EXCEED 10% OF MATERIAL THICKNESS OR 0.15mm WHICHEVER IS LESS.
 - REFERENCE DIMENSIONS, SHOWN IN PARANTHESES (DIM), ARE WITHOUT TOLERANCE AND ARE FOR INFORMATION PURPOSES ONLY.
 - CRITICAL DIMENSIONS ARE DESIGNATED BY Δ
 - ALL RADII ARE TO BE R0.25 UNLESS OTHERWISE SPECIFIED.
 - PACKAGING:
 - TAPE AND REEL

ALL DIMENSIONS ARE IN MILLIMETERS

TOLERANCES UNLESS SPECIFIED	
0.50 - 6.00	±0.10
6.00 - 30.00	±0.20
30.00 - 120.00	±0.30
120.00 - 400.00	±0.50
Ø HOLE	±0.10
ANGULAR TOL.	±1°

THIRD ANGLE PROJECTION

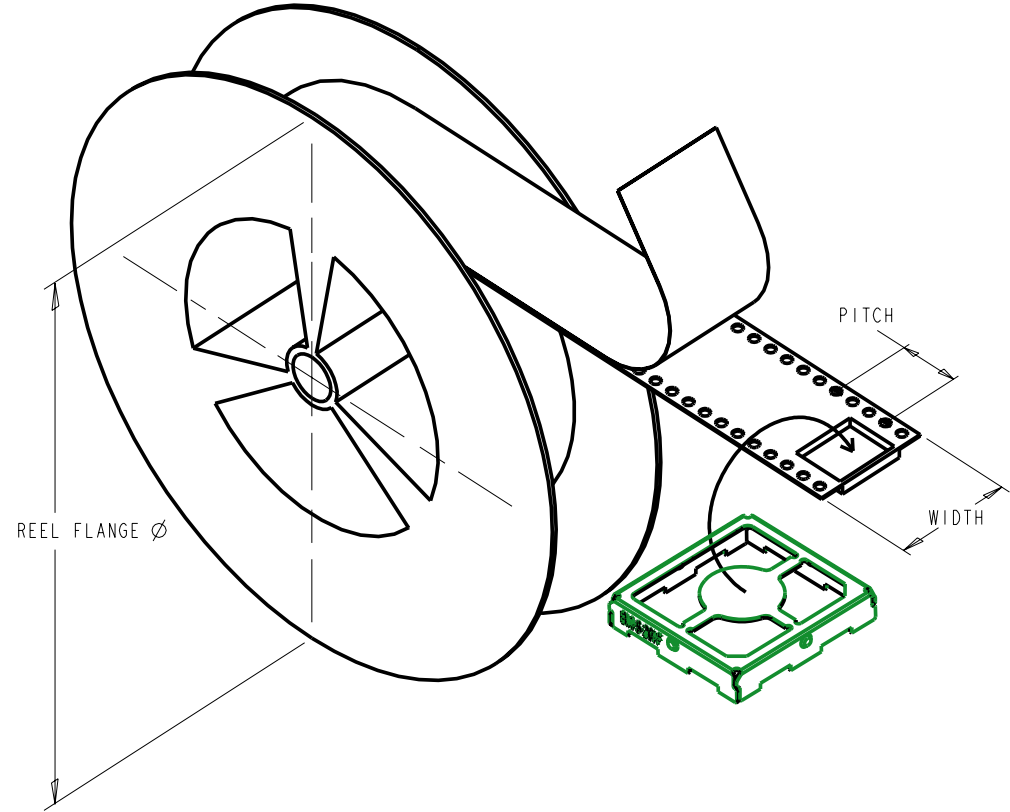
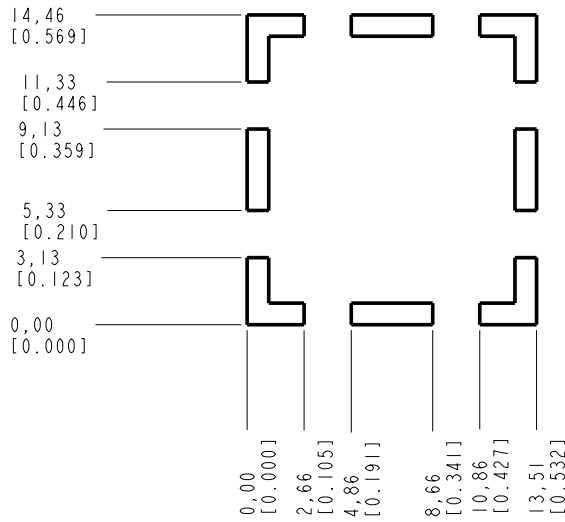
Laird TECHNOLOGIES 1751 WILKENING COURT
SCHAUMBURG, IL 60173

TITLE: SHIELD FRAME

CUSTOMER:	CUST. ENGR.	PART NO.
PROJECT: CATALOG	DATE: 12/06/97	BMI-S-201-F
DRAWN BY: ARZ	SCALE: 6.000	SYSTEM: PRO/E
APP'D BY: ARZ	SHEET NO. 1 OF 2	FILE: BMI-S-201-F
		DWG SIZE REV.
		C 7

REEL SPECIFICATIONS:
 >REEL DIAMETER= 330 (13.00)
 >WIDTH= 24 (0.945)
 >PITCH= 20 (0.787)
 >PARTS PER REEL=1000

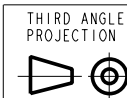
REVISION CHANGES				
REV	DESCRIPTION	DATE	BY	APPROVED
T2	ADDED CROSS SUPPORT FOR ORIENTATION	07/14/03	ARZ	
T3	SEE SHEET 2	12-08-03	ALP	
T4	P/N WAS BMI-S-201-F	03/10/05	ARZ	RJR
5	INSERTED DUAL DIMENSIONS & CARRIER TAPE	06/12/06	RCB	DG
6	P/N WAS BMIS-201-F, ADDED LAIRD MARK	08/15/07	IV	JE
7	CHANGE DIMPLE TOL. TO ± 0.05 [0.0015]	09/19/07	IV	JE



FOOT PRINT LAYOUT

ALL DIMENSIONS ARE IN MILLIMETERS

TOLERANCES UNLESS SPECIFIED	
0.50 - 6.00	± 0.10
6.00 - 30.00	± 0.20
30.00 - 120.00	± 0.30
120.00 - 400.00	± 0.50
Ø HOLE	± 0.10
ANGULAR TOL.	$\pm 1^\circ$



1751 WILKENING COURT
 SCHAUMBURG, IL 60173

TITLE: SHIELD FRAME		CUST. ENGR.		PART NO. BMI-S-201-F	
PROJECT: CATALOG		DATE: 12/06/97		SYSTEM: PRO/E	
DRAWN BY: ARZ		SCALE: 6.000		DWG SIZE	
APP'D BY: ARZ		SHEET NO. 2 OF 2		REV. 7	
FILE: BMI-S-201-F		C			

DO NOT SCALE PRINT

LAIRD TECH. COPYRIGHT 2002

THE DRAWING ON THIS PRINT AND INFORMATION THEREWITH ARE PROPRIETARY TO LAIRD TECH, AND SHALL NOT BE USED OR DISCUSSED INWHOLE OR IN PART WITHOUT LAIRD TECH'S CONSENT.