



Chipsmall Limited consists of a professional team with an average of over 10 year of expertise in the distribution of electronic components. Based in Hongkong, we have already established firm and mutual-benefit business relationships with customers from,Europe,America and south Asia,supplying obsolete and hard-to-find components to meet their specific needs.

With the principle of “Quality Parts,Customers Priority,Honest Operation,and Considerate Service”,our business mainly focus on the distribution of electronic components. Line cards we deal with include Microchip,ALPS,ROHM,Xilinx,Pulse,ON,Everlight and Freescale. Main products comprise IC,Modules,Potentiometer,IC Socket,Relay,Connector.Our parts cover such applications as commercial,industrial, and automotives areas.

We are looking forward to setting up business relationship with you and hope to provide you with the best service and solution. Let us make a better world for our industry!



## Contact us

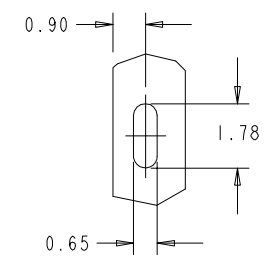
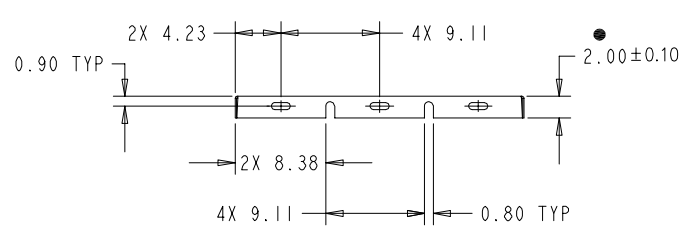
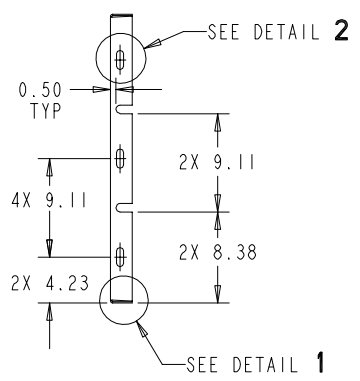
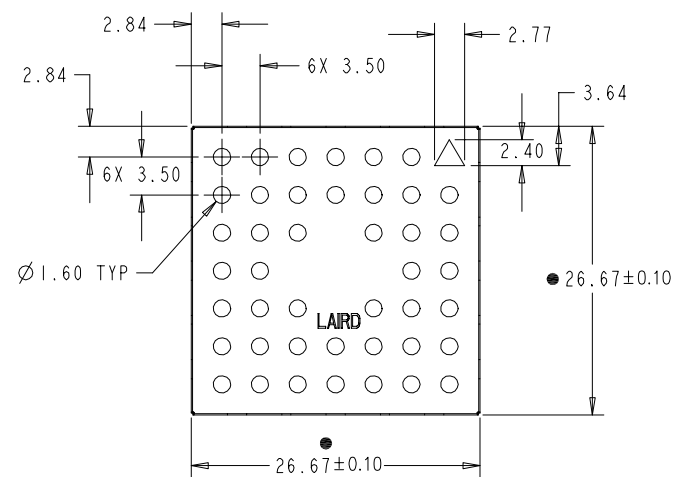
Tel: +86-755-8981 8866 Fax: +86-755-8427 6832

Email & Skype: info@chipsmall.com Web: www.chipsmall.com

Address: A1208, Overseas Decoration Building, #122 Zhenhua RD., Futian, Shenzhen, China



REVISION CHANGES				
REV	DESCRIPTION	DATE	BY	APPROVED
A1	INITIAL RELEASE FOR PRODUCTION IN SZ	2014.10.25	Leon	TW



DETAIL 1  
SCALE 20:1  
(8 PLACES)

DETAIL 2  
SCALE 10:1

- NOTES:
- TOLERANCE/APPEARANCE:
    - NO CHANGE IN PRODUCTION MATERIAL SHALL BE ALLOWED WITHOUT EXPLICIT PRIOR WRITTEN APPROVAL FROM EMI ENGINEERING DEPARTMENT.  
未经LAIRD工程允许不得更改原材料规格。
    - PARTS SHALL BE FREE OF SHARP EDGES. BURRS SHALL NOT EXCEED 10% OF MATERIAL THICKNESS OR 0.15mm WHICHEVER IS LESS.  
产品不允许有松动的毛刺, 披锋不应超过料厚的10%。
    - PART SHALL BE CLEANED AND FREE OF OIL OR GREASE  
产品应干净且无任何杂质。
    - REFERENCE DIMENSIONS, SHOWN IN PARANTHESES (DIM), ARE WITHOUT TOLERANCE AND ARE FOR INFORMATION PURPOSES ONLY.  
FEATURES NOT DIMENSIONED REFER TO 3D DATA  
在“( )”内的尺寸为参考尺寸。未标注尺寸, 参考3D
    - CRITICAL DIMENSIONS ARE DESIGNATED BY “●”  
PROCESS DIMENSIONS ARE DESIGNATED BY “\*”  
带有“●”的尺寸为重点尺寸。带有“\*”的尺寸为制程管控尺寸。
  - PACKAGING:
    - ALL PARTS MUST BE CLEANED AND DRIED BEFORE PACKING  
在检包时必须保证产品干净无变形, 无水印。
    - PACKAGING MATERIAL: LAYER PACK  
见包装图纸: BMI-S-203-C-POP
  - PROCESS:
    - STAMPING 冲压
    - DEGREASING 清洗
    - INSPECT&PACKING 检查&包装

ALL DIMENSIONS ARE IN MILLIMETERS

TOLERANCES UNLESS SPECIFIED	
X.X ONE PLC	±0.25
X.XX TWO PLC	±0.13
Ø HOLE	±0.10
ANGULAR TOL.	±1°

<p>* CAD MAINTAINED DRAWING * MANUAL CHANGES UNAUTHORIZED. PRINTED COPIES OF THIS DOCUMENT ARE CONSIDERED UNCONTROLLED</p> <p>THIS DRAWING IS GENERATED FROM A 3D SOLID MODEL AND MUST BE ACCOMPANIED BY THE MODEL FOR COMPLETE DOCUMENTATION</p>	<p>BLOCK TOLERANCES APPLY TO METRIC UNITS ONLY. DUAL DIMENSIONS IF SHOWN ARE FOR REFERENCE ONLY AND ARE DISPLAYED IN 3 PLACES FOR CONVERSION PURPOSES ONLY.</p> <p>PRODUCTION DRAWING REVISION CONTROLLED DOCUMENT</p>	<p>UNITS: MM</p> <p>TOLERANCES:</p> <p>.X = ±.4 .XX = ±.20 .XXX = ±.10</p>	<p><b>Laird™</b></p> <p>3RD ANGLE PROJECTION</p>	<p>MATERIAL / TEMPER</p> <p>1008/1010 PRE-PLATED COLD ROLLED STEEL FULL HARD</p>	<p>PART DESCRIPTION:</p> <p>COVER</p>	<p>PART NUMBER:</p> <p>BMI-S-203-C</p>		
		<p>ANGULAR:</p> <p>X.' = ± 3' X.X' = ± 1.0'</p>		<p>THICKNESS:</p> <p>0.13MM ±0.02MM</p>	<p>CUSTOMER:</p> <p>LAIRD CATALOG</p>	<p>MODELED BY:</p> <p>Leon Lee</p> <p>DATE:</p> <p>10/25/14</p>	<p>REVI:</p>	
		<p>DESIGNED IN PRO/ENGINEER</p> <p>SCALE: 1:1</p>		<p>FINISH:</p> <p>125-375 MICRONS 100% MATTE TIN</p>	<p>PROGRAM NAME:</p> <p>-</p>	<p>APPROVED BY:</p> <p>Tiger Wang</p> <p>DATE:</p> <p>10/25/14</p>	<p>REVI:</p>	

INFORMATION CONTAINED IN THIS DOCUMENT IS CONFIDENTIAL AND PROPRIETARY TO LAIRD TECHNOLOGIES.  
IT MAY NOT BE DISCLOSED TO ANYONE WITHOUT WRITTEN AUTHORIZATION FROM LAIRD TECHNOLOGIES

A1