



Chipsmall Limited consists of a professional team with an average of over 10 year of expertise in the distribution of electronic components. Based in Hongkong, we have already established firm and mutual-benefit business relationships with customers from,Europe,America and south Asia,supplying obsolete and hard-to-find components to meet their specific needs.

With the principle of “Quality Parts,Customers Priority,Honest Operation,and Considerate Service”,our business mainly focus on the distribution of electronic components. Line cards we deal with include Microchip,ALPS,ROHM,Xilinx,Pulse,ON,Everlight and Freescale. Main products comprise IC,Modules,Potentiometer,IC Socket,Relay,Connector.Our parts cover such applications as commercial,industrial, and automotives areas.

We are looking forward to setting up business relationship with you and hope to provide you with the best service and solution. Let us make a better world for our industry!



## Contact us

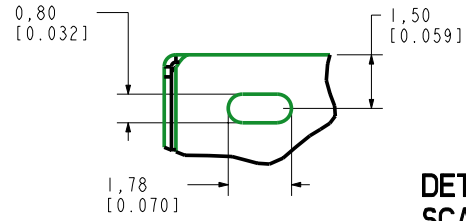
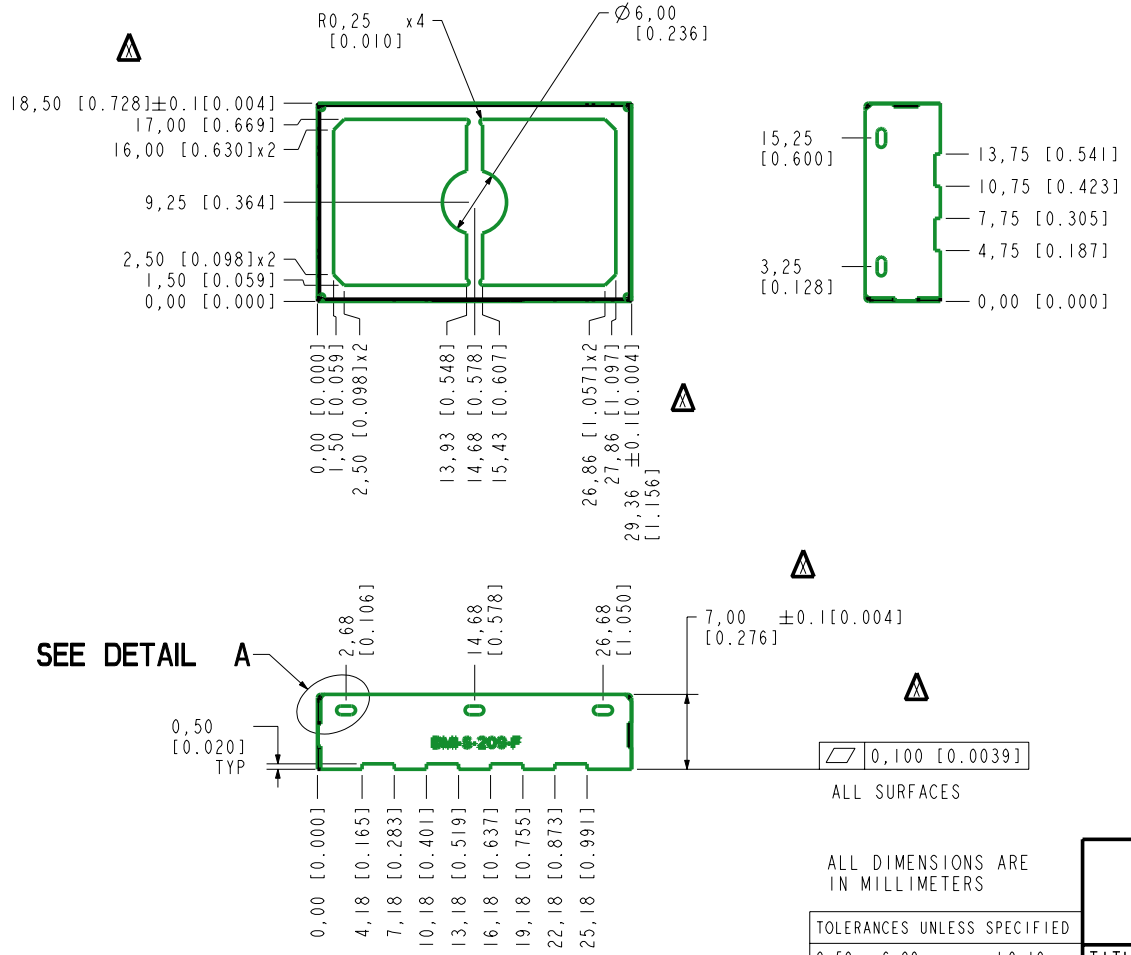
Tel: +86-755-8981 8866 Fax: +86-755-8427 6832

Email & Skype: info@chipsmall.com Web: www.chipsmall.com

Address: A1208, Overseas Decoration Building, #122 Zhenhua RD., Futian, Shenzhen, China



REVISION CHANGES				
REV	DESCRIPTION	DATE	BY	APPROVED
P2	P/N WAS BMIS-209-F, ADDED LAIRD MARK	09/10/07	IV	JE



DETAIL A  
SCALE 10.000

- NOTES:
- MATERIAL SPECIFICATIONS:
    - MATERIAL:  
THICKNESS = 0.20 [0.008] ± 0.02 [0.0008] mm  
TYPE: COLD ROLLED STEEL
    - SURFACE FINISH:  
1.25 - 5.00 MICRONS [0.000049 - 0.000197]  
100% MATTE TIN
  - TOLERANCE/APPEARANCE:
    - NO CHANGE IN PRODUCTION MATERIAL SHALL BE ALLOWED WITHOUT EXPLICIT PRIOR WRITTEN APPROVAL FROM LAIRD TECHNOLOGIES ENGINEERING DEPARTMENT.
    - PARTS SHALL BE FREE OF SHARP EDGES. BURRS SHALL NOT EXCEED 10% OF MATERIAL THICKNESS OR 0.15mm WHICHEVER IS LESS.
    - REFERENCE DIMENSIONS, SHOWN IN PARANTHESES (DIM), ARE WITHOUT TOLERANCE AND ARE FOR INFORMATION PURPOSES ONLY.
    - CRITICAL DIMENSIONS ARE DESIGNATED BY  $\Delta$
    - ALL RADII ARE TO BE R0.25 UNLESS OTHERWISE SPECIFIED.
  - PACKAGING:
    - SEE SHEET 2 OF 2



1751 WILKENING COURT  
SCHAUMBURG, IL 60173

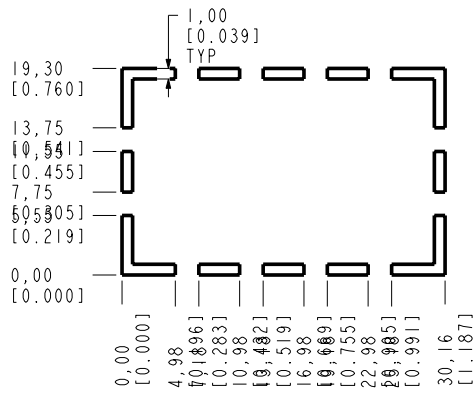
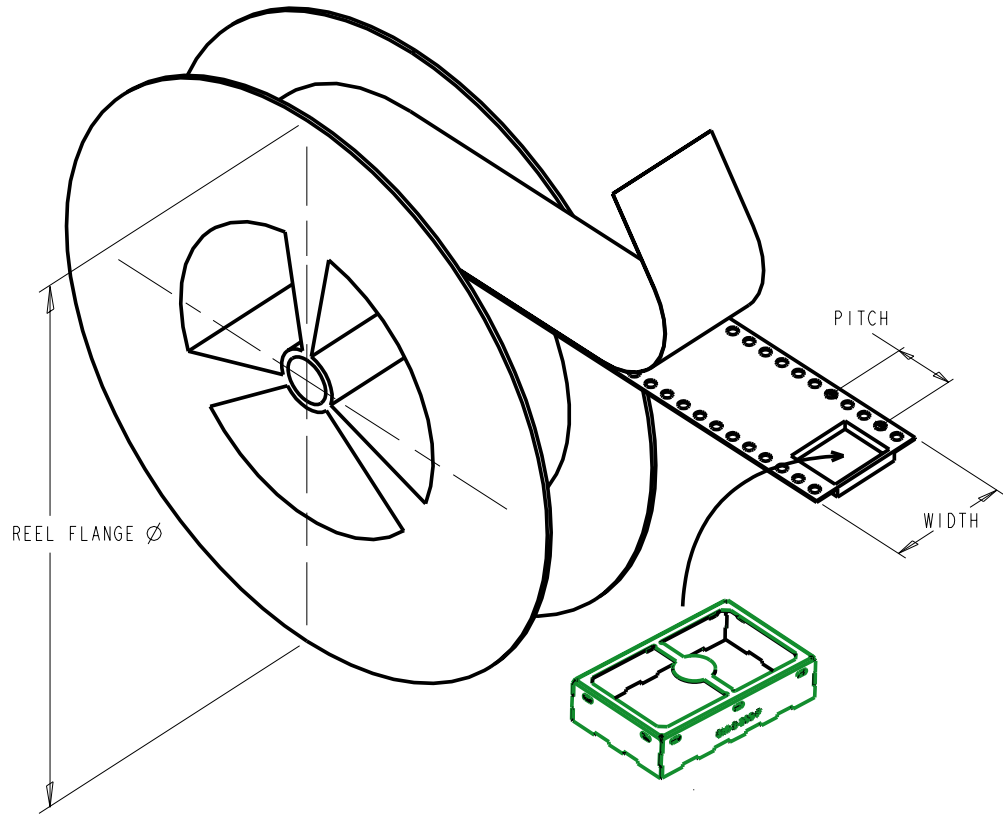
TITLE: SHIELD FRAME				
CUSTOMER:		CUST. ENGR.	PART NO. BMI-S-209-F	
PROJECT: CATALOG	DATE: 06-28-02			
DRAWN BY: ALP	SCALE: 1.000	SYSTEM: PRO/E	DWG SIZE	REV.
APP'D BY: BG	SHEET NO. 1 OF 2	FILE: BMI-S-209-F	C	P2

DO NOT SCALE PRINT  
CONFIDENTIAL

This print is the property of Laird Tech. and is loaned in confidence subject to return upon request and with the understanding that no copies shall be made without the written consent of Laird Tech. All rights to design or invention are reserved.

REVISION CHANGES				
REV	DESCRIPTION	DATE	BY	APPROVED
P2	P/N WAS BMIS-209-F, ADDED LAIRD MARK	09/10/07	IV	JE

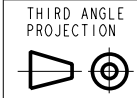
**REEL SPECIFICATIONS:**  
 >REEL DIAMETER= 381 (15.00)  
 >WIDTH= 44 (1.732)  
 >PITCH= 28(1.102)  
 >PARTS PER REEL= 400



FOOT PRINT LAYOUT  
SCALE 3.000

ALL DIMENSIONS ARE  
IN MILLIMETERS

TOLERANCES UNLESS SPECIFIED	
0.50 - 6.00	±0.10
6.00 - 30.00	±0.20
30.00 - 120.00	±0.30
120.00 - 400.00	±0.50
Ø HOLE	±0.10
ANGULAR TOL.	±1°



1751 WILKENING COURT  
SCHAUMBURG, IL 60173

TITLE: SHIELD FRAME		CUST. ENGR.		PART NO. BMI-S-209-F	
PROJECT: CATALOG	DATE: 06-28-02	DRAWN BY: ALP		SCALE: 1.000	SYSTEM: PRO/E
APP'D BY: BG	SHEET NO. 2 OF 2	FILE: BMI-S-209-F	DWG SIZE: C	REV.:	P2

DO NOT  
SCALE PRINT

LAIRD TECH. COPYRIGHT 2002

THE DRAWING ON THIS PRINT AND INFORMATION THEREWITH  
ARE PROPRIETARY TO LAIRD TECH, AND SHALL NOT BE USED OR  
DISCUSSED INWHOLE OR IN PART WITHOUT LAIRD TECH'S CONSENT.