



Chipsmall Limited consists of a professional team with an average of over 10 year of expertise in the distribution of electronic components. Based in Hongkong, we have already established firm and mutual-benefit business relationships with customers from,Europe,America and south Asia,supplying obsolete and hard-to-find components to meet their specific needs.

With the principle of “Quality Parts,Customers Priority,Honest Operation,and Considerate Service”,our business mainly focus on the distribution of electronic components. Line cards we deal with include Microchip,ALPS,ROHM,Xilinx,Pulse,ON,Everlight and Freescale. Main products comprise IC,Modules,Potentiometer,IC Socket,Relay,Connector.Our parts cover such applications as commercial,industrial, and automotives areas.

We are looking forward to setting up business relationship with you and hope to provide you with the best service and solution. Let us make a better world for our industry!



Contact us

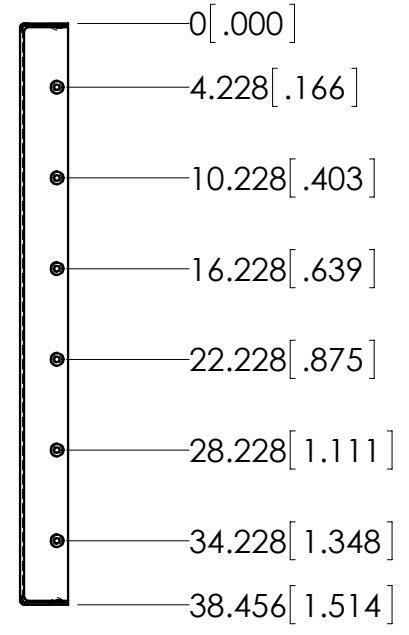
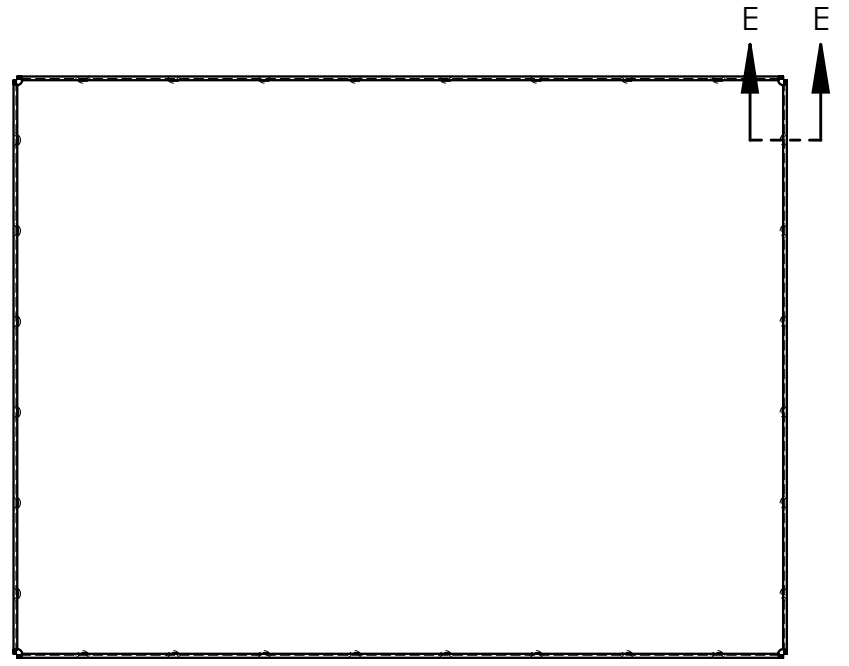
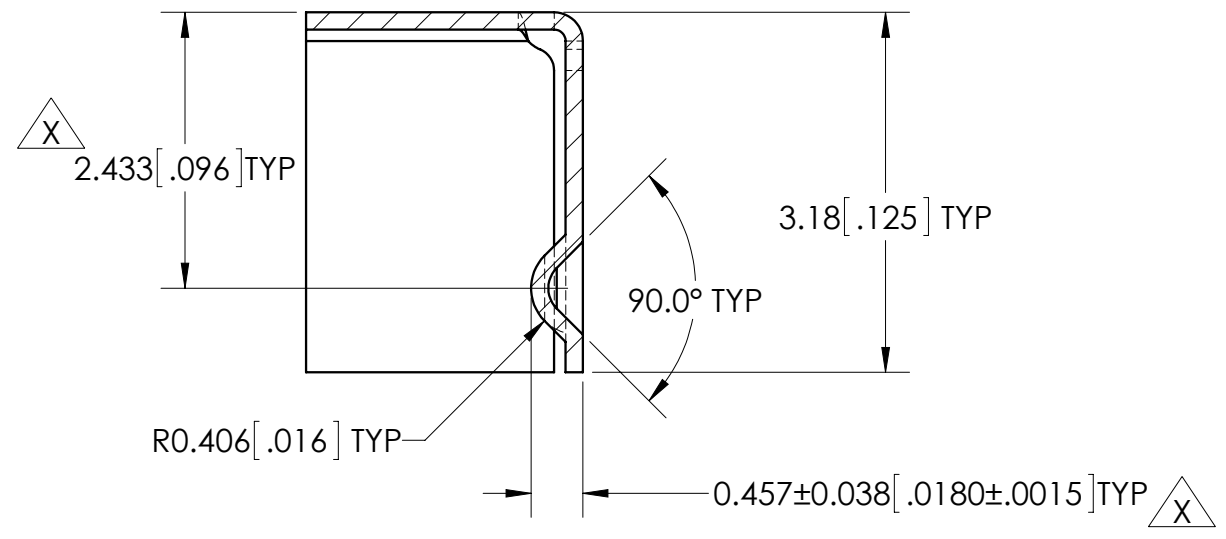
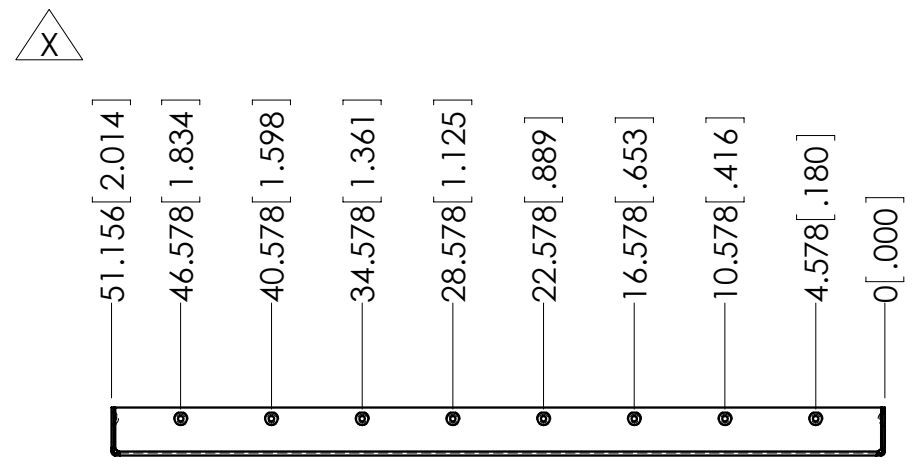
Tel: +86-755-8981 8866 Fax: +86-755-8427 6832

Email & Skype: info@chipsmall.com Web: www.chipsmall.com

Address: A1208, Overseas Decoration Building, #122 Zhenhua RD., Futian, Shenzhen, China



REVISIONS			
REV.	DESCRIPTION	DATE	APPROVED
A	INITIAL RELEASE	4/28/2011	MF



- NOTES:
- TOLERANCE/APPEARANCE:
 - A. NO CHANGE IN PRODUCTION MATERIAL SHALL BE ALLOWED WITHOUT EXPLICIT PRIOR WRITTEN APPROVAL FROM LAIRD TECHNOLOGIES ENGINEERING DEPARTMENT.
 - B. PARTS SHALL BE FREE OF SHARP EDGES. BURRS SHALL NOT EXCEED 10% OF MATERIAL THICKNESS OR 0.15mm WHICHEVER IS LESS.
 - C. REFERENCE DIMENSIONS, SHOWN IN PARENTHESES (DIM), ARE WITHOUT TOLERANCE AND ARE FOR INFORMATION PURPOSES ONLY.
 - D. CRITICAL DIMENSIONS ARE DESIGNATED BY X
 - E. ALL RADII ARE TO BE R0.25 UNLESS OTHERWISE SPECIFIED.
 - F. PART SHALL BE FREE OF OIL OR GREASE
 - G. BULK LAYER

APPROVED
By Brian Donahue at 10:14 am, Oct 18, 2011

This 2d drawing is generated from a 3d solid model. Refer to 3d model for any dimensions not shown on this drawing. 3d model dimensions will always take precedent over drawing dimensions.	Block tolerances apply to metric units only. Dual dimensions shown are for reference only and are displayed in 3 places for conversion purposes only.	UNITS: MM (INCH)		MATERIAL:	THICKNESS:	PART NUMBER:	REV:	DATE:
		TOLERANCES: .X = ± .4 .XX = ± .2 .XXX = ± .1		1008/1010 CRS 1/2 H	0.15 ± .015 [.0060 ± .0006]	BMI-S-230-C	A	04/28/2011
CAD MAINTAINED DRAWING. MANUAL CHANGES UNAUTHORIZED	STD PART REFERENCE: 0077-00xx	ANGULAR: X.X° = ± 3.0° X.XX° = ± 1.0°	3RD ANGLE PROJECTION	FINISH: 1.25-5.00 MICRONS THICK 100% MATTE TIN	PRODUCTION DRAWING CONTROLLED DOCUMENT	INFORMATION CONTAINED IN THIS DOCUMENT IS CONFIDENTIAL AND PROPRIETARY TO LAIRD TECHNOLOGIES. IT MAY NOT BE DISCLOSED TO ANYONE WITHOUT WRITTEN AUTHORIZATION FROM LAIRD TECHNOLOGIES	MODEL/DRAWN BY: MF	APPROVED BY: MF
			DESIGNED IN SOLIDWORKS	ROHS COMPLAINT: (BASE PART) YES		SCALE: 2:1		SHEET 1 OF 1

SIZE
B