



Chipsmall Limited consists of a professional team with an average of over 10 year of expertise in the distribution of electronic components. Based in Hongkong, we have already established firm and mutual-benefit business relationships with customers from,Europe,America and south Asia,supplying obsolete and hard-to-find components to meet their specific needs.

With the principle of “Quality Parts,Customers Priority,Honest Operation,and Considerate Service”,our business mainly focus on the distribution of electronic components. Line cards we deal with include Microchip,ALPS,ROHM,Xilinx,Pulse,ON,Everlight and Freescale. Main products comprise IC,Modules,Potentiometer,IC Socket,Relay,Connector.Our parts cover such applications as commercial,industrial, and automotives areas.

We are looking forward to setting up business relationship with you and hope to provide you with the best service and solution. Let us make a better world for our industry!



Contact us

Tel: +86-755-8981 8866 Fax: +86-755-8427 6832

Email & Skype: info@chipsmall.com Web: www.chipsmall.com

Address: A1208, Overseas Decoration Building, #122 Zhenhua RD., Futian, Shenzhen, China



MODEL BMK6 & BMK7A - BASE MOUNT KIT FOR CUB4, CUB5 & DT8 UNITS



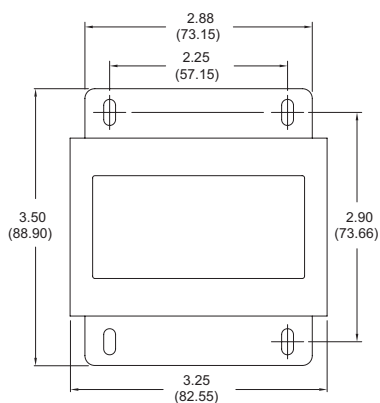
DESCRIPTION

The BMK6 and BMK7A base mounts are designed for use with the CUB4, CUB5, and DT8 units. The BMK7A is large enough to accommodate a Micro-line Power Supply (MLPS) attached to a CUB4, CUB5 or DT8.

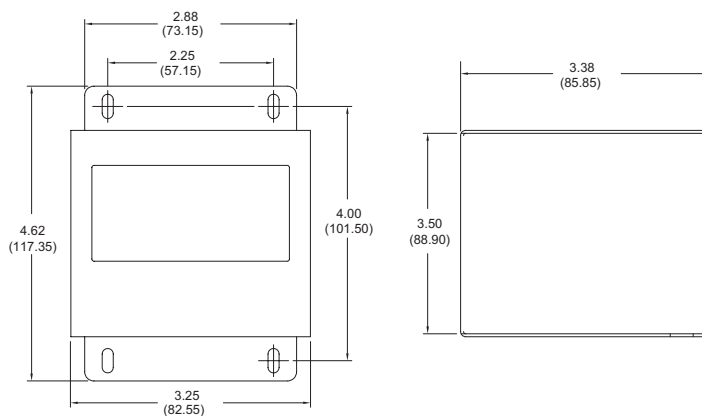
The base mounts are constructed of steel with a textured black finish. Wiring can either be brought through the panel on which the unit is mounted, or through the hole(s) in the enclosure itself. Grommets are provided to insert in the hole(s) on the base mount (where applicable) when wires are routed through it. The grommets are in the accessory bag with each base mount unit, along with four nuts and bolts for mounting.

DIMENSIONS In inches (mm)

**BMK6 - OPEN BASE MOUNT KIT
(Without MLPS)**



**BMK7A - CLOSED BASE MOUNT KIT
(With or Without MLPS)**



INSTALLATION

BMK6 - Open Base Mount

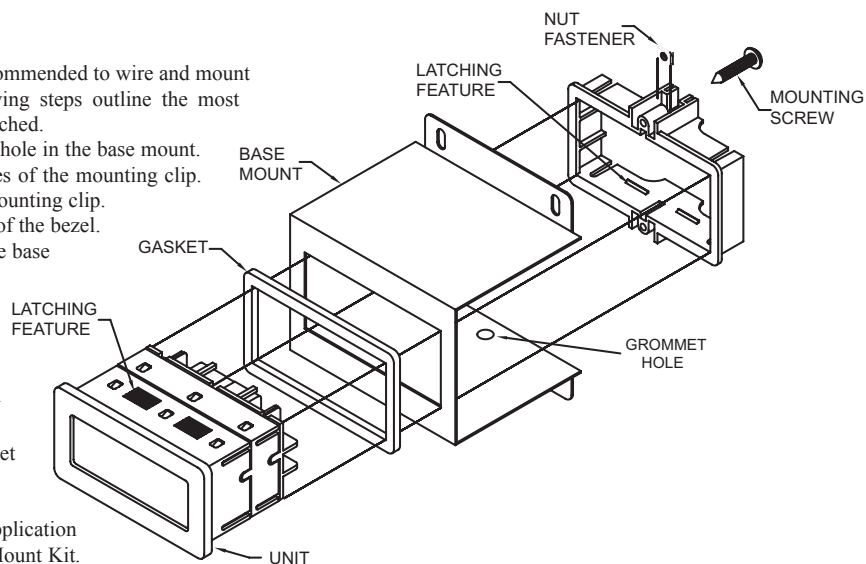
Before attaching the BMK6 to the panel or frame, it is recommended to wire and mount the unit to ensure good electrical connections. The following steps outline the most common sequence for installing a unit without an MLPS attached.

1. Install the grommet (provided in the accessory bag) in the hole in the base mount.
2. Assemble nut fastener and mounting screw onto both sides of the mounting clip.
The tip of the screw should not project from the hole in mounting clip.
3. Slide the panel gasket over the rear of the unit to the back of the bezel.
Then install the unit through the opening in the front of the base mount until the bezel flange makes contact.

4. Slide the mounting clip over the rear of the unit until the mounting clip is against the inside of the base mount. The mounting clip has latching features which engage into mating features on the unit's housing.

Note: It is necessary to hold the unit in place when sliding the mounting clip into position.

5. Alternately tighten each screw to ensure uniform gasket compression.
6. Connect the necessary wires from the grommet to the unit.
7. Mount the base mount enclosure to the panel or frame as application requires. Four bolts and nuts are provided with the Base Mount Kit.

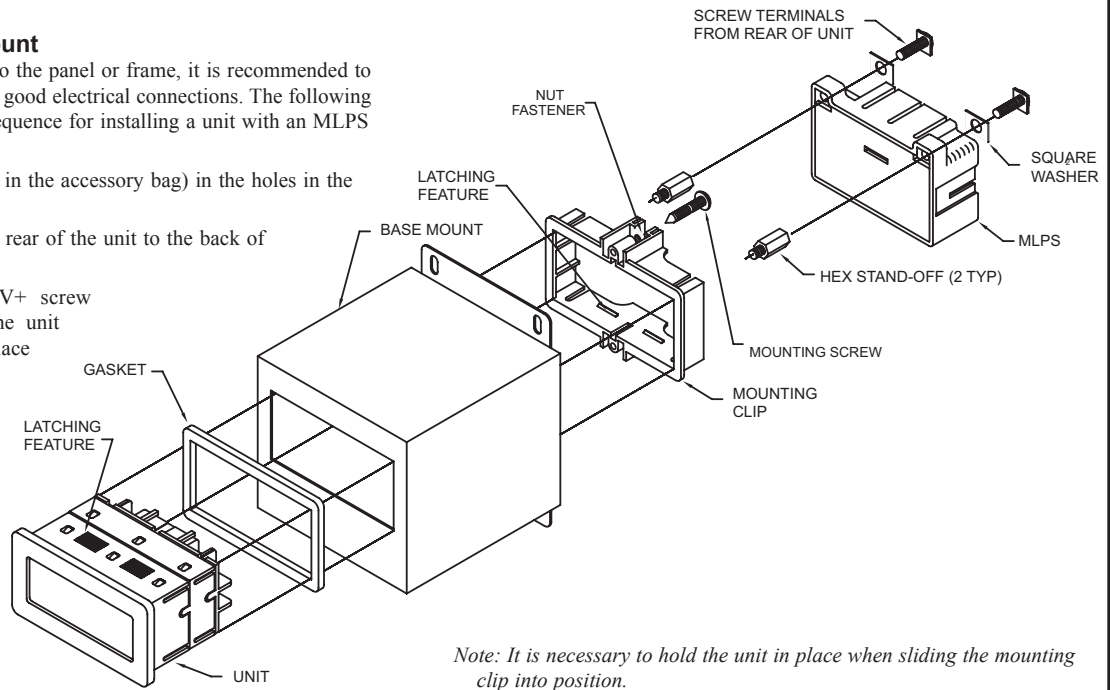


INSTALLATION

BMK7A - Closed Base Mount

Before attaching the BMK7A to the panel or frame, it is recommended to wire and mount the unit to ensure good electrical connections. The following steps outline the most common sequence for installing a unit with an MLPS attached.

1. Install the grommets (provided in the accessory bag) in the holes in the base mount.
2. Slide the panel gasket over the rear of the unit to the back of the bezel.
3. Remove the common and V+ screw terminals from the rear of the unit (save for later use), and replace them with the hex drive stand-offs with round washers (supplied with the MLPS).
4. Assemble nut fastener and mounting screw onto both sides of the mounting clip. The tip of the screw should not project from the hole in mounting clip.
5. Route the wires from the grommets, through the mounting clip, into the rear of the base mount and out the front.
6. Connect the wires necessary for the application to the unit.
7. Install the unit through the opening in the front of the base mount until the bezel flange makes contact.
8. Slide the mounting clip over the rear of the unit until the mounting clip is against the inside of the base mount. The mounting clip has latching features which engage into mating features on the unit's housing.



Note: It is necessary to hold the unit in place when sliding the mounting clip into position.

9. Alternately tighten each screw to ensure uniform gasket compression.
10. Connect AC power to the terminal block of the MLPS.
Note: Make sure the AC selector switch is set to the appropriate position before applying power to the unit.
11. Mount the MLPS and optional sensor wires needed to the stand-offs using the screw terminal from the unit with the supplied square washers.
12. Mount the base mount enclosure to the panel or frame as application requires. Four bolts and nuts are provided with the Base Mount Kit.

ORDERING INFORMATION

MODEL NO	DESCRIPTION	PART NUMBER
BMK	OPEN BASE MOUNT KIT	BMK60000
	CLOSED BASE MOUNT KIT	BMK7A000

Red Lion Controls
Headquarters
20 Willow Springs Circle
York PA 17406
Tel +1 (717) 767-6511
Fax +1 (717) 764-0839

Red Lion Controls
Europe
Softwareweg 9
NL - 3821 BN Amersfoort
Tel +31 (0) 334 723 225
Fax +31 (0) 334 893 793

Red Lion Controls
India
201-B, 2nd Floor, Park Centra
Opp 32 Mile Stone, Sector-30
Gurgaon-122002 Haryana, India
Tel +91 984 487 0503

Red Lion Controls
China
Unit 302, XinAn Plaza
Building 13, No.99 Tianzhou Road
ShangHai, P.R. China 200223
Tel +86 21 6113 3688
Fax +86 21 6113 3683