



Chipsmall Limited consists of a professional team with an average of over 10 year of expertise in the distribution of electronic components. Based in Hongkong, we have already established firm and mutual-benefit business relationships with customers from,Europe,America and south Asia,supplying obsolete and hard-to-find components to meet their specific needs.

With the principle of “Quality Parts,Customers Priority,Honest Operation,and Considerate Service”,our business mainly focus on the distribution of electronic components. Line cards we deal with include Microchip,ALPS,ROHM,Xilinx,Pulse,ON,Everlight and Freescale. Main products comprise IC,Modules,Potentiometer,IC Socket,Relay,Connector.Our parts cover such applications as commercial,industrial, and automotives areas.

We are looking forward to setting up business relationship with you and hope to provide you with the best service and solution. Let us make a better world for our industry!



Contact us

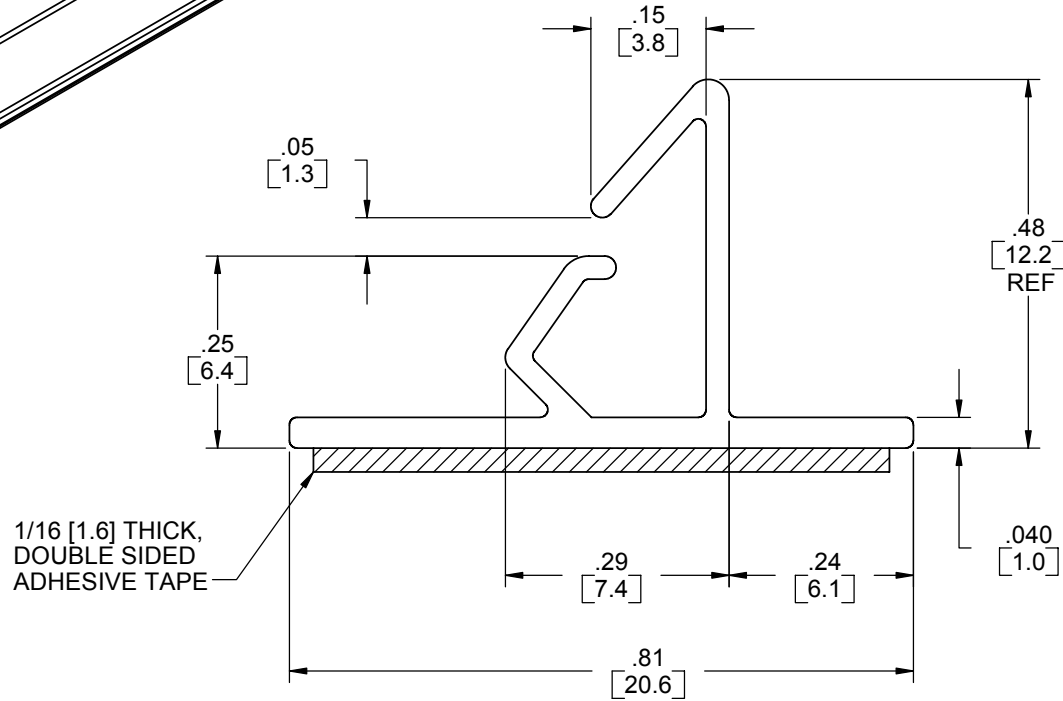
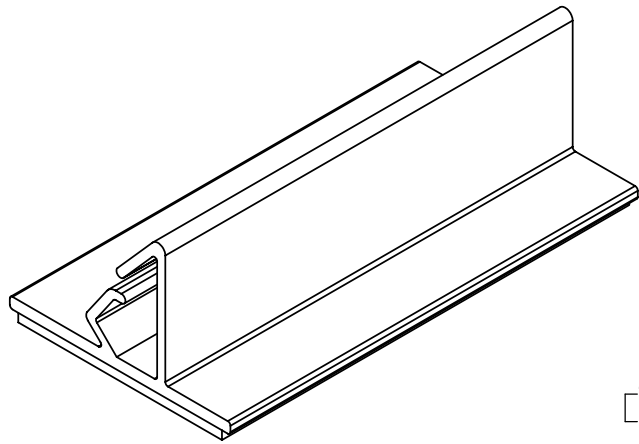
Tel: +86-755-8981 8866 Fax: +86-755-8427 6832

Email & Skype: info@chipsmall.com Web: www.chipsmall.com

Address: A1208, Overseas Decoration Building, #122 Zhenhua RD., Futian, Shenzhen, China



PART NO.	ADHESIVE
BMS-S-48	WITHOUT ADHESIVE
BMS-SA-48	WITH ADHESIVE



- NOTES:
 1. MATERIAL: RIGID PVC (RMS-04).
 2. COLOR: BLACK.
 3. LENGTH: 48.000±.250 (1219.2±6.4).
 4. ACRYLIC ADHESIVE TAPE (RMS-15), WHITE LINER

TITLE: BOARD MOUNTING STRIP - SINGLE					DWG IN IN [MM]	
CREATED USING SOLIDWORKS	FILE #: BMS-S	DWN: SK	APP: -	FINAL		
TOLERANCES UNLESS NOTED .XX=±.02 .XXX=±.015 FRAC.=±1/32 ANG.=±3°	SHEET: 1 OF 1	SHEET SIZE: A	DT: 09/09/05	CHKD: -	PART #	PRINT TYPE
RE: RICHCO, INC.	RICHCO, INC. ENG@RICHCO-INC.COM (773) 539-4060		SEE TABLE		CA	

E	SEE ECN #1055 FOR CHANGES	SK	09/13/05
-	SEE ENGINEERING FOR REV A-D	---	---
REV.	DESCRIPTION	ENGR.	DATE