



Chipsmall Limited consists of a professional team with an average of over 10 year of expertise in the distribution of electronic components. Based in Hongkong, we have already established firm and mutual-benefit business relationships with customers from,Europe,America and south Asia,supplying obsolete and hard-to-find components to meet their specific needs.

With the principle of “Quality Parts,Customers Priority,Honest Operation,and Considerate Service”,our business mainly focus on the distribution of electronic components. Line cards we deal with include Microchip,ALPS,ROHM,Xilinx,Pulse,ON,Everlight and Freescale. Main products comprise IC,Modules,Potentiometer,IC Socket,Relay,Connector.Our parts cover such applications as commercial,industrial, and automotives areas.

We are looking forward to setting up business relationship with you and hope to provide you with the best service and solution. Let us make a better world for our industry!



## Contact us

Tel: +86-755-8981 8866 Fax: +86-755-8427 6832

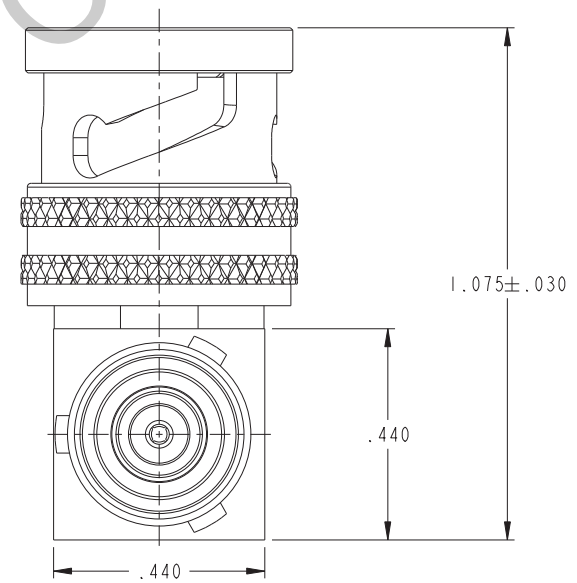
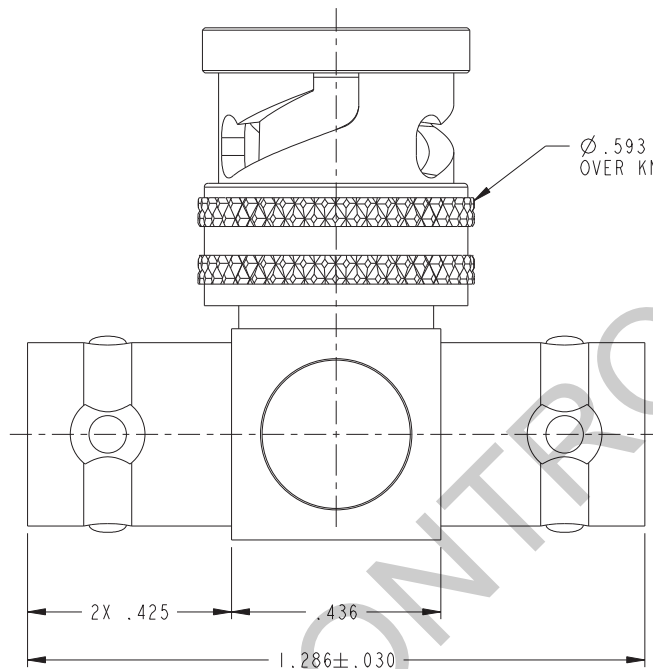
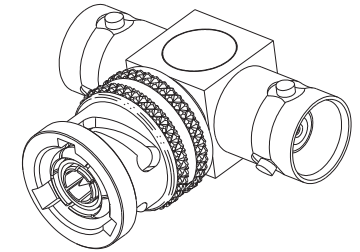
Email & Skype: info@chipsmall.com Web: www.chipsmall.com

Address: A1208, Overseas Decoration Building, #122 Zhenhua RD., Futian, Shenzhen, China



DASH NUMBER	MODEL NUMBER	CONNECTOR TYPE
-1	BN73	3-LUG
-2	BN73TL	2-LUG
-3	BN73FL	4-LUG
-4	BN373	THREADED

ZONE	REV	ECO	DESCRIPTION	APPROVER	DATE
	L	16615		L.M.	7/25/08
	M	53698		T. KOHLER	9/30/11



-1 SHOWN

2. FINISH: NICKEL

1. CONCENTRIC TWINAX/TRIAX 2-LUG, 3-LUG, 4-LUG, & THREADED BAYONET TEE

	MODEL NO.		
	CAGE CODE 14949	TITLE BN73, BN73TL, BN73FL, BN373	MATERIAL
<small>This PROPRIETARY Document is property of Cinch Connectivity Solutions. It is confidential in nature, non-transferable, and issued with the clear understanding that it is not traced or copied without permission and is returnable upon demand.</small>	<small>UNLESS OTHERWISE SPECIFIED UNITS: INCH</small> .XX ± .02 .XXX ± .010 ANGLE ± 1° 00' CRITICAL	<small>3RD ANGLE PROJECTION</small> 	DRAWING NO. 3-0004 REV. M FINISH
DRAWN BY C. WALLACE APPROVED BY T. KOHLER	DATE 10/3/11 DATE 10/4/11	SIZE C DO NOT SCALE DRAWING	SCALE 5:1 SHEET 1 OF 2