



Chipsmall Limited consists of a professional team with an average of over 10 year of expertise in the distribution of electronic components. Based in Hongkong, we have already established firm and mutual-benefit business relationships with customers from,Europe,America and south Asia,supplying obsolete and hard-to-find components to meet their specific needs.

With the principle of “Quality Parts,Customers Priority,Honest Operation,and Considerate Service”,our business mainly focus on the distribution of electronic components. Line cards we deal with include Microchip,ALPS,ROHM,Xilinx,Pulse,ON,Everlight and Freescale. Main products comprise IC,Modules,Potentiometer,IC Socket,Relay,Connector.Our parts cover such applications as commercial,industrial, and automotives areas.

We are looking forward to setting up business relationship with you and hope to provide you with the best service and solution. Let us make a better world for our industry!



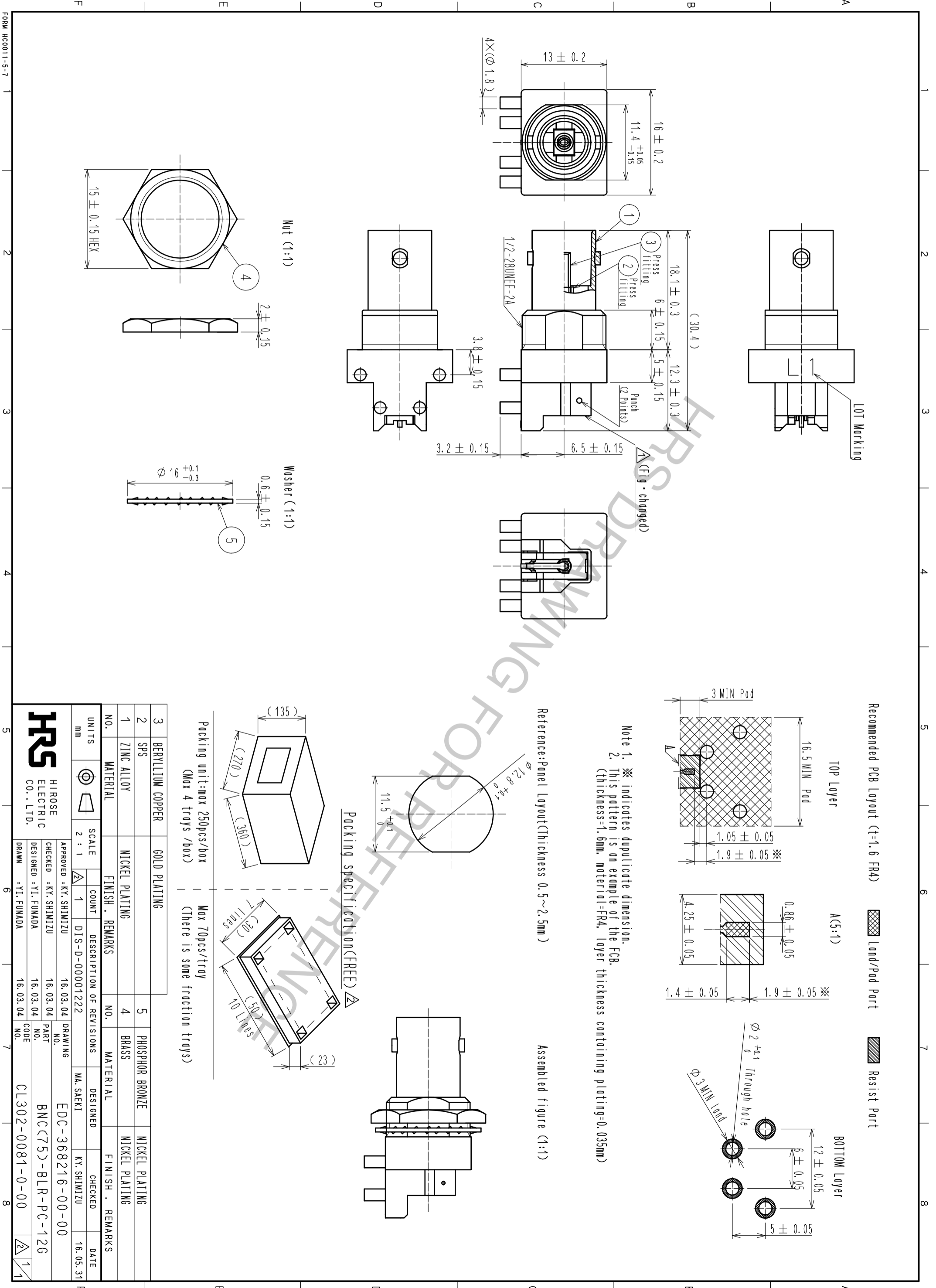
Contact us

Tel: +86-755-8981 8866 Fax: +86-755-8427 6832

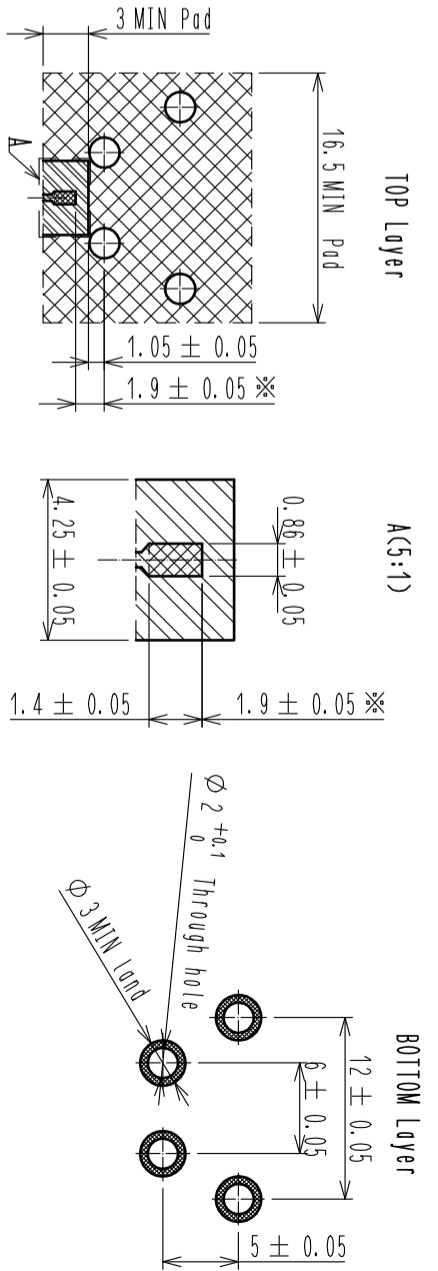
Email & Skype: info@chipsmall.com Web: www.chipsmall.com

Address: A1208, Overseas Decoration Building, #122 Zhenhua RD., Futian, Shenzhen, China



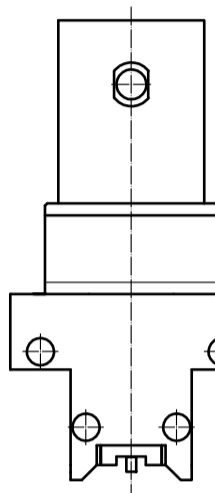


Recommended PCB Layout (t=1.6 FR4) Land/Pad Part Resist Part

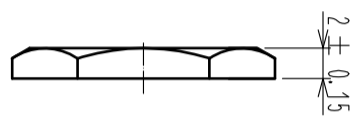


Note 1. ※ indicates duplicate dimension.
 2. This pattern is an example of the PCB.
 (thickness=1.6mm, material=FR4, layer thickness containing plating=0.035mm)

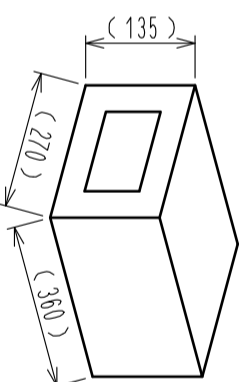
Reference: Panel Layout (thickness 0.5~2.5mm) Assembled figure (1:1)



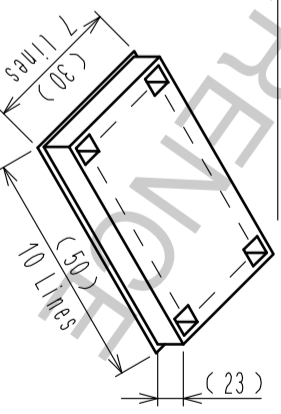
Nut (1:1)



Washer (1:1)



Packing unit: max 250pcs/box
 (Max 4 trays / box)



Packing specification (FREE)

Max 70pcs/tray
 (There is some fraction trays)

3	BERYLLIUM COPPER	GOLD PLATING	5	PHOSPHOR BRONZE	NICKEL PLATING
2	SPS	NICKEL PLATING	4	BRASS	NICKEL PLATING
1	ZINC ALLOY	FINISH . REMARKS	NO.	MATERIAL	FINISH . REMARKS
UNITS	SCALE	COUNT	DESCRIPTION OF REVISIONS	DESIGNED	CHECKED
mm	2 : 1	1	DIS-D-00001222	MA.SAEKI	KY.SHIMIZU
APPROVED : KY. SHIMIZU		DRAWING NO.		EDC-368216-00-00	
CHECKED : KY. SHIMIZU		PART NO.		BNC(75)-BLR-PC-12G	
DESIGNED : YI. FUNADA		CODE NO.		CL302-0081-0-00	
DRAWN : YI. FUNADA		DATE		16.05.31	