



Chipsmall Limited consists of a professional team with an average of over 10 year of expertise in the distribution of electronic components. Based in Hongkong, we have already established firm and mutual-benefit business relationships with customers from,Europe,America and south Asia,supplying obsolete and hard-to-find components to meet their specific needs.

With the principle of "Quality Parts,Customers Priority,Honest Operation,and Considerate Service",our business mainly focus on the distribution of electronic components. Line cards we deal with include Microchip,ALPS,ROHM,Xilinx,Pulse,ON,Everlight and Freescale. Main products comprise IC,Modules,Potentiometer,IC Socket,Relay,Connector.Our parts cover such applications as commercial,industrial, and automotives areas.

We are looking forward to setting up business relationship with you and hope to provide you with the best service and solution. Let us make a better world for our industry!



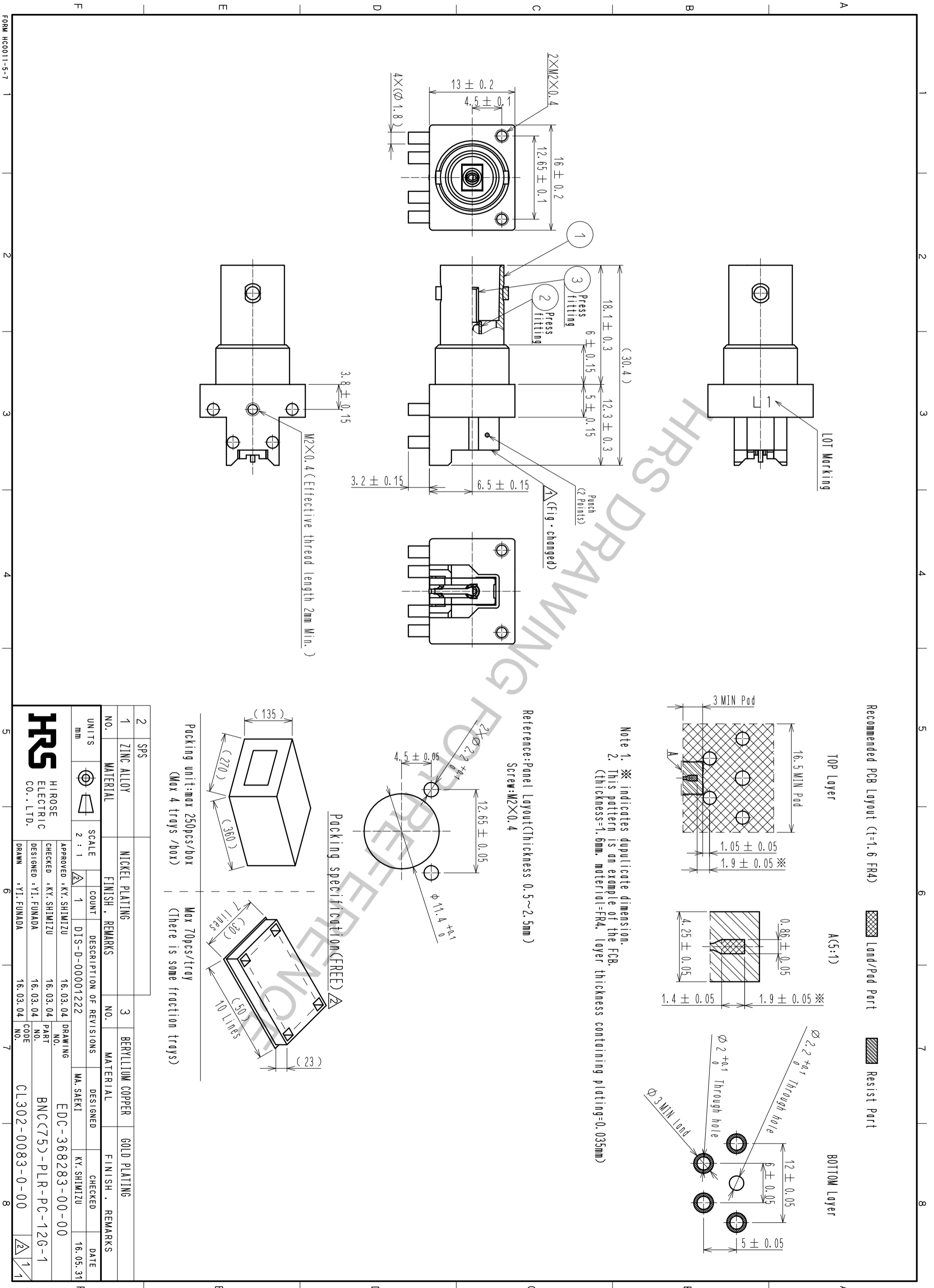
Contact us

Tel: +86-755-8981 8866 Fax: +86-755-8427 6832

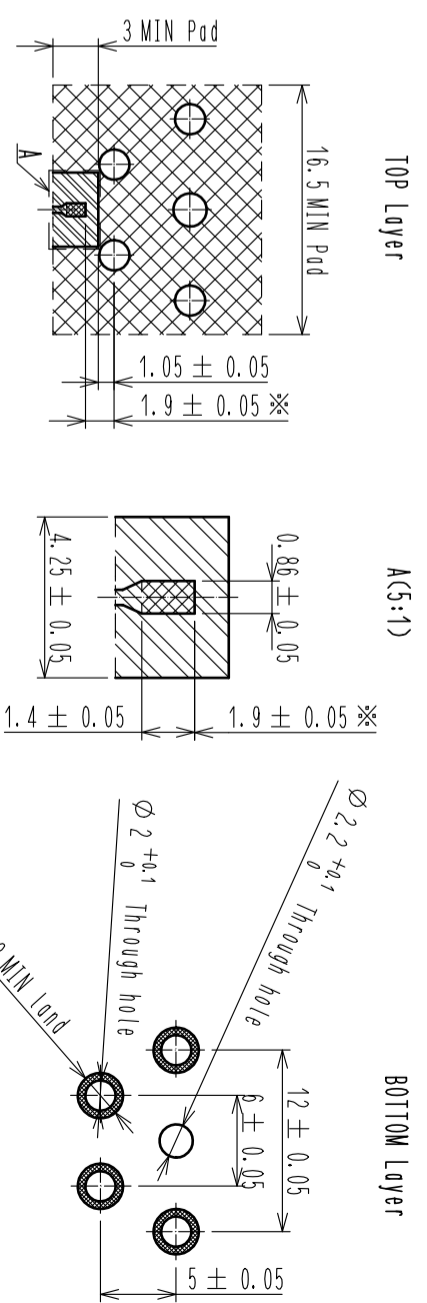
Email & Skype: info@chipsmall.com Web: www.chipsmall.com

Address: A1208, Overseas Decoration Building, #122 Zhenhua RD., Futian, Shenzhen, China



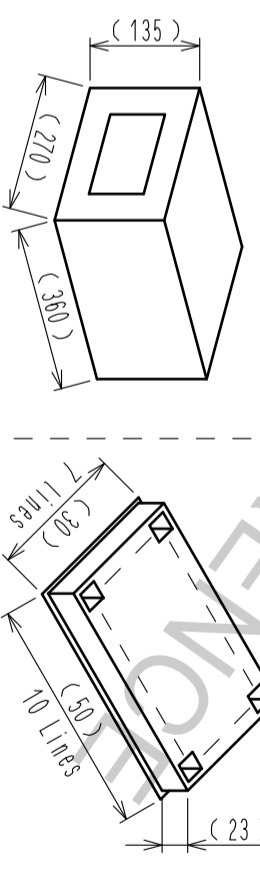
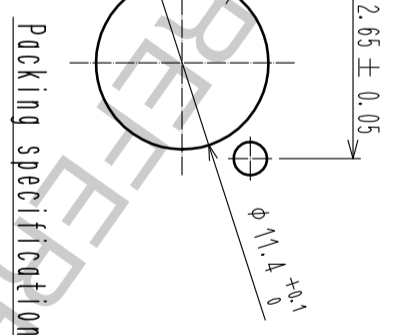
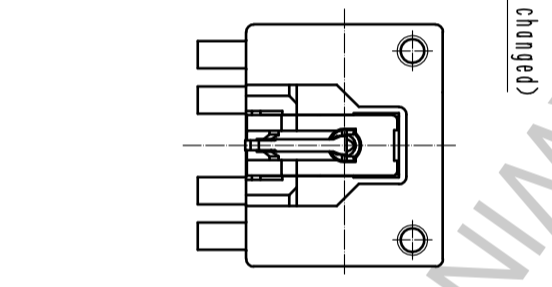


Recommended PCB Layout (t=1.6 FR4) Land/Pad Part Resist Part



Note 1. ※ indicates duplicate dimension.
 2. This pattern is an example of the FCB. (thickness=1.6mm, material=FR4, layer thickness containing plating=0.035mm)

Reference: Panel Layout (Thickness 0.5~2.5mm)
 Screw: M2X0.4



2	SPS	NICKEL PLATING	3	BERYLLIUM COPPER	GOLD PLATING
1	ZINC ALLOY	FINISH . REMARKS			FINISH . REMARKS
UNITS	MATERIAL	NO.	MATERIAL		
mm		SCALE	DESCRIPTION OF REVISIONS	CHECKED	DATE
		2 : 1	DIS-D-00001222	MA.SAEKI	16.05.31
		COUNT	DESIGNED	NO.	
		1	MA.SAEKI	EDC-368283-00-00	
		1	DESIGNED	NO.	
		1	MA.SAEKI	BNC(75)-PLR-PC-126-1	
		1	DESIGNED	NO.	
		1	MA.SAEKI	CL302-0083-0-00	
		1	DESIGNED	NO.	
		1	MA.SAEKI		