



Chipsmall Limited consists of a professional team with an average of over 10 year of expertise in the distribution of electronic components. Based in Hongkong, we have already established firm and mutual-benefit business relationships with customers from,Europe,America and south Asia,supplying obsolete and hard-to-find components to meet their specific needs.

With the principle of “Quality Parts,Customers Priority,Honest Operation,and Considerate Service”,our business mainly focus on the distribution of electronic components. Line cards we deal with include Microchip,ALPS,ROHM,Xilinx,Pulse,ON,Everlight and Freescale. Main products comprise IC,Modules,Potentiometer,IC Socket,Relay,Connector.Our parts cover such applications as commercial,industrial, and automotives areas.

We are looking forward to setting up business relationship with you and hope to provide you with the best service and solution. Let us make a better world for our industry!



## Contact us

Tel: +86-755-8981 8866 Fax: +86-755-8427 6832

Email & Skype: info@chipsmall.com Web: www.chipsmall.com

Address: A1208, Overseas Decoration Building, #122 Zhenhua RD., Futian, Shenzhen, China



**THIS PRODUCT MANUFACTURED WITH LEAD-FREE PROCESSING**

**DESIGNED & DIMENSIONED IN MILLIMETERS [INCHES]**

**BNC7T-J-P-XX-ST-TH1**

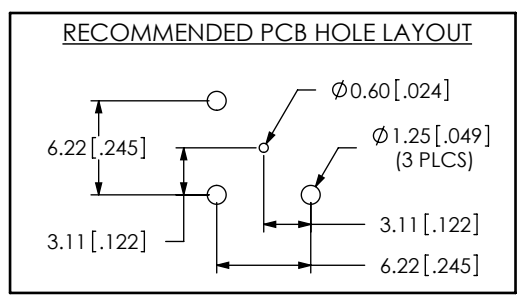
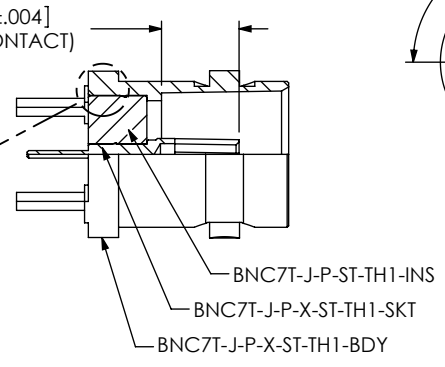
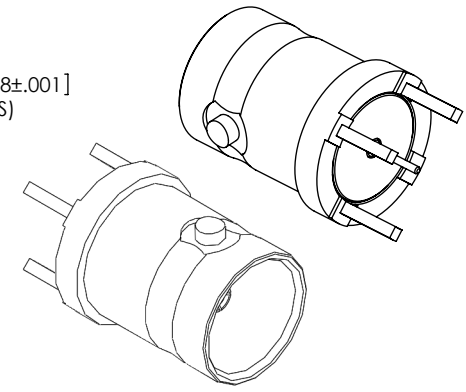
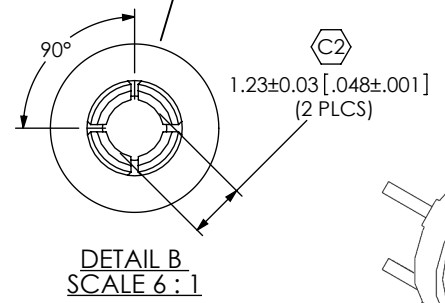
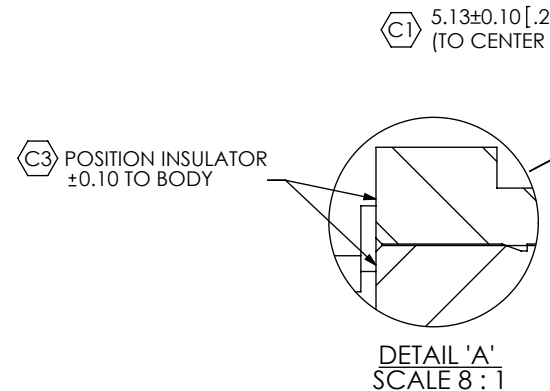
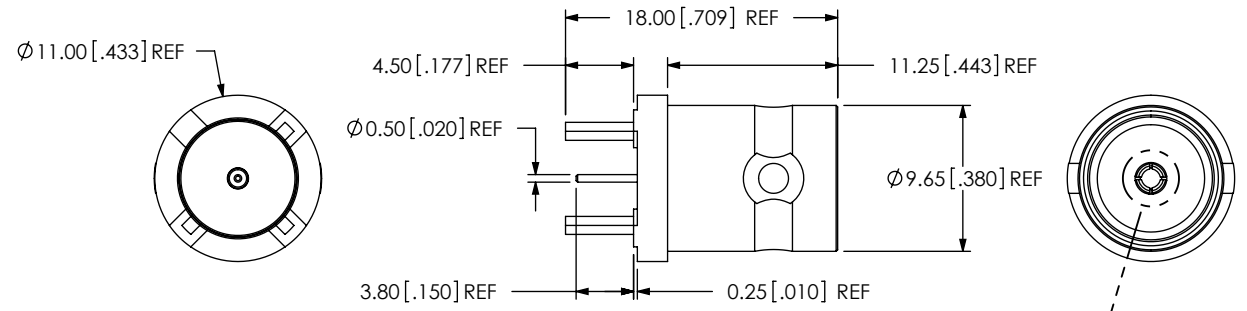
GENDER  
-J: JACK  
TYPE  
-P: PCB  
TERMINATION  
-TH1: THROUGH HOLE  
ORIENTATION  
-ST: STRAIGHT

PLATING SPECIFICATION  
-HN: HEAVY GOLD/NICKEL (SEE NOTES 7 & 8)  
(BNC7T-J-P-N-ST-TH1-BDY)  
(BNC7T-J-P-ST-TH1-INS)  
(BNC7T-J-P-H-ST-TH1-SKT)

-GN: GOLD/NICKEL (SEE NOTES 7 & 8)  
(BNC7T-J-P-N-ST-TH1-BDY)  
(BNC7T-J-P-ST-TH1-INS)  
(BNC7T-J-P-G-ST-TH1-SKT)

\*-MN: GOLD/NICKEL (SEE NOTES 7 & 8)  
(BNC7T-J-P-N-ST-TH1-BDY)  
(BNC7T-J-P-ST-TH1-INS)  
(BNC7T-J-P-G-ST-TH1-SKT)

\*= FOR EXISTING CUSTOMERS ONLY



- NOTES:
1.  $\text{C}$  REPRESENTS A CRITICAL DIMENSION.
  2. PUSHOUT FORCE FOR CENTER CONTACT: 26.69 N [6.0 LB] MIN.
  3. NOTE DELETED.
  4. SEE CO-HD-WI-3040-M RF PACKAGING FOR PACKAGING INSTRUCTIONS.
  5. RoHS COMPLIANT.
  6. SEE PLATING STANDARD CO-PL-FRM-7001-M.
  7. COMPONENT PLATING DESIGNATIONS:  
 -H: 0.000030" MIN. GOLD OVER 0.000050" MIN. NICKEL.  
 -G: 0.000010" MIN. GOLD OVER 0.000050" MIN. NICKEL.  
 -N: 0.000100" MIN. NICKEL.
  8. ASSEMBLY PLATING DESIGNATIONS:  
 -HN: (CENTER CONTACT)-H (OUTER CONTACT) -N (REMAINING METAL PARTS) -N  
 -GN, -MN: (CENTER CONTACT)-G (OUTER CONTACT) -N (REMAINING METAL PARTS) -N
  9. NOTE DELETED.

F:\DWG\MISC\MKTG\BNC7T-J-P-XX-ST-TH1-MKT.SLDDRW

UNLESS OTHERWISE SPECIFIED DIMENSIONS ARE IN MILLIMETERS [INCHES] TOLERANCES ARE: DECIMALS ANGLES .X: $\pm 0.3$ [.01] 2° .XX: $\pm 0.13$ [.005] .XXX: $\pm 0.051$ [.0020]	<b>PROPRIETARY NOTE</b> THIS DOCUMENT CONTAINS INFORMATION CONFIDENTIAL AND PROPRIETARY TO SAMTEC, INC. AND SHALL NOT BE REPRODUCED OR TRANSFERRED TO OTHER DOCUMENTS OR DISCLOSED TO OTHERS OR USED FOR ANY PURPOSE OTHER THAN THAT WHICH IT WAS OBTAINED WITHOUT THE EXPRESSED WRITTEN CONSENT OF SAMTEC, INC.	 520 PARK EAST BLVD, NEW ALBANY, IN 47150 PHONE: 812-944-6733 FAX: 812-948-5047 e-Mail: info@SAMTEC.com code: 55322
<b>MATERIAL:</b> BODY: BRASS CONTACT: COPPER ALLOY DIELECTRIC: PTFE	DO NOT SCALE DRAWING SHEET SCALE: 2:1	
DESCRIPTION: TRUE 75 OHM BNC STRAIGHT JACK FOR PCB		DWG. NO. <b>BNC7T-J-P-XX-ST-TH1</b>
BY: G. HERMAN 09-13-2010		SHEET 1 OF 1