



Chipsmall Limited consists of a professional team with an average of over 10 year of expertise in the distribution of electronic components. Based in Hongkong, we have already established firm and mutual-benefit business relationships with customers from,Europe,America and south Asia,supplying obsolete and hard-to-find components to meet their specific needs.

With the principle of “Quality Parts,Customers Priority,Honest Operation,and Considerate Service”,our business mainly focus on the distribution of electronic components. Line cards we deal with include Microchip,ALPS,ROHM,Xilinx,Pulse,ON,Everlight and Freescale. Main products comprise IC,Modules,Potentiometer,IC Socket,Relay,Connector.Our parts cover such applications as commercial,industrial, and automotives areas.

We are looking forward to setting up business relationship with you and hope to provide you with the best service and solution. Let us make a better world for our industry!



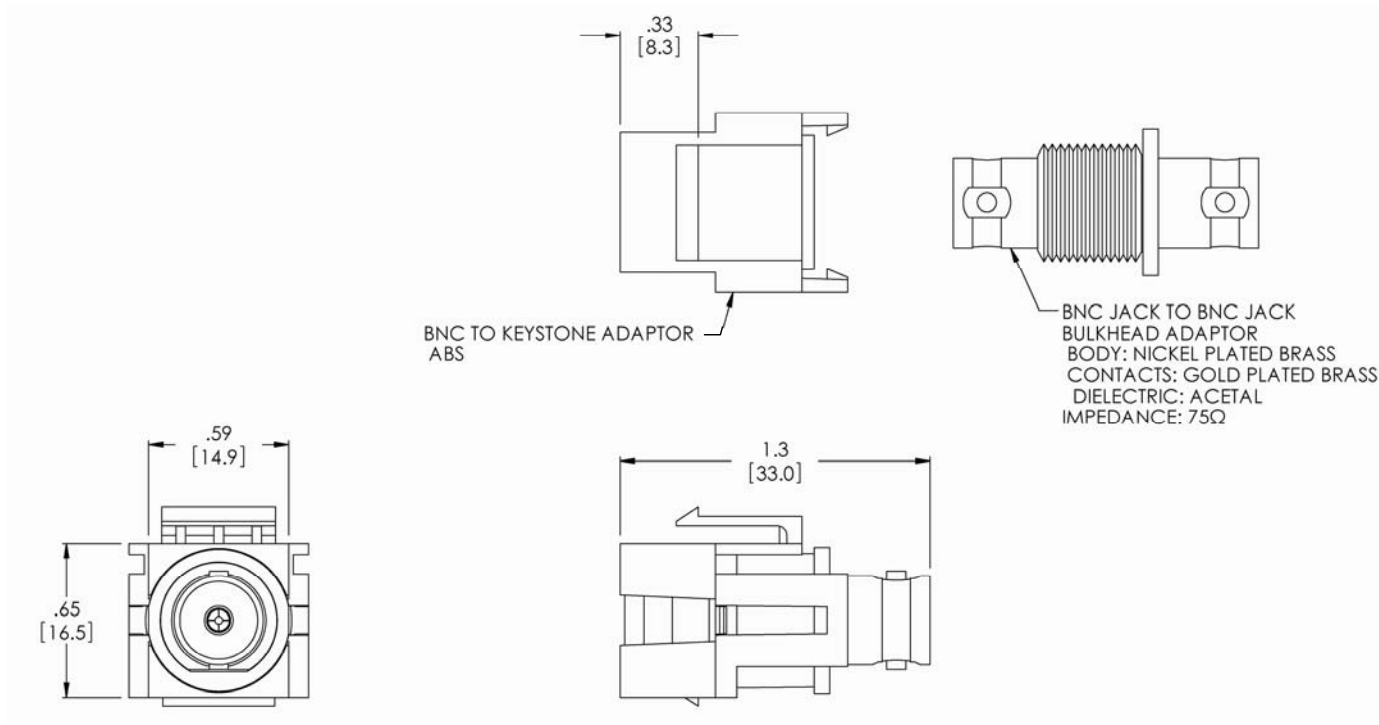
## Contact us

Tel: +86-755-8981 8866 Fax: +86-755-8427 6832

Email & Skype: info@chipsmall.com Web: www.chipsmall.com

Address: A1208, Overseas Decoration Building, #122 Zhenhua RD., Futian, Shenzhen, China





PRODUCT CODE DESCRIPTION

BNCINSERT-\_\_

MODULE COLOR:  
FW - OFFICE WHITE  
W - WHITE  
I - IVORY  
BK - BLACK

**HellermanTyton**

ALL PROPRIETARY RIGHTS IN THE SUBJECT MATTER SHOWN ON THIS DRAWING ARE EXCLUSIVE PROPERTY OF HELLERMANN TYTON

name	date	city, state

REVISION

level	date	by	ECN #	part level
01	01/17/14	AAC	012553	A

TOLERANCES

.XXXX = ±0.005  
.XXX = ±0.005  
.XX = ±0.01  
.X = ±0.03  
∠ = ±0.5°  
unless otherwise specified

units inches

PART

number	BNCINSERT-__	phase	PRODUCTION
name	BNC CONNECTOR MODULE		
material	ABS		

DRAWING

FORMAT	AH version 0	CAD	ACAD	scale	NTS
computer file number	FI/CST/3001021_01		previous number		
drawn	A.A.C.	checked	approved		
date	01/17/14	checked	approved		
type	CUSTOMER		sheet 1 of 1		
number	FI3001021CST				