



Chipsmall Limited consists of a professional team with an average of over 10 year of expertise in the distribution of electronic components. Based in Hongkong, we have already established firm and mutual-benefit business relationships with customers from,Europe,America and south Asia,supplying obsolete and hard-to-find components to meet their specific needs.

With the principle of "Quality Parts,Customers Priority,Honest Operation,and Considerate Service",our business mainly focus on the distribution of electronic components. Line cards we deal with include Microchip,ALPS,ROHM,Xilinx,Pulse,ON,Everlight and Freescale. Main products comprise IC,Modules,Potentiometer,IC Socket,Relay,Connector.Our parts cover such applications as commercial,industrial, and automotives areas.

We are looking forward to setting up business relationship with you and hope to provide you with the best service and solution. Let us make a better world for our industry!



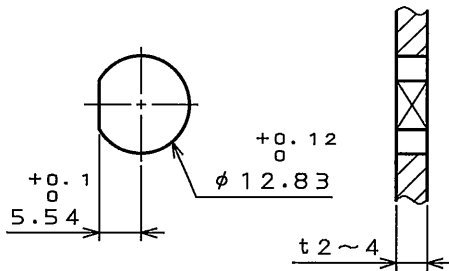
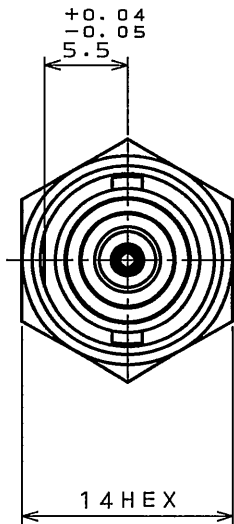
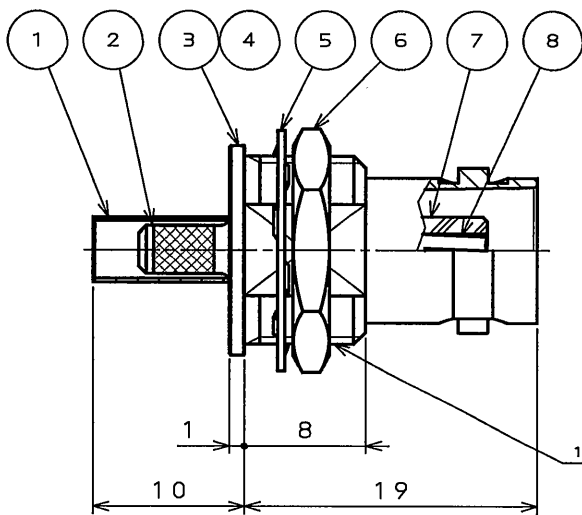
## Contact us

Tel: +86-755-8981 8866 Fax: +86-755-8427 6832

Email & Skype: info@chipsmall.com Web: www.chipsmall.com

Address: A1208, Overseas Decoration Building, #122 Zhenhua RD., Futian, Shenzhen, China





MOUNTING HOLE PATTERNS (REF.)  
取付穴参考寸法  
(SCALE 1:1)

DESIGNATION 命名法

BNCK002D37

CONNECTION No.37:  
SINGLE BRAID COAXIAL CABLE OF 1.5D  
結線番号37:1.5D相当一重編組同軸ケーブル  
CHARACTERISTIC IMPEDANCE : D=50Ω  
特性インピーダンス : D=50Ω

DEVELOPMENT No.  
開発番号

CONNECTOR TYPE : K=STRAIGHT BULK HEAD JACK  
コネクタ形状 : K=ストレートバルクヘッドジャック

SERIES : BNC  
シリーズ名 : BNC同軸コネクタ

①②④⑤⑥⑧ ARE ATTACHED.  
①②④⑤⑥⑧は添付品を示す

符号 NO.	名称 DESCRIPTION	個数 QTY.	材料 MATERIAL	仕上 FINISH	備考 REMARKS
8	SOCKET CONTACT	1	PHOSPHOR BRONZE	GOLD PLATING OVER NICKEL	
7	INSULATOR#2	1	PTFE		
6	HEXAGON NUT	1	BRASS	NICKEL PLATING	
5	TOOTHED LOCK WASHER	1	STAINLESS STEEL		
4	INSULATOR#1	1	PTFE		
3	SHELL	1	BRASS	NICKEL PLATING	
2	SLEEVE	1	BRASS	NICKEL PLATING	
1	FERRULE	1	BRASS	NICKEL PLATING	

DOF-0-211E(03.08)

仕様書 (SPECIFICATION) JACS-2002B JAHL-2002B-2		第1版 (ORIGINAL DATE) 10. Dec. 2004		名称 (TITLE) BNCK002D37		日本航空電子工業株式会社 JAPAN AVIATION ELECTRONICS INDUSTRY, LTD.	
公差 (GENERAL TOLERANCE)		製図 DR.		担当 CHK.		図面番号 (DRAWING NO.) SJ102755	
寸法 (DIMENSION) 角度 (ANGLES)		T. EBISAWA		T. MIYASHITA			
. ± 0.8 .X ± 0.4 .XX ± 0.1 .XXX ±		X° ± X°X ±		Y. Sugi			
		承認 APPD.		承認 APPD.		シリーズ (SERIES) 尺度 (SCALE) BNC 2:1	
						版数 (REV.) 1	

LEAD FREE この製品は鉛フリー品です