



Chipsmall Limited consists of a professional team with an average of over 10 year of expertise in the distribution of electronic components. Based in Hongkong, we have already established firm and mutual-benefit business relationships with customers from,Europe,America and south Asia,supplying obsolete and hard-to-find components to meet their specific needs.

With the principle of “Quality Parts,Customers Priority,Honest Operation,and Considerate Service”,our business mainly focus on the distribution of electronic components. Line cards we deal with include Microchip,ALPS,ROHM,Xilinx,Pulse,ON,Everlight and Freescale. Main products comprise IC,Modules,Potentiometer,IC Socket,Relay,Connector.Our parts cover such applications as commercial,industrial, and automotives areas.

We are looking forward to setting up business relationship with you and hope to provide you with the best service and solution. Let us make a better world for our industry!



Contact us

Tel: +86-755-8981 8866 Fax: +86-755-8427 6832

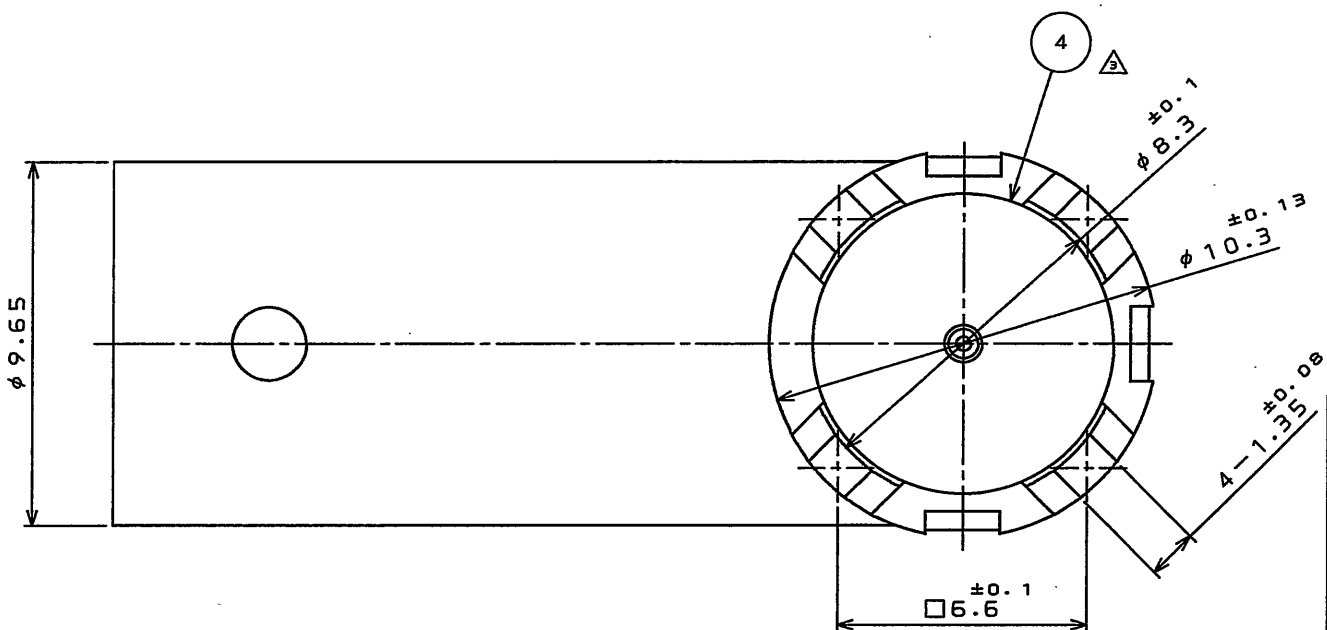
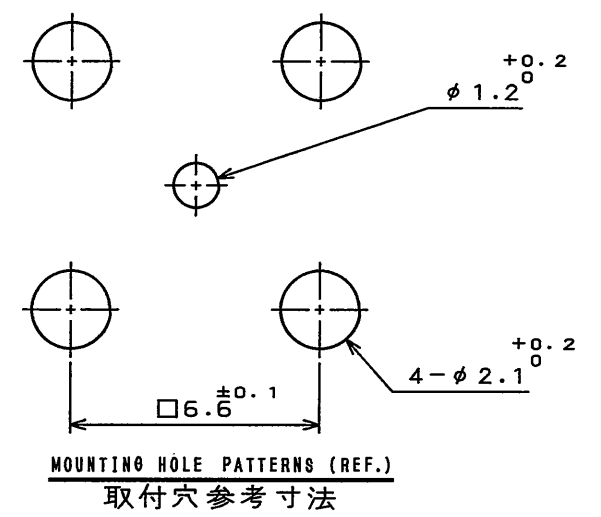
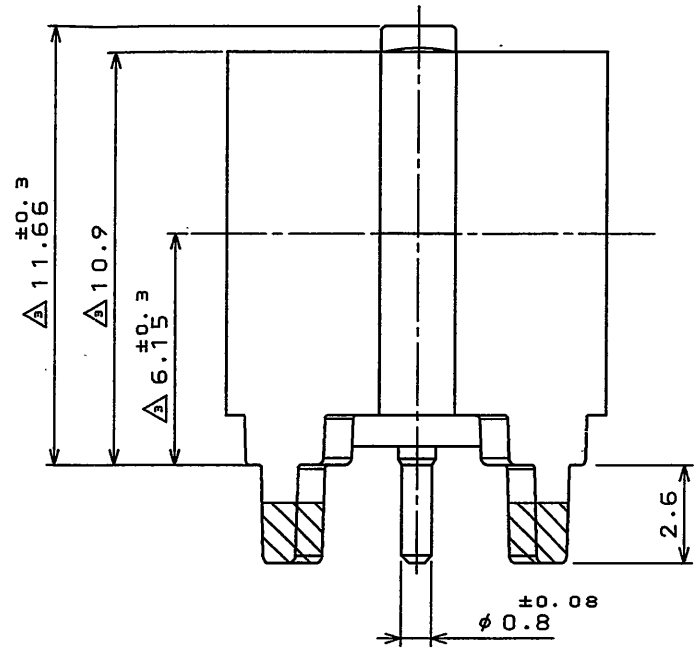
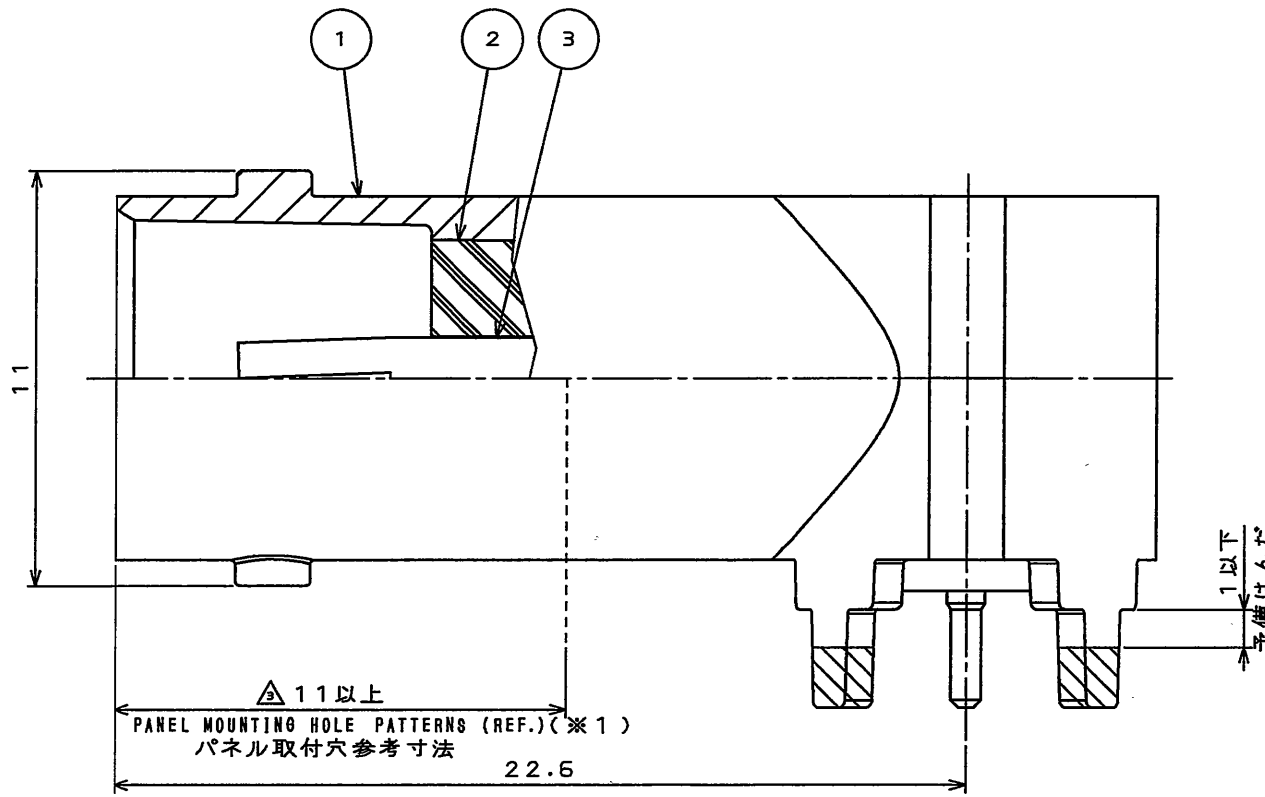
Email & Skype: info@chipsmall.com Web: www.chipsmall.com

Address: A1208, Overseas Decoration Building, #122 Zhenhua RD., Futian, Shenzhen, China



145EOLVS
(DRAWING NO.)

版数 REV.	年月日 DATE	DCN NO.	変更内容 DESCRIPTION	製図 DR.	担当 CHK.	査閲 APPD.	承認 APPD.
2	6.Sep.2005	058215	ADDITION OF PLATING THICKNESS		T.EBISAWA	T.MIYASHITA	Y.SUGII
3	6.Aug.2009	068407	ADDITION OF DIMENSION AND MOUNTING HOLE PATTERNS (REF.)		R.KATOU	K.FURUKATSU	Y.OTSUKA
4	14.Jan.2011	071420	REDRAWN (JAPANESE → BILINGUAL)		T.SHIINA	K.FURUKATSU	T.MIYASHITA



符号 NO.	名称 DESCRIPTION	個数 QTY.	材料 MATERIAL	仕上 FINISH	備考 REMARKS
4	INSULATOR#1	1	PTFE		
3	SOCKET CONTACT	1	PHOSPHOR BRONZE	GOLD PLATING OVER NICKEL	NI 1.5μm Min. Au 0.1μm Min. △
2	INSULATOR#2	1	PMP		
1	SHELL	1	ZINC ALLOY	NICKEL PLATING OVER COPPER	Cu 5.0~12.0μm NI 1.5~7.0μm △

DESIGNATION 命名法
BNC S007C00

CONNECTION No.00 : NO CONNECTION 結線タイプ : 結線ではない
CHARACTERISTIC IMPEDANCE : 0=75Ω 特性インピーダンス : 0=75Ω

DEVELOPMENT No. 開発番号

CONNECTER TYPE:S = RIGHT ANGLE RECEPTACLE コネクタ形状:=ライトアングルレセプタクル

SERIES : BNC シリーズ名 : BNC同軸コネクタ

仕様書 (SPECIFICATION)	第1版 (ORIGINAL DATE)	尺度 (SCALE)	シリーズ (SERIES)	日本航空電子工業株式会社 JAPAN AVIATION ELECTRONICS INDUSTRY, LTD.
JACS-2097	16.Mar.2005	5:1	BNC	
公差 (GENERAL TOLERANCE)	製図 DR.	名称 (TITLE)		
寸法 (DIMENSION)	担当 CHK.	BNC S007C00		
・ ±0.8	査閲 APPD.	質量 (MASS)		図面番号 (DRAWING NO.) SJ103514
・ X ±0.4	承認 APPD.			
・ XX ±0.1				
・ XXX ±				

DOF-0-212F(05.08)

