



Chipsmall Limited consists of a professional team with an average of over 10 year of expertise in the distribution of electronic components. Based in Hongkong, we have already established firm and mutual-benefit business relationships with customers from,Europe,America and south Asia,supplying obsolete and hard-to-find components to meet their specific needs.

With the principle of "Quality Parts,Customers Priority,Honest Operation,and Considerate Service",our business mainly focus on the distribution of electronic components. Line cards we deal with include Microchip,ALPS,ROHM,Xilinx,Pulse,ON,Everlight and Freescale. Main products comprise IC,Modules,Potentiometer,IC Socket,Relay,Connector.Our parts cover such applications as commercial,industrial, and automotives areas.

We are looking forward to setting up business relationship with you and hope to provide you with the best service and solution. Let us make a better world for our industry!



## Contact us

Tel: +86-755-8981 8866 Fax: +86-755-8427 6832

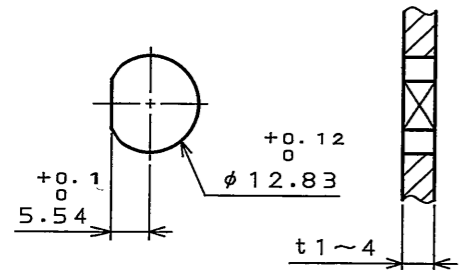
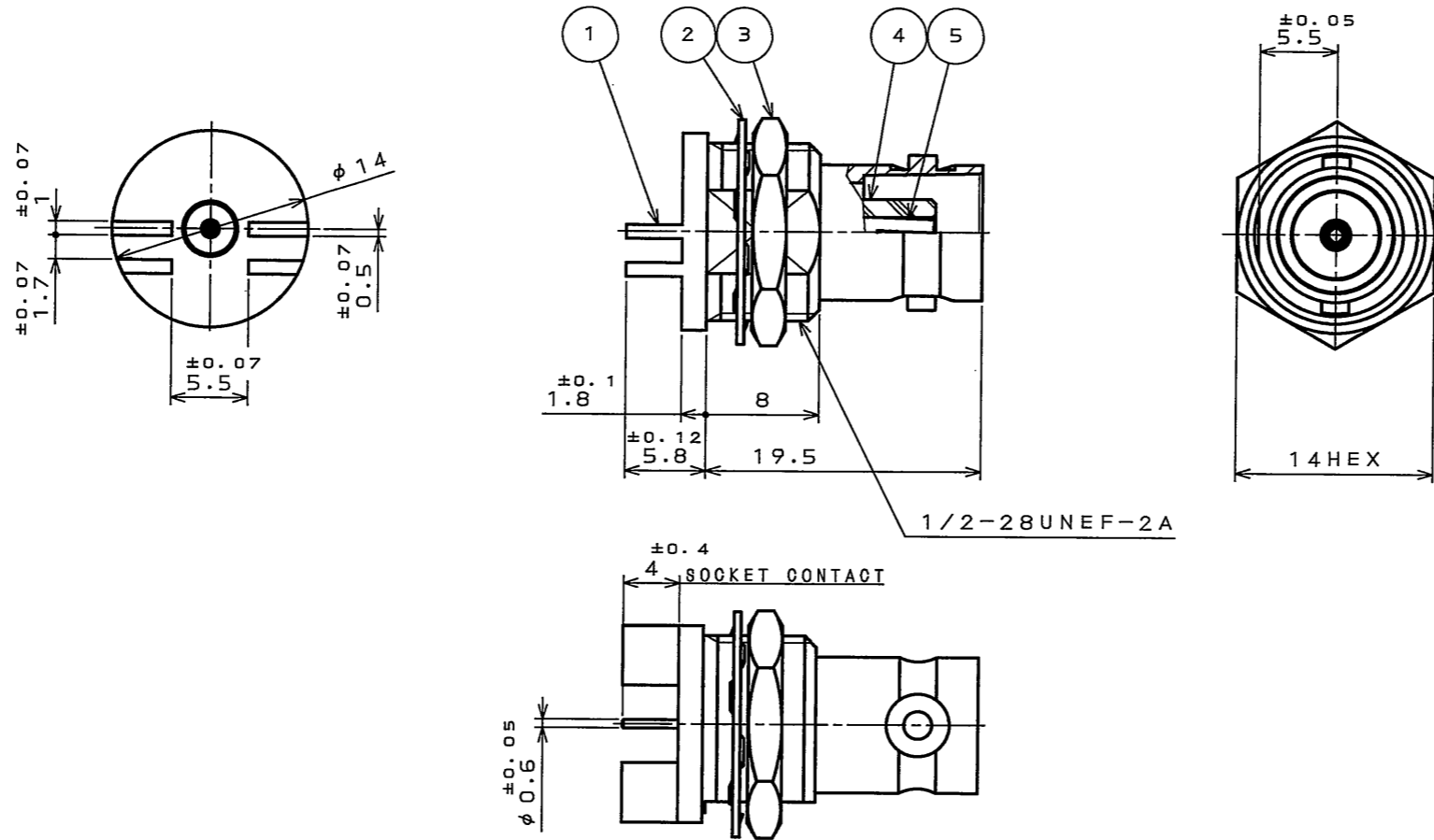
Email & Skype: info@chipsmall.com Web: www.chipsmall.com

Address: A1208, Overseas Decoration Building, #122 Zhenhua RD., Futian, Shenzhen, China



SJ102377  
(DRAWING NO.)

版数 REV.	年月日 DATE	DCN NO.	変更内容 DESCRIPTION	製図 DR.	担当 CHK.	査閲 APPD.	承認 APPD.



MOUNTING HOLE PATTERNS (REF.)  
取付穴参考寸法  
(SCALE 1:1)

**DESIGNATION 命名法**  
**BNCV001D00**  
 CONNECTION No.00 : NO CONNECTION  
 結線タイプ : 結線ではない  
 CHARACTERISTIC IMPEDANCE : D=50Ω  
 特性インピーダンス : D=50Ω  
 DEVELOPMENT No.  
 開発番号  
 CONNECTOR TYPE:R = STRAIGHT BULK HEAD RECEPTACLE  
 コネクタ形状:V=ストレートバルクヘッドレセプタクル  
 SERIES : BNC  
 シリーズ名:BNC同軸コネクタ

THE PARTS SHOW WITH ※ ARE ATTACHED.  
 ※は添付品を示す

符号 NO.	名称 DESCRIPTION	個数 QTY.	材料 MATERIAL	仕上 FINISH	備考 REMARKS
5	SOCKET CONTACT	1	PHOSPHOR BRONZE	GOLD PLATING OVER NICKEL	
4	INSULATOR	1	PTFE		
※ 3	HEXAGON NUT	1	BRASS	NICKEL PLATING	
※ 2	TOOTHED LOCK WASHER	1	STAINLESS STEEL		
1	SHELL	1	BRASS	NICKEL PLATING	

仕様書 (SPECIFICATION)	第1版 (ORIGINAL DATE)	尺度 (SCALE)	シリーズ (SERIES)
JACS-20028	6.Dec.2004	2:1	BNC
公差 (GENERAL TOLERANCE)	製図 DR.	名称 (TITLE)	
寸法 (DIMENSION)	担当 CHK.	BNCV001D00	
角度 (ANGLES)	査閲 APPD.	日本航空電子工業株式会社 JAPAN AVIATION ELECTRONICS INDUSTRY, LTD.	
. ±0.8	承認 APPD.	図面番号 (DRAWING NO.)	
.X ±0.4		SJ102377	
.XX ±0.1		質量 (MASS)	版数 (REV.)
.XXX ±			1

DOF-0-212E(03.08)

