



Chipsmall Limited consists of a professional team with an average of over 10 year of expertise in the distribution of electronic components. Based in Hongkong, we have already established firm and mutual-benefit business relationships with customers from,Europe,America and south Asia,supplying obsolete and hard-to-find components to meet their specific needs.

With the principle of “Quality Parts,Customers Priority,Honest Operation,and Considerate Service”,our business mainly focus on the distribution of electronic components. Line cards we deal with include Microchip,ALPS,ROHM,Xilinx,Pulse,ON,Everlight and Freescale. Main products comprise IC,Modules,Potentiometer,IC Socket,Relay,Connector.Our parts cover such applications as commercial,industrial, and automotives areas.

We are looking forward to setting up business relationship with you and hope to provide you with the best service and solution. Let us make a better world for our industry!



Contact us

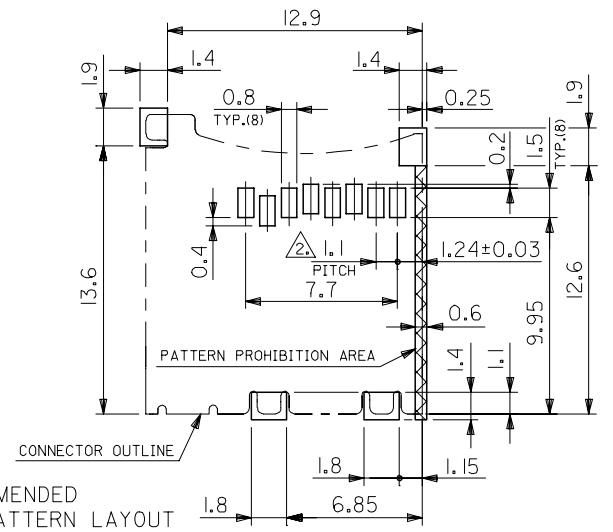
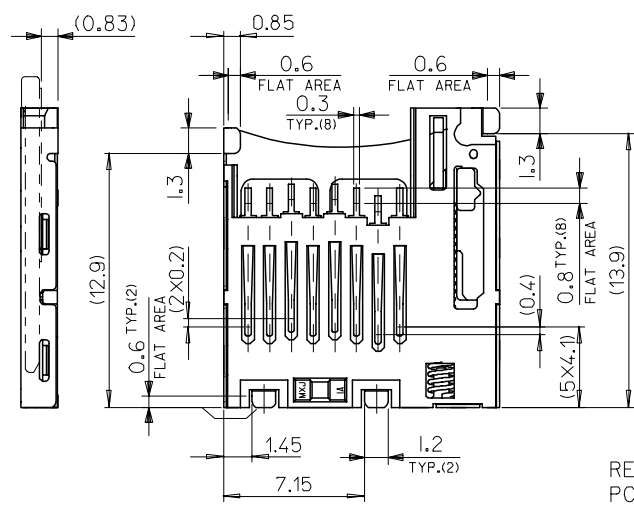
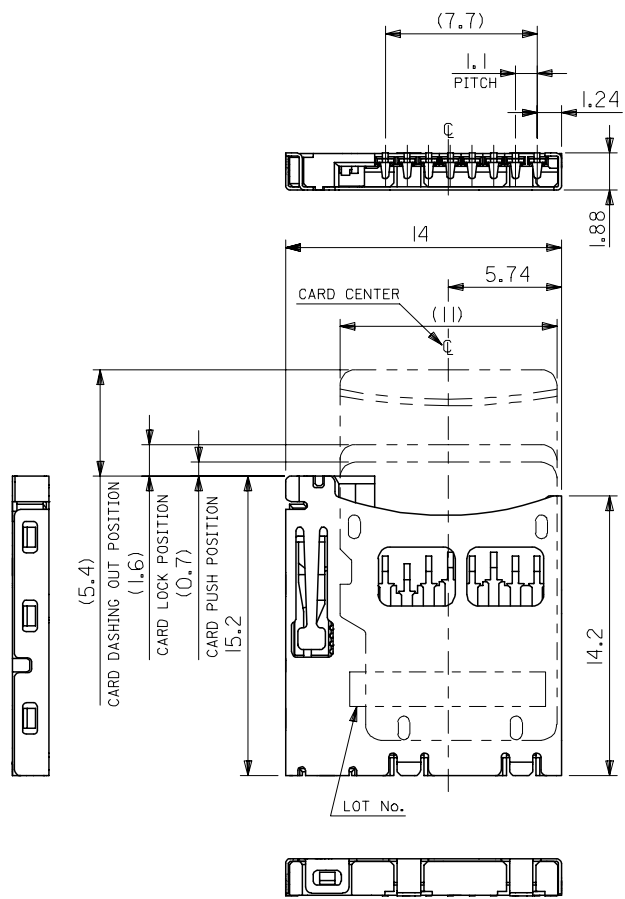
Tel: +86-755-8981 8866 Fax: +86-755-8427 6832

Email & Skype: info@chipsmall.com Web: www.chipsmall.com

Address: A1208, Overseas Decoration Building, #122 Zhenhua RD., Futian, Shenzhen, China



PARTS	QTY	MATERIAL	FINISH
ハウジング HOUSING	1	ガラス入り耐熱樹脂 (LCP), UL94V-0 色:黒 HEAT RESISTANCE POLYMER (LCP), UL94V-0, BLACK	—
スライダーカム SLIDER CAM	1	ガラス入り耐熱樹脂 (LCP), UL94V-0 色:黒 HEAT RESISTANCE POLYMER (LCP), UL94V-0, BLACK	—
ターミナル TERMINAL	8	コルソン銅 CORSON COPPER	接点部:金メッキ 0.5μm MIN. CONTACT AREA: GOLD 0.5μm MIN. 下地:ニッケルメッキ 2.0μm MIN. UNDER PLATING: NICKEL 2.0μm MIN. 半田付け部:錫メッキ 1.0μm MIN. SOLDER AREA: TIN 1.0μm MIN.
メタルカバー METAL COVER	1	ステンレス鋼 STAINLESS STEEL	全面:ニッケルメッキ 1.0μm MIN. ALL OVER: NICKEL 1.0μm MIN.
ピン PIN	1	ステンレス鋼 STAINLESS STEEL	—
スプリング SPRING	1	ピアノ線 SWP	全面:ニッケルメッキ ALL OVER: NICKEL



RECOMMENDED
PCB PATTERN LAYOUT
(GENERAL TOLERANCE : ±0.05)

NOTES

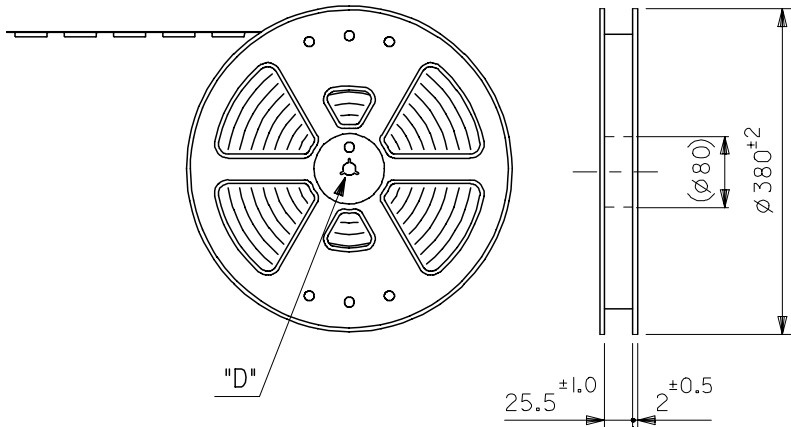
- 1. ターミナル及びネイルの平坦度は 0.1 MAX.
TERMINAL AND NAIL COPLANARITY TO BE 0.1 MAX.
- △ 公差非累積
TOLERANCE : NON-CUMULATIVE

EMBOSSED TAPE	500873-0801	500873-08**
CONNECTOR ONLY	500873-0809	
PACKAGE	MATERIAL No.	MODEL No.

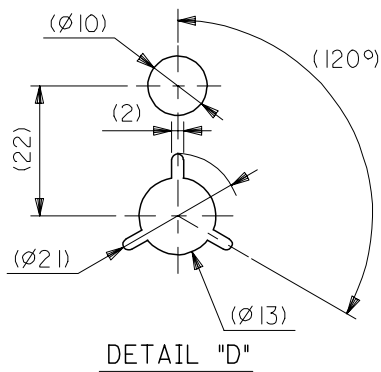
REVISED EC NO: J2005-0240 DRAWN: NABEI 2004/07/29 CHK'D: SMARUYAM 2004/08/02 APPR: MSASAO 2004/08/03	GENERAL TOLERANCES (UNLESS SPECIFIED)		DIMENSION STYLE MM ONLY		SCALE 4:1	DESIGN UNITS METRIC	THIRD ANGLE PROJECTION
	10 UNDER	±0.2	DRAWN BY SMARUYAM	DATE '03/08/28	TITLE TFR MEMORY CARD CONN. PUSH/PUSH NORMAL TYPE		
	10 OVER 30 UNDER	±0.25	CHECKED BY MSASAO	DATE '03/08/28			
	30 OVER	±0.3	APPROVED BY MSASAO	DATE '03/08/28			
	ANGULAR ±3 °		DRAFT WHERE APPLICABLE MUST REMAIN WITHIN DIMENSIONS		MATERIAL NO. SEE CHART		DOCUMENT NO. SD-500873-001
THIS DRAWING CONTAINS INFORMATION THAT IS PROPRIETARY TO MOLEX INCORPORATED AND SHOULD NOT BE USED WITHOUT WRITTEN PERMISSION							

10 9 8 7 6 5 4 3 2 1

引き出し方向
PULL OUT DIRECTION



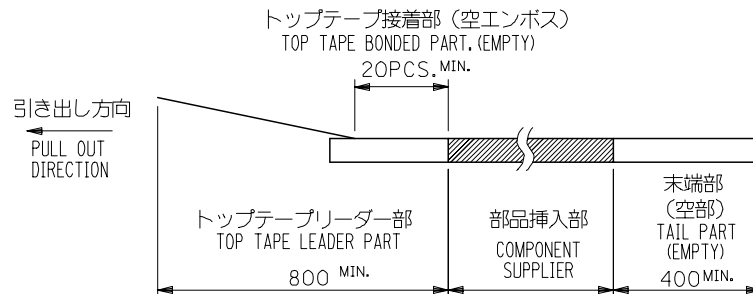
"D"



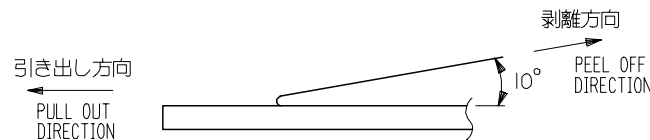
DETAIL "D"

NOTES

1. 製品詳細寸法については、SD図面を参照下さい。
RE DETAILED DIMENSION, SEE SALES DRAWING.
2. 梱包数量：1400個/リール
NUMBER OF CONNECTORS：1400PCS/REEL
3. リードテープ長さ LEAD TAPE LENGTH



4. トップテープの剥離強度：0.1N～1.3N (10.2gf～130gf) (剥離方向は下図参照) 尚、本規格値は出荷時に適用。(但し、輸送時に剥離が発生しないこと。)
PEELING OFF FORCE OF TOP TAPE：0.1N～1.3N (10.2gf～130gf)
(PEELING DIRECTION AS SHOWN IN FOLLOWING FIG.)
THIS REQUIREMENT SHOULD BE APPLIED AT SHIPMENT.
PEEL OFF SHOULD NOT BE ALLOWED, DURING TRANSPORTATION.



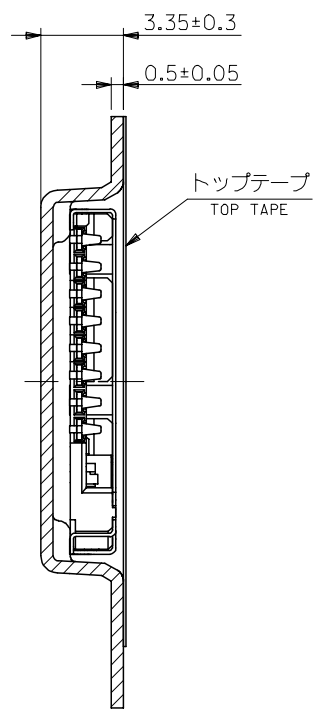
5. 材料 (MATERIAL)

キャリアテープ (CARRIER TAPE)：ポリプロピレン (POLYPROPYLENE)
トップテープ (TOPTAPE)：PET, PE, PEF
リール (REEL)：ポリスチレン (PS) <リサイクル材を含む>
POLYSTYRENE (PS) <RECYCLE MATERIAL CONTAINED>

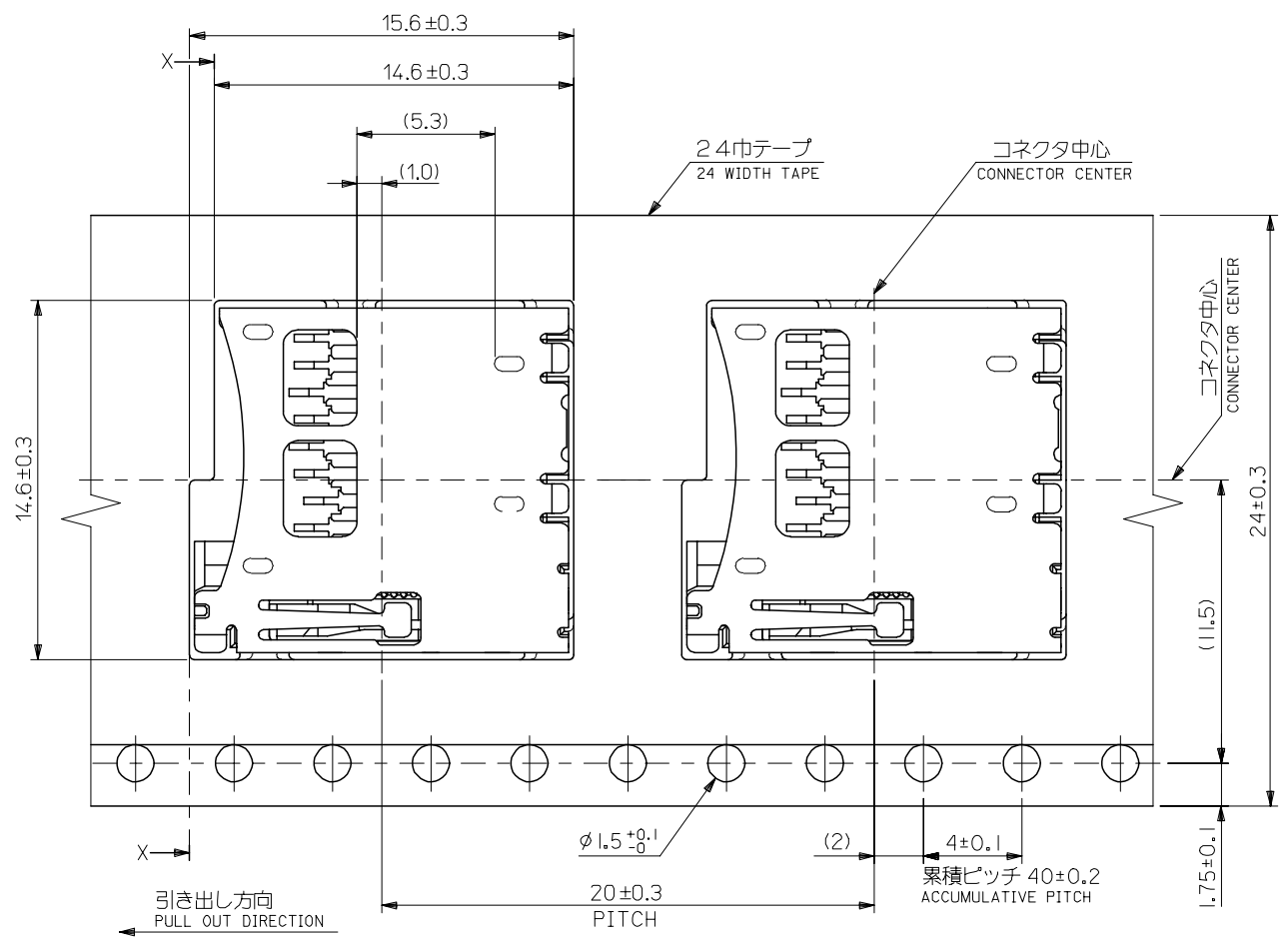
REVISED EC NO: J2005-3083 DRAWN: AOYAGI 2005/04/13 CHKD: TANAKA 2005/04/14 APPR: NUKITA 2005/04/22	GENERAL TOLERANCES (UNLESS SPECIFIED)		DIMENSION STYLE MM ONLY		SCALE ---	DESIGN UNITS METRIC	THIRD ANGLE PROJECTION	
	10 UNDER	±0.2	DRAWN BY S. MARUYA		DATE 2004/06/30	TITLE TFR CARD CONN. EMBOSSSED TAPE PACKAGE		
	10 OVER 30 UNDER	±0.25	CHECKED BY M. SASAO		DATE 2004/06/30			
	30 OVER	±0.3	APPROVED BY M. SASAO		DATE 2004/06/30	MOLEX INCORPORATED		
	ANGULAR	±3 °	MATERIAL NO. 500873-0801		DOCUMENT NO. SD-500873-002			
DRAFT WHERE APPLICABLE MUST REMAIN WITHIN DIMENSIONS		SIZE A3 THIS DRAWING CONTAINS INFORMATION THAT IS PROPRIETARY TO MOLEX INCORPORATED AND SHOULD NOT BE USED WITHOUT WRITTEN PERMISSION						

10 9 8 7 6 5 4 3 2 1

F
E
D
C
B
A



SECTION X-X



REVISED EC NO: J2005-3083 DRAWN: AOYAGI 2005/04/13 CHKD: TANAKA 2005/04/14 APPR: NUKITA 2005/04/22	GENERAL TOLERANCES (UNLESS SPECIFIED)		DIMENSION STYLE MM ONLY		SCALE ---	DESIGN UNITS METRIC	THIRD ANGLE PROJECTION	
	10 UNDER	±0.2	DRAWN BY S. MARUYA	DATE 2004/06/30	TITLE TFR CARD CONN. EMBOSSED TAPE PACKAGE			
	10 OVER 30 UNDER	±0.25	CHECKED BY M. SASAO	DATE 2004/06/30	MOLEX INCORPORATED			
	30 OVER	±0.3	APPROVED BY M. SASAO	DATE 2004/06/30	MATERIAL NO. 500873-0801	DOCUMENT NO. SD-500873-002	SHEET NO. 2 OF 2	
ANGULAR ±3 °		DRAFT WHERE APPLICABLE MUST REMAIN WITHIN DIMENSIONS		SIZE A3		THIS DRAWING CONTAINS INFORMATION THAT IS PROPRIETARY TO MOLEX INCORPORATED AND SHOULD NOT BE USED WITHOUT WRITTEN PERMISSION		