



Chipsmall Limited consists of a professional team with an average of over 10 year of expertise in the distribution of electronic components. Based in Hongkong, we have already established firm and mutual-benefit business relationships with customers from,Europe,America and south Asia,supplying obsolete and hard-to-find components to meet their specific needs.

With the principle of "Quality Parts,Customers Priority,Honest Operation,and Considerate Service",our business mainly focus on the distribution of electronic components. Line cards we deal with include Microchip,ALPS,ROHM,Xilinx,Pulse,ON,Everlight and Freescale. Main products comprise IC,Modules,Potentiometer,IC Socket,Relay,Connector.Our parts cover such applications as commercial,industrial, and automotives areas.

We are looking forward to setting up business relationship with you and hope to provide you with the best service and solution. Let us make a better world for our industry!



Contact us

Tel: +86-755-8981 8866 Fax: +86-755-8427 6832

Email & Skype: info@chipsmall.com Web: www.chipsmall.com

Address: A1208, Overseas Decoration Building, #122 Zhenhua RD., Futian, Shenzhen, China





BOS

Hand-held enclosure series for a range of uses in a classic design

- 8 sizes
- Various designs
- Enclosure with display cut-out or continuous membrane keypad area
- Various battery compartments
- With matching desktop and charging station, depending on model



Colour	Depending on the model: black, similar to RAL 9005, or agate grey, similar to RAL 7038; special colours on request
Protection class	Depending on the model: IP 40 / IP 65/DIN EN 60529
Enclosure material	ABS, seal made of CR; for details see Technical Information

These classic, tried-and-tested hand-held enclosures provide a range of features and accessory elements. The table on the following page contains information on selecting the ideal enclosure.



	Display opening	Battery comp. for	Ingress protect.	Slide switch	Panoramic display scr.	Display screen	UDS application
BOS 400	-	9V block	IP 40	-	-	-	-
BOS 400 ASC	-	9V block	IP 40	-	-	-	-
BOS 401	-	-	IP 40	-	-	-	-
BOS 401 ASC	-	-	IP 40	-	-	-	-
BOS 500	x	9V block	IP 40	-	x	-	x
BOS 501	x	9V block	IP 40	-	-	x	x
BOS 502	-	9V block	IP 40	-	-	-	x
BOS 503	-	9V block	IP 40	-	-	-	x
BOS 600	x	9V block	IP 40	-	-	x	-
BOS 601	-	9V block	IP 40	-	-	-	-
BOS 602	-	3 mignons	IP 40	-	-	-	-
BOS 700	x	9V block	IP 40	-	-	x	x
BOS 701	x	9V block	IP 40	-	-	x	x
BOS 704	x	9V block	IP 40	x	-	x	x
BOS 705	x	9V block	IP 40	x	-	x	x
BOS 750	x	9V block	IP 40	-	x	-	x
BOS 751	x	9V block	IP 40	-	-	x	x
BOS 752	-	9V block	IP 40	-	-	-	x
BOS 753	x	-	IP 40	-	x	-	x
BOS 754	X	-	IP 40	-	-	x	x
BOS 755	-	-	IP 40	-	-	-	x
BOS 756	x	9V block	IP 40	x	x	-	x
BOS 757	x	9V block	IP 40	x	-	x	x
BOS 758	-	9V block	IP 40	x	-	-	x
BOS 759	x	-	IP 40	x	x	-	x
BOS 760	x	-	IP 40	x	-	x	x
BOS 761	-	-	IP 40	x	-	-	x
BOS 800	x	4 mignons	IP 40	-	x	-	x
BOS 801	x	4 mignons	IP 40	-	-	x	x
BOS 802	-	4 mignons	IP 40	-	-	-	x
BOS 803	x	-	IP 40	-	x	-	x
BOS 804	x	-	IP 40	-	-	x	x
BOS 805	-	-	IP 40	-	-	-	x
BOS 807	-	4 mignons	IP 40	-	-	-	x
BOS 808	-	-	IP 40	-	-	-	x
BOS 900	x	-	IP 65	-	-	x	x
BOS 901	x	-	IP 65	-	-	x	-
BOS 902	x	4 mignons	IP 65	-	-	x	-
BOS 903	x	2 x 9V block	IP 65	-	-	x	-
BOS 910	x	-	IP 65	-	-	x	x
BOS 911	x	-	IP 65	-	-	x	-
BOS 912	x	4 mignons	IP 65	-	-	x	-
BOS 913	x	2 x 9V block	IP 65	-	-	x	-



Panoramic display screen



Display screen



Slide for switch

BOS 400 / 400 ASC / 401 / 401 ASC

BOS 400/400 ASC with compartment for 9V block battery

Model	Order no.	A	B	C	Colour
BOS 400	34400000	100	65	24	Black
BOS 400 ASC	34400500	100	65	24	Black

Scope of delivery: Lid, base, battery compartment lid, battery compartment side, screws
For BOS 400 ASC, plus integrated clip bearing and bow

Note: As an option, 2 micro batteries can be inserted in the enclosure by using battery holder BH 2 MC (order no.: 34165572). Wall fitting for ASC types: see general accessories.



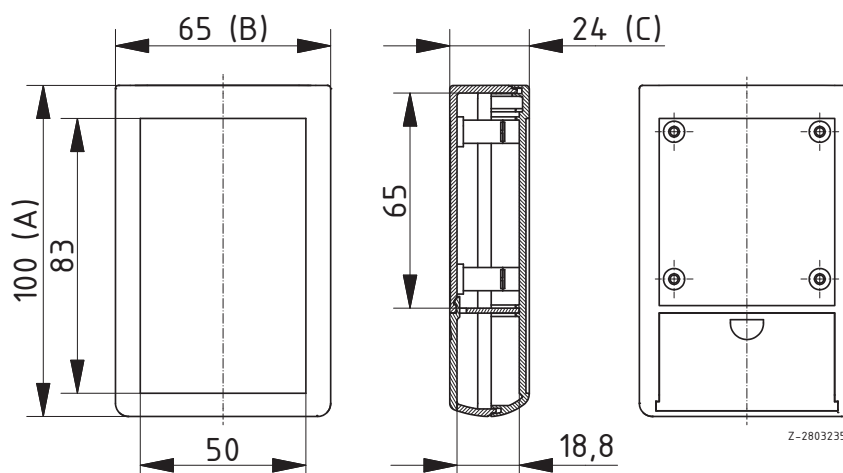
BOS 401/401 ASC

Model	Order no.	A	B	C	Colour
BOS 401	34401000	100	65	24	Black
BOS 401 ASC	34401500	100	65	24	Black

Scope of delivery: Lid, base, screws

For BOS 400 ASC, plus integrated clip bearing and bow

Note: As an option, 2 micro batteries can be inserted in the enclosure by using battery holder BH 2 MC (order no.: 34165572). Wall fitting for ASC types: see general accessories.



Z-2803235

BOS 500 / 501 / 502 / 503



BOS 500 with panoramic display screen and compartment for 9V block battery

Model	Order no.	A	B	C	Colour
BOS 500	34500000	120	60	25	Black
BOS 500	34500003	120	60	25	Agate grey

Scope of delivery: Lid, base, front panel, battery compartment lid, screw, panoramic display screen

Note: See following pages for accessories.



BOS 501 with display screen and compartment for 9V block battery

Model	Order no.	A	B	C	Colour
BOS 501	34501000	120	60	25	Black
BOS 501	34501002	120	60	25	Agate grey

Scope of delivery: Lid, base, front panel, battery compartment lid, screw, display screen

Note: See following pages for accessories.



BOS 502 without display cut-out, with compartment for 9V block battery

Model	Order no.	A	B	C	Colour
BOS 502	34502000	120	60	25	Black
BOS 502	34502002	120	60	25	Agate grey

Scope of delivery: Lid, base, front panel, battery compartment lid, screws

Note: See following pages for accessories.

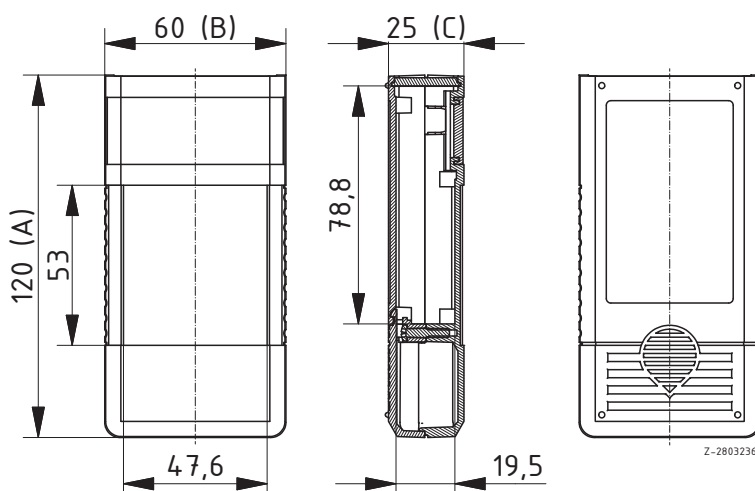
BOS 500 / 501 / 502 / 503

BOS 503 with continuous membrane keypad area and compartment for 9V block battery

Model	Order no.	A	B	C	Colour
BOS 503	34503000	120	60	25	Black
BOS 503	34503001	120	60	25	Agate grey

Scope of delivery: Lid, base, front panel, battery compartment lid, screws

Note: See following pages for accessories.



BOS 600 / 601 / 602



BOS 600 with display screen and compartment for 9V block battery

Model	Order no.	A	B	C	Colour
BOS 600	34600000	172	77	25	Black

Scope of delivery: Lid, base, 2 front panels, screws, battery compartment lid, display screen



BOS 601 with continuous membrane keypad area and compartment for 9V block battery

Model	Order no.	A	B	C	Colour
BOS 601	34601000	172	77	25	Black

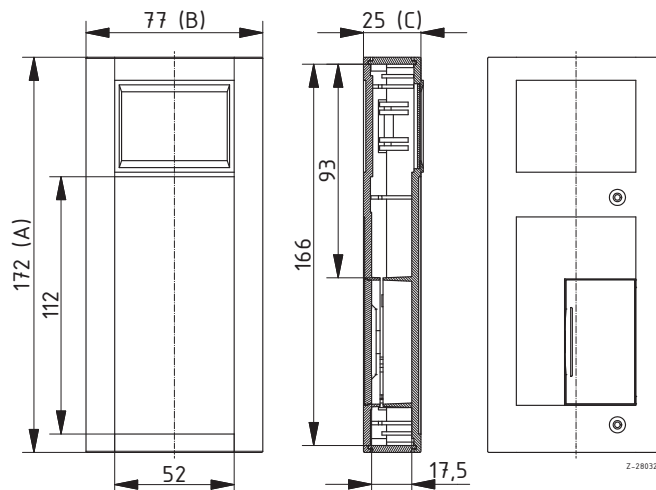
Scope of delivery: Lid, base, 2 front panels, screws, battery compartment lid



BOS 602 with loudspeaker grille and compartment for 3x 1.5 V mignon batteries

Model	Order no.	A	B	C
BOS 602	34602000	172	77	25

Scope of delivery: Lid, base, 2 plastic front panels, screws



BOS 700 / 701 / 704 / 705

BOS 700 / 701 with display opening and compartment for 9V block battery

Model	Order no.	A	B	C	Colour	Note
BOS 700	34700000	150	80	30	Black	Display opening: 23 x 58 mm
BOS 701	34701000	150	80	30	Black	Display opening: 18 x 48 mm

Scope of delivery: Lid, base, front panel, battery compartment lid, screws, threaded inserts

Please order display screen separately.

Note: See following pages for accessories.



BOS 704/705 with display opening, side-fitted slide for switch and compartment for 9V block battery

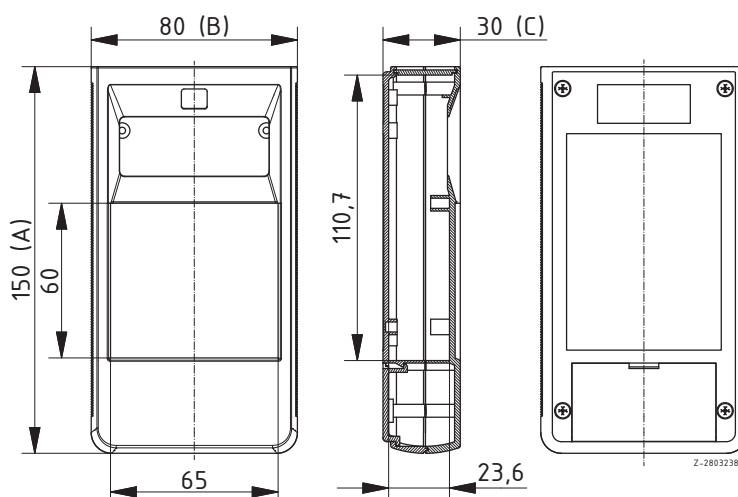
Model	Order no.	A	B	C	Colour	Note
BOS 704	34704000*	150	80	30	Black	Display opening: 23 x 58 mm
BOS 705	34705000	150	80	30	Black	Display opening: 18 x 48 mm

Scope of delivery: Lid, base, front panel, battery compartment lid, screws, threaded inserts

Please order display screen separately.

Note: * = Available on request.

Accessories: See following pages.



BOS 750 – BOS 761



BOS 750 with panoramic display screen and compartment for 9V block battery

Model	Order no.	A	B	C	Colour
BOS 750	34750000	157	84	30	Black
BOS 750	34750001	157	84	30	Agate grey

Scope of delivery: Lid, base, front panel, battery compartment lid, screws, panoramic display screen



BOS 751 with display screen and compartment for 9V block battery

Model	Order no.	A	B	C	Colour
BOS 751	34751000	157	84	30	Black
BOS 751	34751001	157	84	30	Agate grey

Scope of delivery: Lid, base, front panel, battery compartment lid, screws, display screen, slide



BOS 752 with continuous membrane keypad area and compartment for 9V block battery

Model	Order no.	A	B	C	Colour
BOS 752	34752000	157	84	30	Black
BOS 752	34752001	157	84	30	Agate grey

Scope of delivery: Lid, base, front panel, battery compartment lid, screws



BOS 753 with panoramic display screen

Model	Order no.	A	B	C	Colour
BOS 753	34753000	157	84	30	Black

Scope of delivery: Lid, base, front panel, screws, panoramic display screen

BOS 750 – BOS 761

BOS 754 with display screen

Model	Order no.	A	B	C	Colour
BOS 754	34754000	157	84	30	Black
BOS 754	34754001	157	84	30	Agate grey

Scope of delivery: Lid, base, front panel, screws, display screen



BOS 755 with continuous membrane keypad area

Model	Order no.	A	B	C	Colour
BOS 755	34755000	157	84	30	Black
BOS 755	34755001	157	84	30	Agate grey

Scope of delivery: Lid, base, front panel, screws



BOS 756 with panoramic display screen, side-fitted slide for switch and compartment for 9V block battery

Model	Order no.	A	B	C	Colour
BOS 756	34756000	157	84	30	Black

Scope of delivery: Lid, base, front panel, battery compartment lid, screws, panoramic display screen, slide



BOS 757 with display screen, side-fitted slide for switch and compartment for 9V block battery

Model	Order no.	A	B	C	Colour
BOS 757	34757000	157	84	30	Black

Scope of delivery: Lid, base, front panel, battery compartment lid, screws, display screen, slide





BOS 750 – BOS 761



BOS 758 with continuous membrane keypad area and side-fitted slide for switch and compartment for 9V block battery

Model	Order no.	A	B	C	Colour
BOS 758	34758000	157	84	30	Black

Scope of delivery: Lid, base, front panel, battery compartment lid, screws, slide



BOS 759 with panoramic display screen and side-fitted slide for switch

Model	Order no.	A	B	C	Colour
BOS 759	34759000	157	84	30	Black

Scope of delivery: Lid, base, front panel, battery compartment lid, screws, panoramic display screen, slide



BOS 760 with display screen, side-fitted slide for switch

Model	Order no.	A	B	C	Colour
BOS 760	34760000	157	84	30	Black

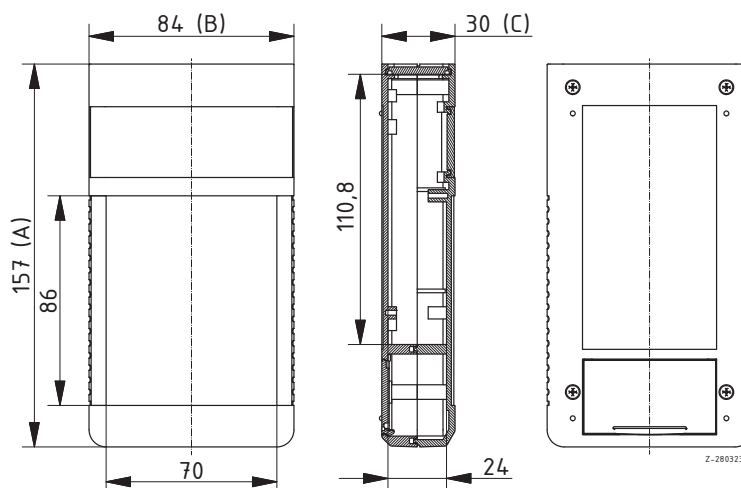
Scope of delivery: Lid, base, front panel, battery compartment lid, screws, display screen, slide

BOS 750 – BOS 761

BOS 761 with continuous membrane keypad area and side-fitted slide for switch

Model	Order no.	A	B	C	Colour
BOS 761	34761000	157	84	30	Black

Scope of delivery: Lid, base, front panel, battery compartment lid, screws, slide



BOS 800 – BOS 808



BOS 800 with panoramic display screen and compartment for 4 x 1.5 mignon batteries

Model	Order no.	A	B	C	Colour
BOS 800	34800000	196	100	40	Black
BOS 800	34800001	196	100	40	Agate grey

Scope of delivery: Lid, base, front panel, screws, battery compartment lid, contacts, panoramic display screen

Note: * = Available on request



BOS 801 with display screen and compartment for 4 x 1.5 mignon batteries

Model	Order no.	A	B	C	Colour
BOS 801	34801000	196	100	40	Black
BOS 801	34801001*	196	100	40	Agate grey

Scope of delivery: Lid, base, front panel, screws, battery compartment lid, contacts, display screen

Note: * = Available on request



BOS 802 without display cut-out, with compartment for 4 x 1.5 V mignon batteries

Model	Order no.	A	B	C	Colour
BOS 802	34802000	196	100	40	Black
BOS 802	34802001*	196	100	40	Agate grey

Scope of delivery: Lid, base, front panel, screws, battery compartment lid, contacts

Note: * = Available on request

BOS 800 – BOS 808

BOS 803 with panoramic display screen

Model	Order no.	A	B	C	Colour
BOS 803	34803000	196	100	40	Black
BOS 803	34803001*	196	100	40	Agate grey

Scope of delivery: Lid, base, front panel, screws, panoramic display screen

Note: * = Available on request



BOS 804 with display screen

Model	Order no.	A	B	C	Colour
BOS 804	34804000	196	100	40	Black
BOS 804	34804001	196	100	40	Agate grey

Scope of delivery: Lid, base, front panel, screws, display screen



BOS 805, without display cut-out

Model	Order no.	A	B	C	Colour
BOS 805	34805000	196	100	40	Black
BOS 805	34805001*	196	100	40	Agate grey

Scope of delivery: Lid, base, front panel, screws

Note: * = Available on request



BOS 800 – BOS 808



BOS 807 with continuous membrane keypad area and compartment for 4 x 1.5 V mignon batteries

Model	Order no.	A	B	C	Colour
BOS 807	34807000	196	100	40	Black
BOS 807	34807001	196	100	40	Agate grey

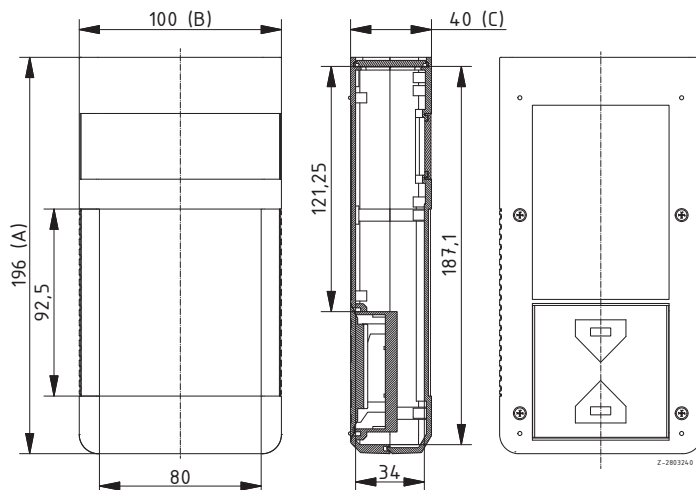
Scope of delivery: Lid, base, front panel, screws, battery compartment lid, contacts



BOS 808 with continuous membrane keypad area

Model	Order no.	A	B	C	Colour
BOS 808	34808000	196	100	40	Black
BOS 808	34808001	196	100	40	Agate grey

Scope of delivery: Lid, base, front panel, screws, battery compartment lid, contacts



BOS 900 – BOS 903

BOS 900

Model	Order no.	A	B	C	Colour
BOS 900	34900009	211	100	26	Black
BOS 900	34900000	211	100	26	Agate grey

Scope of delivery: Lid with seal, base, screws, display screen (enclosed unfitted)

Note: See following pages for accessories

Fitting of display screen on request



BOS 901 with carrying strap and tip-up foot

Model	Order no.	A	B	C	Colour
BOS 901	34901009*	211	100	26	Black
BOS 901	34901000	211	100	26	Agate grey

Scope of delivery: Lid with seal, base, carrying strap, tip-up foot, screws, display screen (enclosed unfitted)

Note * = Available on request

See following pages for accessories

Fitting of display screen on request



BOS 902 with carrying strap and compartment for 4 x 1.5 V mignon batteries

Model	Order no.	A	B	C	Colour
BOS 902	34902009	211	100	26	Black
BOS 902	34902000	211	100	26	Agate grey

Scope of delivery: Lid with seal, base with battery compartment including contacts, carrying strap, screws, display screen (enclosed unfitted)

Note: See following pages for accessories

Fitting of display screen on request



BOS 900 – BOS 903



BOS 903 with carrying strap and compartment for 2 x 9V block batteries

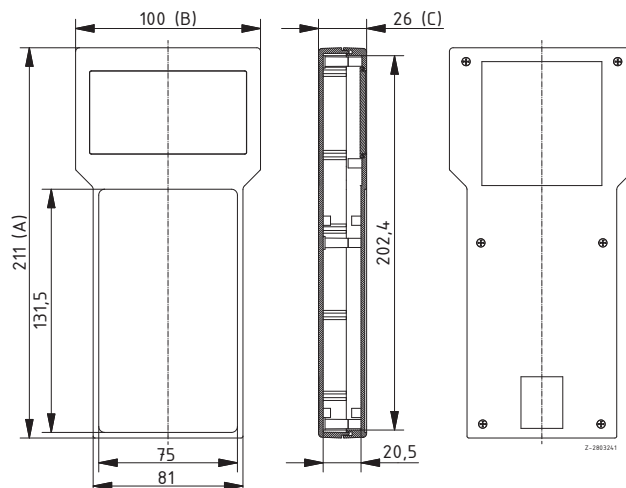
Model	Order no.	A	B	C	Colour
BOS 903	34903009*	211	100	26	Black
BOS 903	34903000	211	100	26	Agate grey

Scope of delivery: Lid with seal, base with battery compartment, carrying strap, screws, display screen (enclosed unfitted)

Note * = Available on request

See following pages for accessories

Fitting of display screen on request



BOS 910 – 913

BOS 910

Model	Order no.	A	B	C	Colour
BOS 910	34910009	224	106	40	Black
BOS 910	34910002	224	106	40	Agate grey

Scope of delivery: Lid with seal, base, screws, display screen (enclosed unfitted)

Note: See following pages for accessories

Fitting of display screen on request



BOS 911 with tip-up foot

Model	Order no.	A	B	C	Colour
BOS 911	34911009	224	106	40	Black
BOS 911	34911000	224	106	40	Agate grey

Scope of delivery: Lid with seal, base, self-tapping screws, tip-up foot, display screen

Note: See following pages for accessories

Fitting of display screen on request



BOS 912 with compartment for 4 x 1.5 V mignon batteries

Model	Order no.	A	B	C	Colour
BOS 912	34912009	224	106	40	Black
BOS 912	34912000	224	106	40	Agate grey

Scope of delivery: Lid with seal, base with battery compartment including contacts, screws, display screen (enclosed unfitted)

Note: See following pages for accessories

Fitting of display screen on request





BOS 910 – 913



BOS 913 with compartment for 2 x 9V block batteries

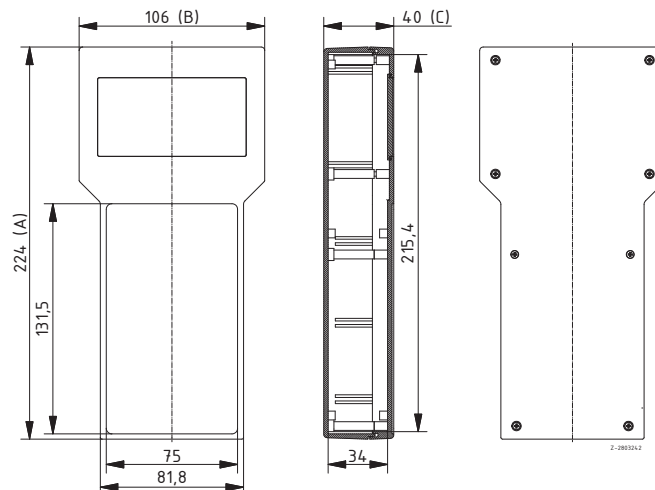
Model	Order no.	A	B	C	Colour
BOS 913	34913000	224	106	40	Black
BOS 913	34913009*	224	106	40	Agate grey

Scope of delivery: Lid with seal, base with battery compartment, screws, display screen (enclosed unfitted)

Note * = Available on request

See following pages for accessories

Fitting of display screen on request



BOS 500 – 913 accessories

Front panels BOS 500-503

Model	Order no.	Note
Front panels IR	34955006	For BOS 500/501/502/503
Front panels Alu	34055000	For BOS 500/501/502/503

Scope of delivery: 1 front panel

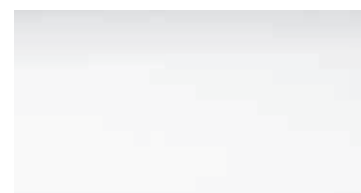
Note: IR = Infrared-permissive



Display screens BOS 700-705

Model	Order no.	Note
Display screen	26000800	For BOS 700/701/704/705

Scope of delivery: 1 display screen



Intermediate frame BOS 900-903

Model	Order no.	Colour	Note
ZR 900	34900909	Black	For BOS 900/901/902/903
ZR 900	34900900	Agate grey	For BOS 900/901/902/903

Scope of delivery: Intermediate frame, mounted seal, 6 screws



Table stand BOS 900-903 / BOS 910-913

Model	Order no.	Colour	Note
STD 900	34900029*	Black	For BOS 900/901/902/903/910/911/912/913
STD 900	34900002	Agate grey	For BOS 900/901/902/903/910/911/912/913

Scope of delivery: Lid, base, screws

Note: * = Available on request



Display adapter BOS 910-913

Model	Order no.
ADS 910-I	34913001
ADS 910-II	34913002
ADS 910-III	34913003

Scope of delivery: 2 plastic parts, 4 screws

Note:

Model	Type	Display fitting dimensions
ADS 910-I	Adapter for graphic-type displays, 128 x 64 dots	77 x 60
ADS 910-II	Adapter for graphic-type displays, 128 x 64 dots	68 x 64.92
ADS 910-III	Adapter for graphic-type displays, 16 characters, 4 lines	82 x 55

