



Chipsmall Limited consists of a professional team with an average of over 10 year of expertise in the distribution of electronic components. Based in Hongkong, we have already established firm and mutual-benefit business relationships with customers from,Europe,America and south Asia,supplying obsolete and hard-to-find components to meet their specific needs.

With the principle of “Quality Parts,Customers Priority,Honest Operation,and Considerate Service”,our business mainly focus on the distribution of electronic components. Line cards we deal with include Microchip,ALPS,ROHM,Xilinx,Pulse,ON,Everlight and Freescale. Main products comprise IC,Modules,Potentiometer,IC Socket,Relay,Connector.Our parts cover such applications as commercial,industrial, and automotives areas.

We are looking forward to setting up business relationship with you and hope to provide you with the best service and solution. Let us make a better world for our industry!



## Contact us

Tel: +86-755-8981 8866 Fax: +86-755-8427 6832

Email & Skype: info@chipsmall.com Web: www.chipsmall.com

Address: A1208, Overseas Decoration Building, #122 Zhenhua RD., Futian, Shenzhen, China



# NovaHood™ Connector Covers

## The Ultimate in Versatility

The NovaHood can be used for any style connector.... crimp-snap, solder and insulation displacement. A connector can be fitted in one or both ends. Cables may be routed from either side or end. Hoods are available for DB-9, DB-15 and DB-25 connectors.



NovaHoods-clockwise from top left: black DB-25, Metalized DB-25, black DB-9, black DB-15

## Simplified Assembly and Inventory

The NovaHood is designed for maximum productivity in cable and interface adapter production while maintaining consistent high quality and low cost. The snap-lock case minimizes assembly time. No screws are required to hold the case together. And the two interlocking shells for each size are identical, simplifying inventory.



## The Economy of PLASTIC with the Quality and Security of METAL

The standard NovaHood is rugged ABS plastic. If you need to meet FCC computer emissions restrictions, Tempest requirements or other applications requiring shielding, the 25-pin NovaHood can be purchased with an optional conductive metal plating to help achieve that goal.

## Gender-Menders and More

In addition to use as a connector backshell, NovaHood can also be used to build gender changers, converters or anything else that requires two D-subminiature connectors. It can be used to build loop-back test plugs or jumper plugs in modem eliminators. Because of its sturdy, integrated design, the cable or system integrity is not compromised by these applications.

## NovaHoods “Your Way”

NovaHoods may be purchased in bulk or in kits. Bulk prices are for two hood halves and a strain relief. Kits contain two hood halves, a strain relief, tie wrap and two 4-40 screws and saddle washers in a plastic bag. Standard color is black. Custom colors or metalizing on other sizes are available on quantity orders. Inquire about NovaHoods to suit your special needs, and for specific quantity order prices. Min. order: 20 pcs.

| Part Number  | Configuration | Description              | Color     | PRICES* |  |  | In stock at |            |
|--------------|---------------|--------------------------|-----------|---------|--|--|-------------|------------|
|              |               |                          |           |         |  |  | B&B USA     | B&B Europe |
| BP0925AK3011 | DB-25/DB-9    | Adapter - Kit            | Gray      |         |  |  | Yes         | Yes        |
| BP25AB0020   | DB-25         | Hood - Bulk              | Black     |         |  |  | Yes         | Yes        |
| BP25AK0020   | DB-25         | Hood - Kit               | Black     |         |  |  | Yes         | Yes        |
| BP25DK0010   | DB-25         | Double-length Hood - Kit | Black     |         |  |  | Yes         | Yes        |
| BP25AB0030   | DB-25         | Hood - Bulk              | Metalized |         |  |  | Yes         | Yes        |
| SR25AB0030   | DB-25         | Strain Relief            | Metalized |         |  |  | Yes         | Yes        |
| BP15AB0010   | DB-15         | Hood - Bulk              | Black     |         |  |  | Yes         | Yes        |
| BP15AK0010   | DB-15         | Hood - Kit               | Black     |         |  |  | Yes         | Yes        |
| BP09AB0010   | DB-9          | Hood - Bulk              | Black     |         |  |  | Yes         | Yes        |
| BP09AB0030   | DB-9          | Hood - Bulk              | Metalized |         |  |  | Yes         | Yes        |
| BP09AK0010   | DB-9          | Hood - Kit               | Black     |         |  |  | Yes         | Yes        |

See page 2 for product drawings.

\*Intermediate and extended quantity price breaks available. Inquire.

© B&B Electronics – Revised January 2002

This product designed and manufactured in USA of domestic and imported parts by

**B & B Electronics Mfg. Co.**

707 Dayton Road - P.O. Box 1040 - Ottawa, IL 61350 USA

Phone: (815) 433-5100 - Fax: (815) 433-5105

Home Page: [www.bb-elec.com](http://www.bb-elec.com)

Sales e-mail: [orders@bb-elec.com](mailto:orders@bb-elec.com) - Fax: (815) 433-5109

Technical Support e-mail: [support@bb-elec.com](mailto:support@bb-elec.com) - Fax: (815) 433-5104

**B & B Electronics Ltd**

Westlink Commercial Park - Oranmore, Co. Galway - Ireland

Phone: +353 91 792444 - Fax: +353 91 792445

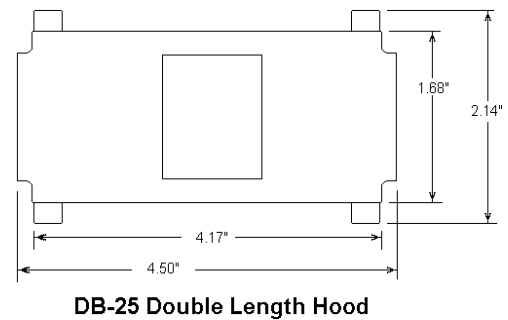
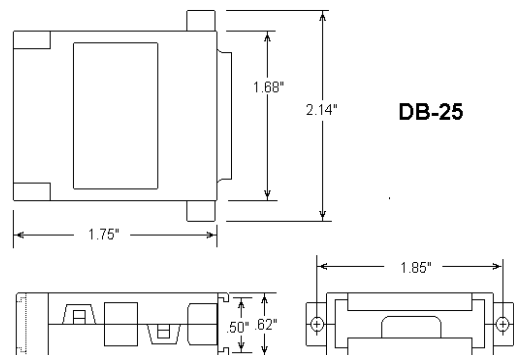
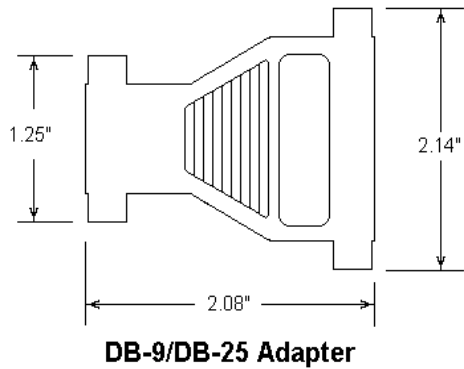
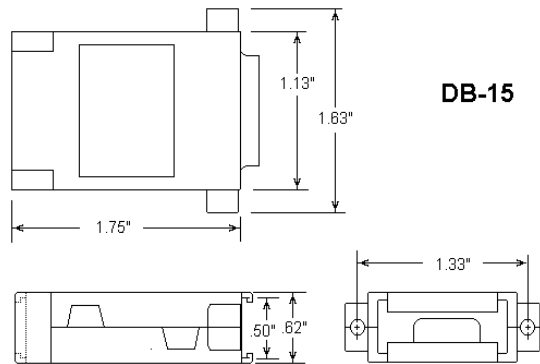
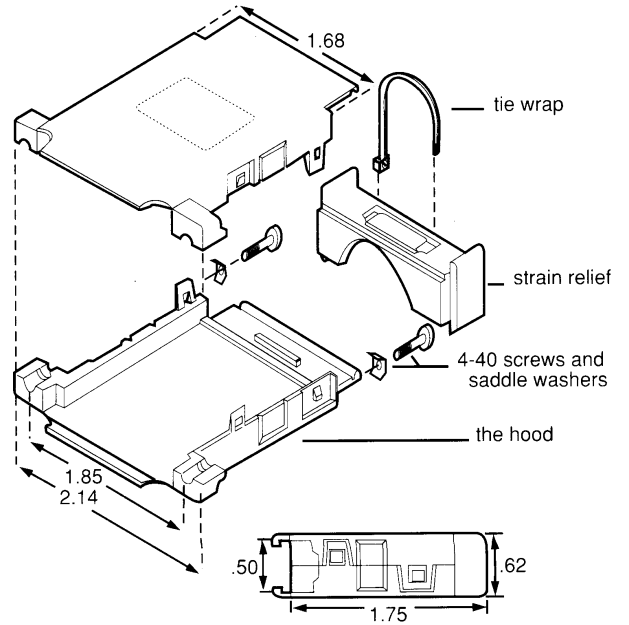
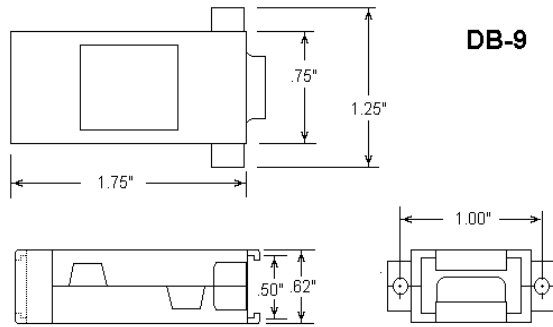
Home Page: [www.bb-europe.com](http://www.bb-europe.com)

Sales e-mail: [orders@bb-europe.com](mailto:orders@bb-europe.com)

Technical Support e-mail: [support@bb-europe.com](mailto:support@bb-europe.com)

# NovaHood™ Connector Covers

From B&B Electronics Manufacturing Co.



© B&B Electronics – Revised January 2002

*This product designed and manufactured in USA of domestic and imported parts by*

**B & B Electronics Mfg. Co.**

707 Dayton Road - P.O. Box 1040 - Ottawa, IL 61350 USA

Phone: (815) 433-5100 - Fax: (815) 433-5105

Home Page: [www.bb-elec.com](http://www.bb-elec.com)

Sales e-mail: [orders@bb-elec.com](mailto:orders@bb-elec.com) - Fax: (815) 433-5109

Technical Support e-mail: [support@bb-elec.com](mailto:support@bb-elec.com) - Fax: (815) 433-5104

**B & B Electronics Ltd**

Westlink Commercial Park - Oranmore, Co. Galway - Ireland

Phone: +353 91 792444 - Fax: +353 91 792445

Home Page: [www.bb-europe.com](http://www.bb-europe.com)

Sales e-mail: [orders@bb-europe.com](mailto:orders@bb-europe.com)

Technical Support e-mail: [support@bb-europe.com](mailto:support@bb-europe.com)