



Chipsmall Limited consists of a professional team with an average of over 10 year of expertise in the distribution of electronic components. Based in Hongkong, we have already established firm and mutual-benefit business relationships with customers from,Europe,America and south Asia,supplying obsolete and hard-to-find components to meet their specific needs.

With the principle of “Quality Parts,Customers Priority,Honest Operation,and Considerate Service”,our business mainly focus on the distribution of electronic components. Line cards we deal with include Microchip,ALPS,ROHM,Xilinx,Pulse,ON,Everlight and Freescale. Main products comprise IC,Modules,Potentiometer,IC Socket,Relay,Connector.Our parts cover such applications as commercial,industrial, and automotives areas.

We are looking forward to setting up business relationship with you and hope to provide you with the best service and solution. Let us make a better world for our industry!



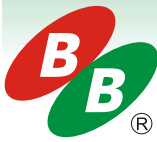
Contact us

Tel: +86-755-8981 8866 Fax: +86-755-8427 6832

Email & Skype: info@chipsmall.com Web: www.chipsmall.com

Address: A1208, Overseas Decoration Building, #122 Zhenhua RD., Futian, Shenzhen, China





VRLA Rechargeable Battery

BP3-6 (BP3-6FR)



FEATURES

- Maintenance free(no water topping-up required).
- No free acid(Non-spillable battery).
- Low self-discharge rate, lower than 3% capacity loss per month.
- Can be used in any orientation(excluding used inverted).
- Absorbent Glass Mat technology for efficient gas recombination.

APPLICATION

- UPS
- Security



SPECIFICATIONS

Nominal Voltage	6 V
Nominal Capacity	3.0Ah @ 20 hour rate F.V.(1.75V/cell)
Approx. Weight	650g(1.43lbs.)
Terminals	T1 (Faston Tab 187)
Internal Resistance	≤25m Ω (Fully Charged)
Max. Discharge Current	45 A (5 sec.)
Max. Charge Current	0.9 A
Operating Temperature Range	Charge : 0°C~40°C(32°F~104°F) Discharge : -20°C~50°C(-4°F~122°F) Storage. : -20°C~40°C(-4°F~104°F)
Container Material	ABS(UL94-HB, UL94-V0 is optional)

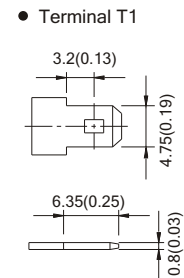
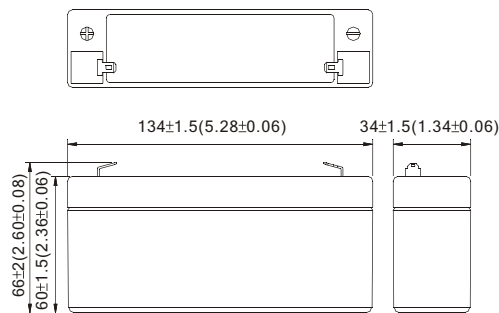
ISO 9001	
ISO14001	
UL	 MH19884
CE	 C4M20310-2474-E-16
<ul style="list-style-type: none"> ● IEC 61056-1 ● JIS C 8702-1 ● GB/T 19639.1 	

DIMENSION(mm/inch)

OUTER DIMENSIONS

TERMINAL TYPE

- **Length**
134±1.5 (5.28±0.06)
- **Width**
34±1.5 (1.34±0.06)
- **Container Height**
60±1.5 (2.36±0.06)
- **Total Height**
66±2.0 (2.60±0.08)



Constant power discharge characteristics at 25 °C/77 °F

Unit: W

Discharge Time F.V. (V/cell)	5 Min	10 Min	15 Min	30 Min	1 Hr	3 Hr	5 Hr	10 Hr	20 Hr
1.80V	54.23	39.92	31.99	19.04	10.917	4.372	3.015	1.685	0.887
1.75V	62.77	43.25	33.46	19.76	11.245	4.460	3.060	1.710	0.900
1.70V	66.69	44.81	34.50	20.21	11.447	4.500	3.077	1.719	0.906
1.65V	69.69	45.88	35.29	20.50	11.584	4.531	3.087	1.724	0.906
1.60V	72.00	46.80	36.00	20.70	11.700	4.559	3.097	1.724	0.906

Constant current discharge characteristics at 25 °C/77 °F

Unit: A

Discharge Time F.V. (V/cell)	5 Min	10 Min	15 Min	30 Min	1 Hr	3 Hr	5 Hr	10 Hr	20 Hr
1.80V	9.77	7.03	5.56	3.23	1.835	0.729	0.502	0.281	0.148
1.75V	11.52	7.61	5.82	3.35	1.890	0.743	0.510	0.285	0.150
1.70V	12.24	7.89	6.00	3.43	1.924	0.750	0.513	0.286	0.151
1.65V	12.79	8.08	6.14	3.47	1.947	0.755	0.515	0.287	0.151
1.60V	13.21	8.24	6.26	3.51	1.966	0.760	0.516	0.287	0.151

All data shall be changed without prior notice, BB reserves the right to explain and update the information contained hereinto.