



Chipsmall Limited consists of a professional team with an average of over 10 year of expertise in the distribution of electronic components. Based in Hongkong, we have already established firm and mutual-benefit business relationships with customers from,Europe,America and south Asia,supplying obsolete and hard-to-find components to meet their specific needs.

With the principle of "Quality Parts,Customers Priority,Honest Operation,and Considerate Service",our business mainly focus on the distribution of electronic components. Line cards we deal with include Microchip,ALPS,ROHM,Xilinx,Pulse,ON,Everlight and Freescale. Main products comprise IC,Modules,Potentiometer,IC Socket,Relay,Connector.Our parts cover such applications as commercial,industrial, and automotives areas.

We are looking forward to setting up business relationship with you and hope to provide you with the best service and solution. Let us make a better world for our industry!



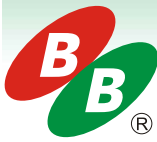
Contact us

Tel: +86-755-8981 8866 Fax: +86-755-8427 6832

Email & Skype: info@chipsmall.com Web: www.chipsmall.com

Address: A1208, Overseas Decoration Building, #122 Zhenhua RD., Futian, Shenzhen, China





VRLA Rechargeable Battery

BP7-12RT



FEATURES

- Absorbent Glass Mat technology for efficient gas recombination
- Maintenance free(no water topping-up required).
- No free acid(Non-spillable battery).
- Low self-discharge rate, lower than 3% capacity loss per month.
- Can be used in any orientation(excluding used inverted).

APPLICATION

- UPS
- Electronic Doorbells
- Toy-Cars
- Fans



SPECIFICATIONS

| | |
|-----------------------------|----------------------------------------------------------------------------------------------------------|
| Nominal Voltage | 12 V |
| Nominal Capacity | 7.0Ah @ 20 hour rate F.V.(1.75V/cell) |
| Approx. Weight | 2400g(5.29lbs.) |
| Terminals | +250 Faston/-187 Faston |
| Internal Resistance | ≤22mΩ (Fully Charged) |
| Max. Discharge Current | 105 A (5 sec.) |
| Maximum Charge Current | 2.1 A |
| Operating Temperature Range | Charge : 0°C~40°C(32°F~104°F) Discharge : -20°C~50°C(-4°F~122°F) Storage. : -20°C~40°C(-4°F~104°F) |
| Container Material | Standard: ABS(UL 94-HB) BP7-12RT Optional: Flame Retardant ABS(UL 94-V0) BP7-12RTFR |



- IEC61056-1
- JIS C 8702-1
- GB/T 19639.1

DIMENSION(mm/inch)

OUTER DIMENSIONS

TERMINAL TYPE

Length

140±1.5 (5.51±0.06)

Width

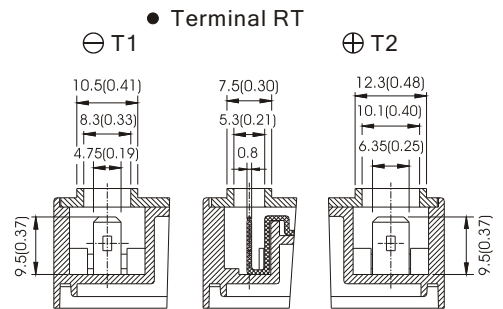
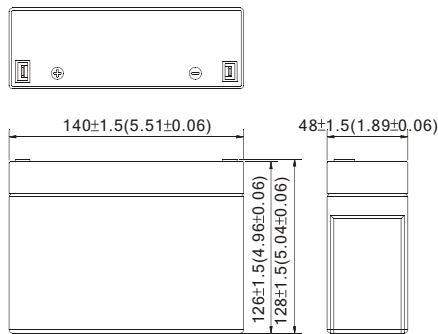
48±1.5 (1.89±0.06)

Container Height

126±1.5 (4.96±0.06)

Total Height

128±1.5 (5.04±0.06)



Constant power discharge characteristics at 25 °C/77 °F

Unit: W

| Discharge Time F.V. (V/cell) | 5 Min | 10 Min | 15 Min | 30 Min | 1 Hr | 3 Hr | 5 Hr | 10 Hr | 20 Hr |
|------------------------------------|-------|--------|--------|--------|------|------|-------|-------|-------|
| 1.80V | 253 | 186 | 149 | 88.8 | 50.9 | 20.4 | 14.07 | 7.86 | 4.14 |
| 1.75V | 293 | 202 | 156 | 92.2 | 52.5 | 20.8 | 14.28 | 7.98 | 4.20 |
| 1.70V | 311 | 209 | 161 | 94.3 | 53.4 | 21.0 | 14.36 | 8.02 | 4.22 |
| 1.65V | 325 | 214 | 165 | 95.6 | 54.1 | 21.1 | 14.41 | 8.04 | 4.24 |
| 1.60V | 336 | 218 | 168 | 96.6 | 54.6 | 21.3 | 14.45 | 8.04 | 4.24 |

Constant current discharge characteristics at 25 °C/77 °F

Unit: A

| Discharge Time F.V. (V/cell) | 5 Min | 10 Min | 15 Min | 30 Min | 1 Hr | 3 Hr | 5 Hr | 10 Hr | 20 Hr |
|------------------------------------|-------|--------|--------|--------|------|------|-------|-------|-------|
| 1.80V | 22.8 | 16.4 | 13.0 | 7.53 | 4.28 | 1.70 | 1.172 | 0.655 | 0.345 |
| 1.75V | 26.9 | 17.8 | 13.6 | 7.81 | 4.41 | 1.73 | 1.190 | 0.665 | 0.350 |
| 1.70V | 28.6 | 18.4 | 14.0 | 7.99 | 4.49 | 1.75 | 1.196 | 0.668 | 0.352 |
| 1.65V | 29.8 | 18.8 | 14.3 | 8.11 | 4.54 | 1.76 | 1.201 | 0.670 | 0.353 |
| 1.60V | 30.8 | 19.2 | 14.6 | 8.19 | 4.59 | 1.77 | 1.204 | 0.670 | 0.353 |

All data and artworks shall be changed without prior notice, BB reserves the right to explain and update the information contained herein.