



Chipsmall Limited consists of a professional team with an average of over 10 year of expertise in the distribution of electronic components. Based in Hongkong, we have already established firm and mutual-benefit business relationships with customers from,Europe,America and south Asia,supplying obsolete and hard-to-find components to meet their specific needs.

With the principle of “Quality Parts,Customers Priority,Honest Operation,and Considerate Service”,our business mainly focus on the distribution of electronic components. Line cards we deal with include Microchip,ALPS,ROHM,Xilinx,Pulse,ON,Everlight and Freescale. Main products comprise IC,Modules,Potentiometer,IC Socket,Relay,Connector.Our parts cover such applications as commercial,industrial, and automotives areas.

We are looking forward to setting up business relationship with you and hope to provide you with the best service and solution. Let us make a better world for our industry!



## Contact us

Tel: +86-755-8981 8866 Fax: +86-755-8427 6832

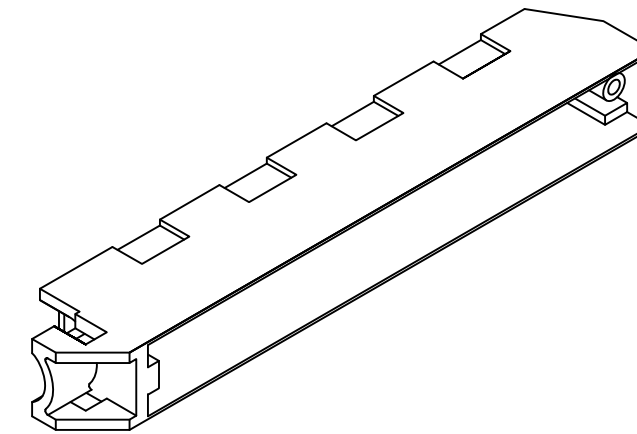
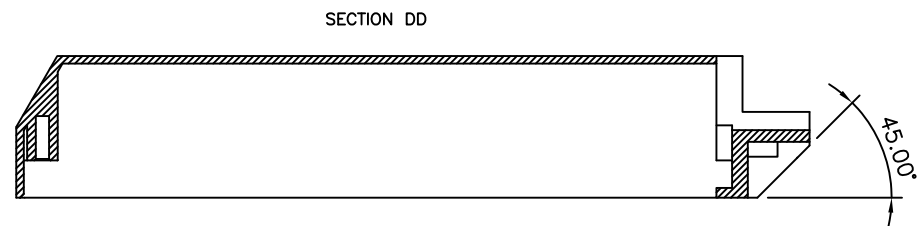
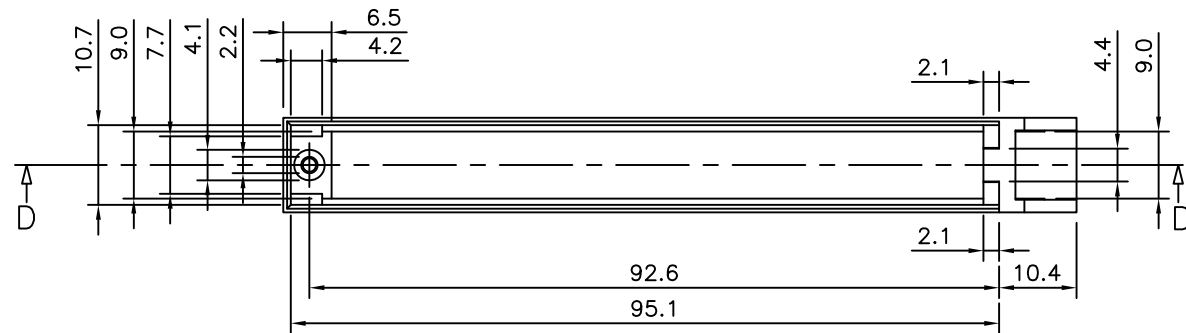
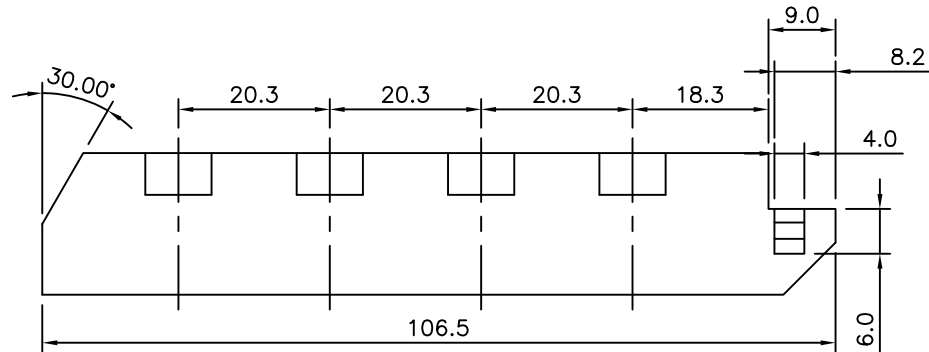
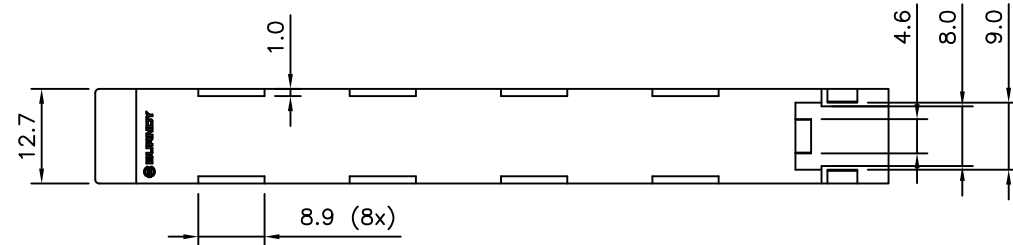
Email & Skype: info@chipsmall.com Web: www.chipsmall.com

Address: A1208, Overseas Decoration Building, #122 Zhenhua RD., Futian, Shenzhen, China

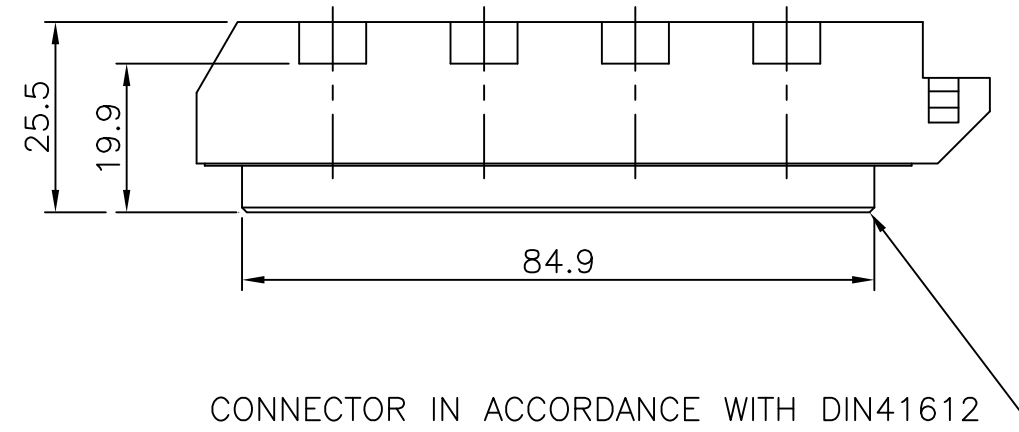


PRODUCT NUMBER BPBS8B96CAP2

PRODUCT NUMBER BPBS8B96CAP2LF — RøHS COMPATIBLE



ASSEMBLED VIEW



CONNECTOR IN ACCORDANCE WITH DIN41612

NOTES:

- BPBS8B96CAP2 = LOW PROFILE COVER (BPBS8B96P5) + MOUNTING SCREW (HPTE1604)
- BPBS8B96CAP2LF = LOW PROFILE COVER (BPBS8B96P5) + MOUNTING SCREW (HPTE1604LF)
- LOW PROFILE COVER : GLASS-FILLED PPO MATERIAL
- CABLE DIAMETER 8 MM. MAX.
- " LF " SUFFIX TO PRODUCT NUMBER FOR RøHS COMPLIANT/LEADFREE PRODUCTS.
- OPTIONAL : TIE WRAP (TF4); MAX. WIDTH = 3,9 MM

**NOTES:-**

1. THE "LF" PRODUCTS MEET EUROPEAN UNION DIRECTIVES AND OTHER COUNTRY REGULATIONS AS DESCRIBED IN GS-22-008.
2. LEAD FREE OR RøHS DIRECTIVE LABELING TO BE PROVIDED AS PER GS-14-920 FOR RøHS COMPLIANT/ LEAD FREE VERSION.

mat'l. code				surface		tolerance		projection		product family	
SEE NOTE				ISO 1302 ✓		ISO 406 ISO 1101		mm		BPS8	
tolerances unless otherwise specified				0.1±0.01		0.01±0.05		mm		title	
angles				linear		±0'30'		scale 1.5:1		ASSY BPS8 96 POS. COVER SET	
D				ELX-I-26604		MJA		2017-04-10		dr	
D				D.LEGRAND		2000-10-20		engr		J.F.NOTTEAU	
D				J.F.NOTTEAU		2000-10-20		chr		RAKHEE GEORGE	
D				RAKHEE GEORGE		2006-06-01		appd		RAKHEE GEORGE	
D				RAKHEE GEORGE		2006-06-01		type		Product Customer Drawing	
sheet index		revision sheet		D		1				dwg no	
										sheet 1 of 1	
										size	
										A3	
										55348	
										type	
										Product Customer Drawing	

Amphenol FCI

Copyright AFCl