



Chipsmall Limited consists of a professional team with an average of over 10 year of expertise in the distribution of electronic components. Based in Hongkong, we have already established firm and mutual-benefit business relationships with customers from,Europe,America and south Asia,supplying obsolete and hard-to-find components to meet their specific needs.

With the principle of “Quality Parts,Customers Priority,Honest Operation,and Considerate Service”,our business mainly focus on the distribution of electronic components. Line cards we deal with include Microchip,ALPS,ROHM,Xilinx,Pulse,ON,Everlight and Freescale. Main products comprise IC,Modules,Potentiometer,IC Socket,Relay,Connector.Our parts cover such applications as commercial,industrial, and automotives areas.

We are looking forward to setting up business relationship with you and hope to provide you with the best service and solution. Let us make a better world for our industry!



Contact us

Tel: +86-755-8981 8866 Fax: +86-755-8427 6832

Email & Skype: info@chipsmall.com Web: www.chipsmall.com

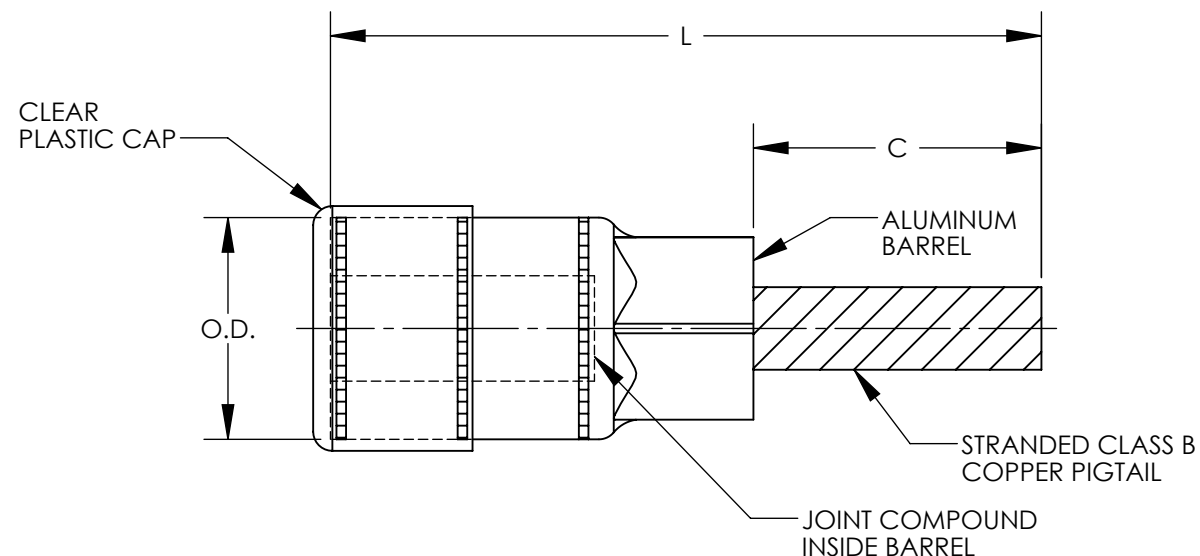
Address: A1208, Overseas Decoration Building, #122 Zhenhua RD., Futian, Shenzhen, China



PANDUIT PART NUMBER	ALUMINUM WIRE SIZE	COPPER PIGTAIL SIZE	WIRE STRIP LENGTH	DIMENSIONS - +/- .02		
				C	L	O.D.
BPC6-L	6 AWG	8 AWG	----	0.88	2.45	0.64
BPC4-L	4 AWG	6 AWG	1.00	0.88	2.45	0.64
BPC2-L	2 AWG	4 AWG	1.00	0.88	2.45	0.64
BPC1-X	1 AWG	3 AWG	1.00	1.00	2.58	0.64
BPC1/0-X	1/0 AWG	2 AWG	1.25	1.25	3.33	0.91
BPC2/0-X	2/0 AWG	1 AWG	1.25	1.25	3.33	0.91
BPC3/0-X	3/0 AWG	1/0 AWG	1.25	1.38	3.45	0.91
BPC4/0-X	4/0 AWG	2/0 AWG	1.25	1.38	3.45	0.91
BPC250-X	250 kcmil	3/0 AWG	1.38	1.50	3.70	1.16
BPC300-X	300 kcmil	4/0 AWG	1.38	1.63	4.11	1.16
BPC350-X	350 kcmil	4/0 AWG	1.38	1.63	4.11	1.16
BPC400-X	400 kcmil	250 kcmil	1.38	1.88	4.34	1.32
BPC500-X	500 kcmil	350 kcmil	1.38	1.88	4.34	1.32
BPC600-6	600 kcmil	350 kcmil	1.88	1.88	4.78	1.50
BPC750-6	750 kcmil	500 kcmil	1.88	2.00	4.91	1.50

NOTES:

1. BARREL MATERIAL: ALUMINUM A-A OR ALLUMINUM ALLOY 1100.
2. WIRE MATERIAL: HIGH CONDUCTIVITY GRADE, STRANDED CLASS B COPPER.
3. USER TO ASSEMBLE CONNECTORS TO ALUMINUM STRANDED WIRE ONLY.
4. OXIDE INHIBITING JOINT COMPOUND PREFILLED IN EACH BARREL.
5. CONNECTOR UL LISTED, RATED FOR 90° C AND 600V OPERATION. INSULATING SLEEVES ARE TO BE RATED FOR 90° C - 600V OPERATION.
6. INSULATING SLEEVE INCLUDED (EPDM).
7. PACKAGING QUANTITY: - L = 50
- X = 10



REV	DATE	BY	CHK	APR	DESCRIPTION	ECN
04	3/15	JHNU	JHNU	RGB	ADDED CLASS B TO WIRE DESCRIPTION	N41292BB-C41292
03	3/13	JHNU	JHNU	RGB	REVISED TITLE BLOCK	N41292BB-C41292

TITLE BPC SERIES BI-METALLIC PIN CONNECTORS CUSTOMER DRAWING			
ITEM REVISION NAME	N41292BB-C41292/04		
DATASET FILE NAME	C41292/04.SLDDRW		
UNLESS OTHERWISE SPECIFIED, DIMENSIONAL TOLERANCES ARE: IN [mm]			
.X ±	.XXX ±		
.XX ±	ANGLES ±		
DRAWN BY EJS		DATE	CHK
SCALE NONE		THIRD ANGLE PROJECTION	
SHEET 1 OF 1			SIZE B



MATERIAL
SEE NOTES

DRAWING NUMBER
C41292_03