



Chipsmall Limited consists of a professional team with an average of over 10 year of expertise in the distribution of electronic components. Based in Hongkong, we have already established firm and mutual-benefit business relationships with customers from,Europe,America and south Asia,supplying obsolete and hard-to-find components to meet their specific needs.

With the principle of “Quality Parts,Customers Priority,Honest Operation,and Considerate Service”,our business mainly focus on the distribution of electronic components. Line cards we deal with include Microchip,ALPS,ROHM,Xilinx,Pulse,ON,Everlight and Freescale. Main products comprise IC,Modules,Potentiometer,IC Socket,Relay,Connector.Our parts cover such applications as commercial,industrial, and automotives areas.

We are looking forward to setting up business relationship with you and hope to provide you with the best service and solution. Let us make a better world for our industry!



Contact us

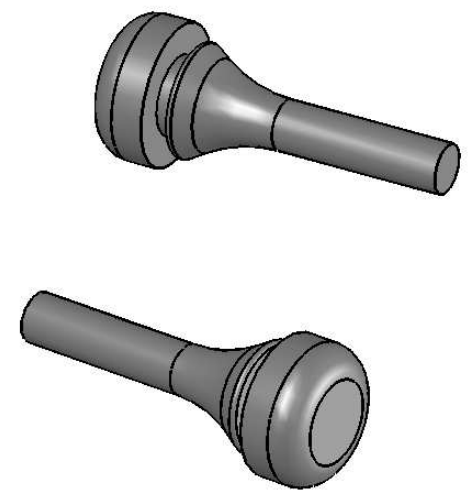
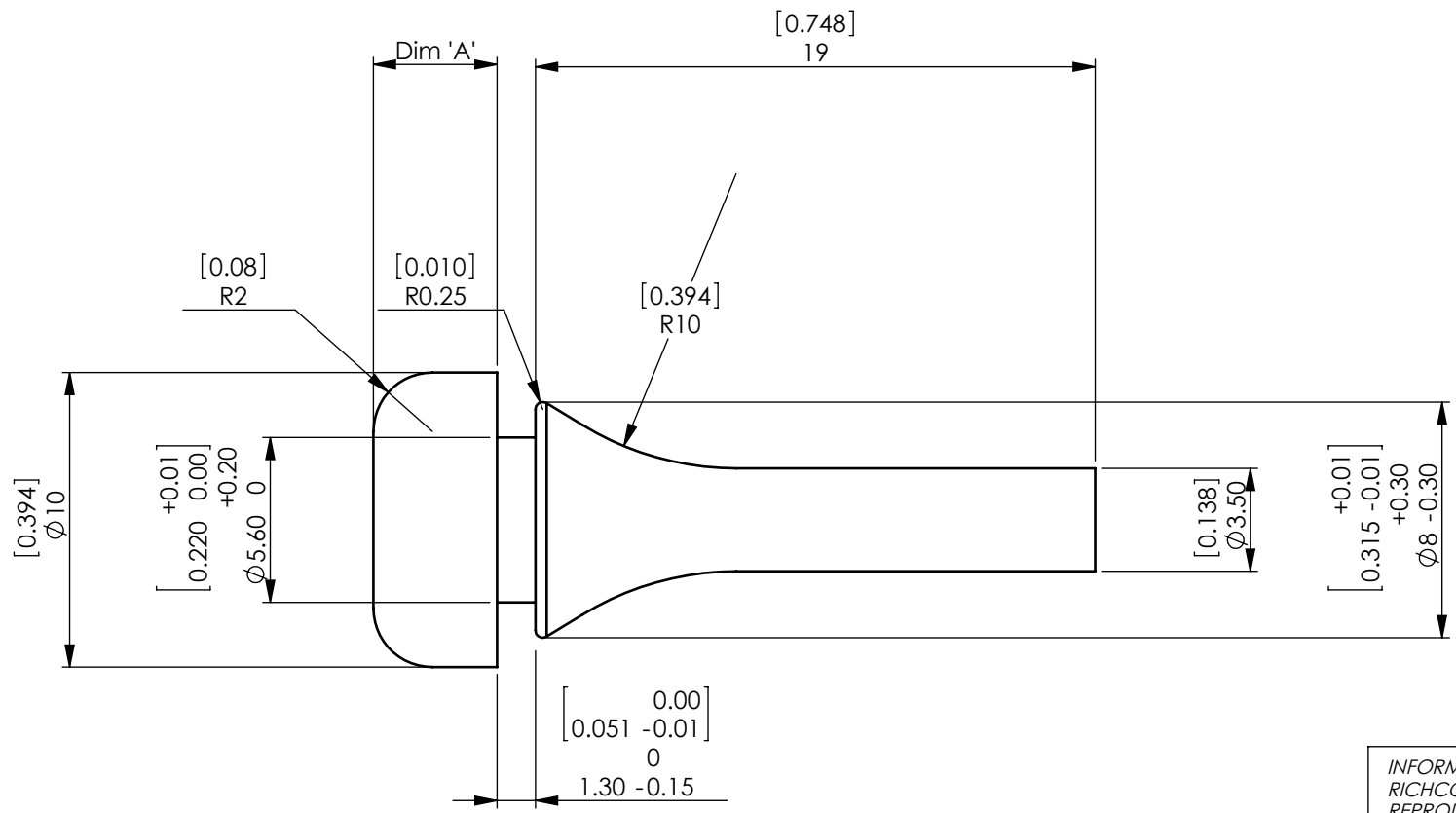
Tel: +86-755-8981 8866 Fax: +86-755-8427 6832

Email & Skype: info@chipsmall.com Web: www.chipsmall.com

Address: A1208, Overseas Decoration Building, #122 Zhenhua RD., Futian, Shenzhen, China



REV.	MODIFICATION.	DATE	DRN
01	PRODUCTION RELEASE	13/03/06	TC
02	ECR 2006-079	08/05/06	TC
03	CO2010269	01/07/08	SF



NOTES!

- Material To Comply with RoHS legislation
- Fits hole diameter 6.0mm MIN, 6.35mm MAX
panel thickness 1.5mm

PART No	"A" DIMENSION	COLOUR	RMS No
BPM-1	[.118+/-0.001] 3.0 +/- 0.25	GREY	RMS-321
BPM-2	[.165 +/- 0.01] 4.2 +/- 0.25	BLACK	RMS-321
BPM-3BK	[.196 +/- 0.01] 5.0 +/- 0.25	BLACK	RMS-321

INFORMATION CONTAINED IN THIS DOCUMENT IS CONFIDENTIAL TO RICHCO INTERNATIONAL Co. Ltd. AND MAY NOT BE DISCLOSED OR REPRODUCED IN WHOLE OR PART WITHOUT THEIR WRITTEN CONSENT.

	ALL DIMENSIONS IN mm & [INCHES] GENERAL TOLERANCES ±0.25 [±0.01] UNLESS OTHERWISE STATED 1 DECIMAL PLACE ±0.25 [±0.01] 2 DECIMAL PLACES ± 0.10 [± 0.004] ANGULAR ±1°	THIRD ANGLE
--	---	-----------------

MATERIAL:		COLOUR:	
SILICONE RUBBER 65 +/- 5 SHORE A		SEE TABLE	
DESCRIPTION:		PART No:	
PULL MOUNT BUMPER		SEE TABLE	
DRG No:	NPR No:	Mass:(g)	SHEET SIZE
06-026	2004-340 - Grey 2004-341 - Black 2007-239 - Black	0.75 - 341 0.60 - 340	A4
DRN	DATE	CHKD	DATE
TC	14/10/05	TC	13/03/06
SCALE		SHEET No.	
NTS		1 OF 1	