



Chipsmall Limited consists of a professional team with an average of over 10 year of expertise in the distribution of electronic components. Based in Hongkong, we have already established firm and mutual-benefit business relationships with customers from,Europe,America and south Asia,supplying obsolete and hard-to-find components to meet their specific needs.

With the principle of “Quality Parts,Customers Priority,Honest Operation,and Considerate Service”,our business mainly focus on the distribution of electronic components. Line cards we deal with include Microchip,ALPS,ROHM,Xilinx,Pulse,ON,Everlight and Freescale. Main products comprise IC,Modules,Potentiometer,IC Socket,Relay,Connector.Our parts cover such applications as commercial,industrial, and automotives areas.

We are looking forward to setting up business relationship with you and hope to provide you with the best service and solution. Let us make a better world for our industry!



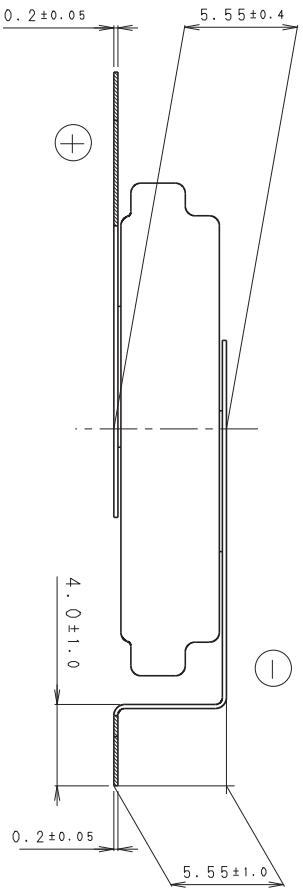
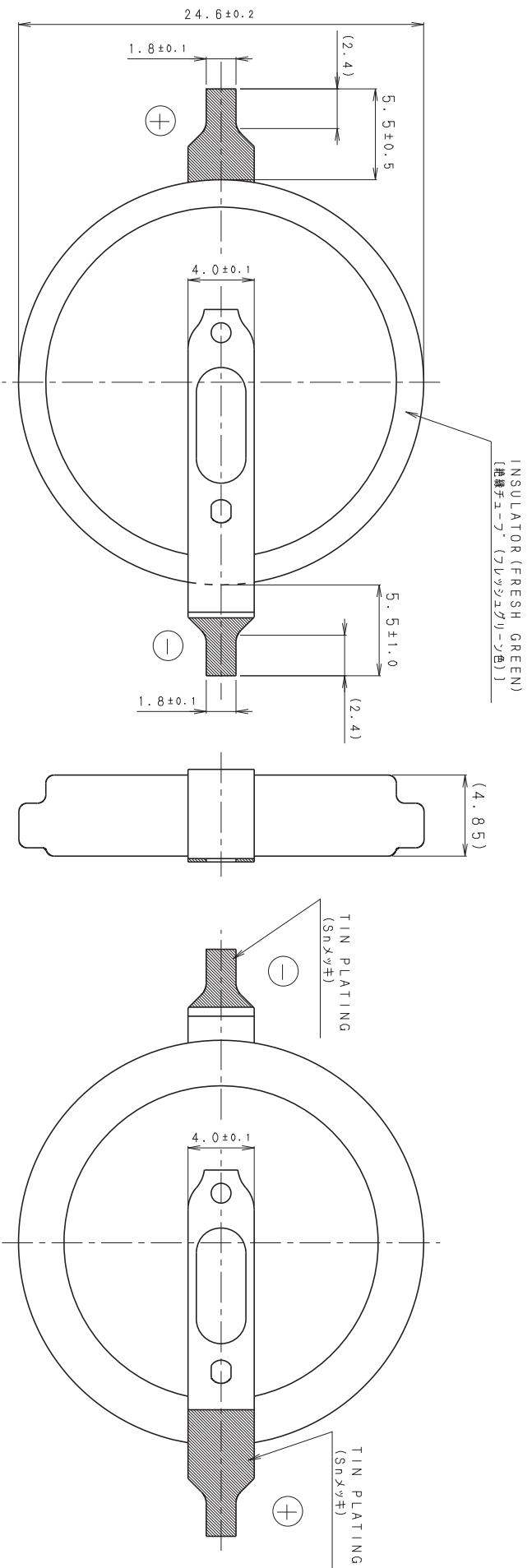
Contact us

Tel: +86-755-8981 8866 Fax: +86-755-8427 6832

Email & Skype: info@chipsmall.com Web: www.chipsmall.com

Address: A1208, Overseas Decoration Building, #122 Zhenhua RD., Futian, Shenzhen, China





*NOTE (注記)
 1. TAB PULLING STRENGTH OVER 19.6N (端子抜き強度: 19.6N以上)
 2. TAB MATERIAL: STAINLESS STEEL WITH TIN PLATING (端子材料: 素材 ステンレス/表面 部分Sn3Ag付)
 3. (): REFERENCE DIMENSION AND ANGLE (() 寸法、角度は参考値)

PRODUCT NO.	BR-2450A/FAN	SCALE	4:1
DRAWING NO.	RUF6AZ	REV.	0
		UNIT:	mm