



Chipsmall Limited consists of a professional team with an average of over 10 year of expertise in the distribution of electronic components. Based in Hongkong, we have already established firm and mutual-benefit business relationships with customers from,Europe,America and south Asia,supplying obsolete and hard-to-find components to meet their specific needs.

With the principle of “Quality Parts,Customers Priority,Honest Operation,and Considerate Service”,our business mainly focus on the distribution of electronic components. Line cards we deal with include Microchip,ALPS,ROHM,Xilinx,Pulse,ON,Everlight and Freescale. Main products comprise IC,Modules,Potentiometer,IC Socket,Relay,Connector.Our parts cover such applications as commercial,industrial, and automotives areas.

We are looking forward to setting up business relationship with you and hope to provide you with the best service and solution. Let us make a better world for our industry!



Contact us

Tel: +86-755-8981 8866 Fax: +86-755-8427 6832

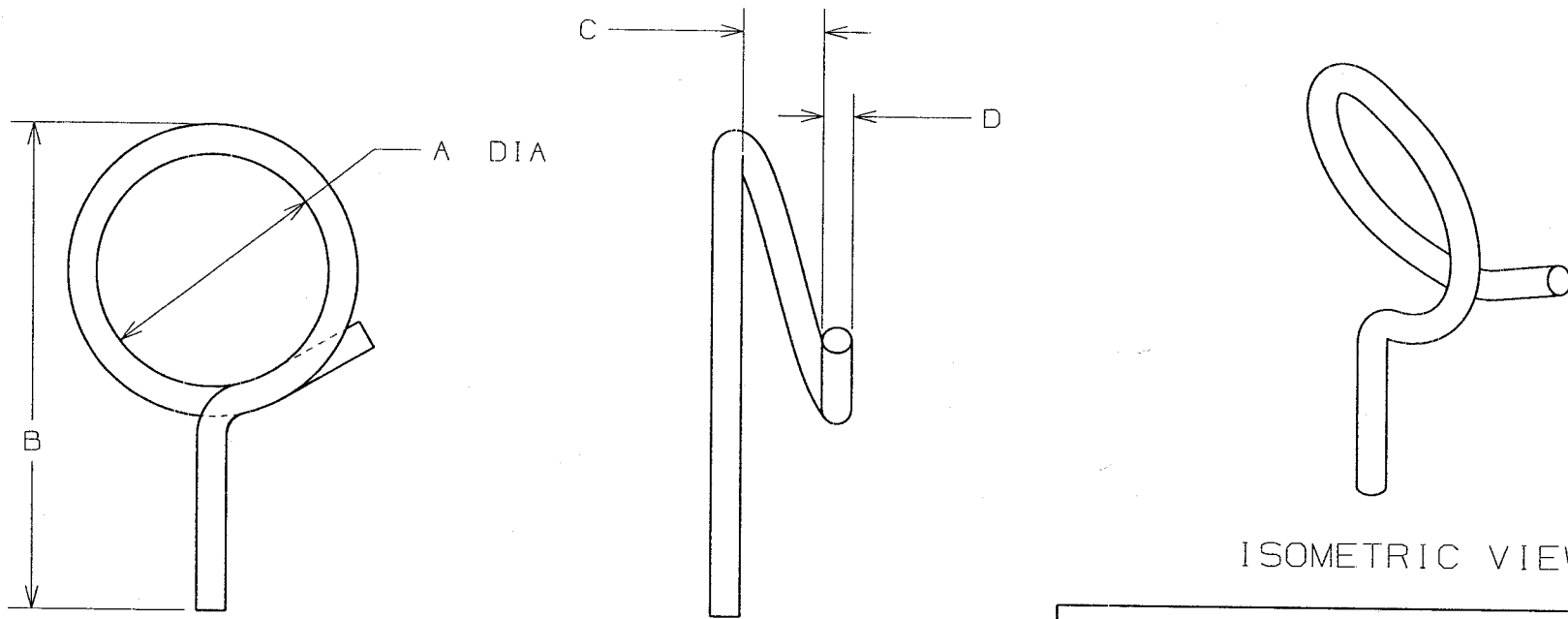
Email & Skype: info@chipsmall.com Web: www.chipsmall.com

Address: A1208, Overseas Decoration Building, #122 Zhenhua RD., Futian, Shenzhen, China



THIS COPY IS PROVIDED ON A RESTRICTED BASIS AND IS NOT TO BE USED IN ANY WAY DETRIMENTAL TO THE INTERESTS OF PANDUIT CORP.

PANDUIT PART NO.	DIMENSIONS				WEIGHT lbs/100pcs (kg)/100pcs
	A (REF)	B (REF)	C	D	
BR-.50	0.5 [13]	1.8 [45]	0.15 [4] MINIMUM	.161 [4.08] .157 [4.00]	1.9 (0.87)
BR-.75	.75 [19]	2.0 [52]	0.15 [4] MINIMUM	.161 [4.08] .157 [4.00]	2.4 (1.1)
BR-1.25	1.25 [32]	2.5 [64]	0.33 [8] MINIMUM	.161 [4.08] .157 [4.00]	3.3 (1.5)
BR-2.0	2.0 [51]	3.3 [83]	0.33 [8] MINIMUM	.161 [4.08] .157 [4.00]	5.1 (2.3)



ISOMETRIC VIEW

- NOTES:
 1. SEE CURRENT PRICE SHEET FOR PART NUMBER SUFFIX DESIGNATION FOR PACKAGE SIZE.
 2. FOR USE WITH PANDUIT PART #BR-MPCL.

DIMENSIONS IN BRACKETS ARE METRIC [mm]	
CAD FILENAME/LAYERS G03668CM_DC_GB3668CM/O1B	
PANDUIT CORP. TINLEY PARK, ILLINOIS	
BR-_ BRIDLE RING	
UNLESS OTHERWISE SPECIFIED, DIMENSIONAL TOLERANCES ARE: (.X) ±0.05 [1.3] (.XXX) ±0.010 [0.25] (.XX) ±0.02 [0.5] ANGLES ±5°	UNLESS OTHERWISE SPECIFIED, ALL DIMENSIONS ARE GIVEN IN INCHES, THIRD ANGLE PROJECTION.
DRAWN BY ARHA	MAT'L: LOW CARBON STEEL WITH BRIGHT ZINC ELECTROPLATE
DATE 09-15-09	SCALE NONE
CHK'D KCN	DRAWING NO. GB3668CM
	DWG A

REV	DATE	BY	CHK	DESCRIPTION	ECN	R	CUST	SUP
O1B	09/25/09	ARHA	DK	CORRECTED PART NUMBER FOR BR-.50	GB3668CM	O1B		KCN
O1A	09/15/09	ARHA		INITIAL RELEASE	GB3668CM	O1A		