



Chipsmall Limited consists of a professional team with an average of over 10 year of expertise in the distribution of electronic components. Based in Hongkong, we have already established firm and mutual-benefit business relationships with customers from,Europe,America and south Asia,supplying obsolete and hard-to-find components to meet their specific needs.

With the principle of “Quality Parts,Customers Priority,Honest Operation,and Considerate Service”,our business mainly focus on the distribution of electronic components. Line cards we deal with include Microchip,ALPS,ROHM,Xilinx,Pulse,ON,Everlight and Freescale. Main products comprise IC,Modules,Potentiometer,IC Socket,Relay,Connector.Our parts cover such applications as commercial,industrial, and automotives areas.

We are looking forward to setting up business relationship with you and hope to provide you with the best service and solution. Let us make a better world for our industry!



## Contact us

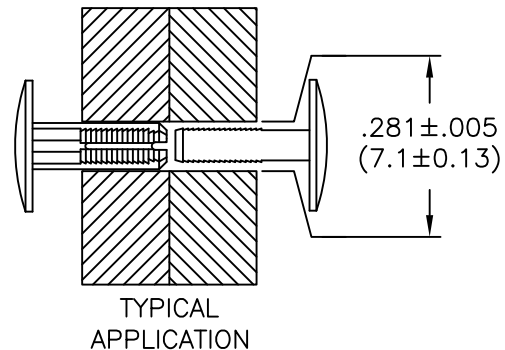
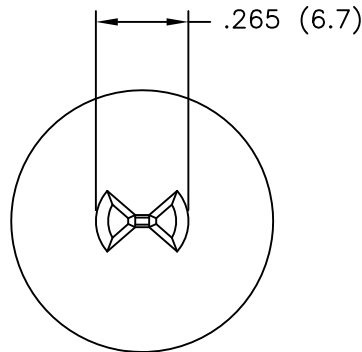
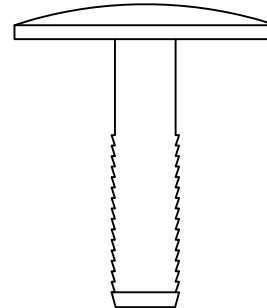
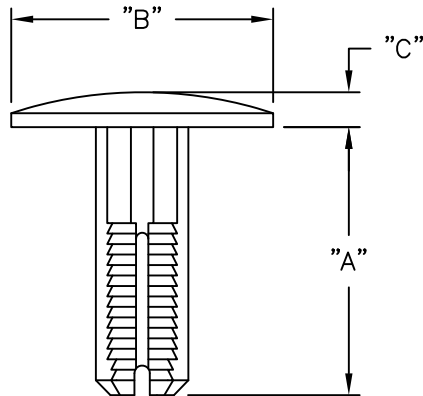
Tel: +86-755-8981 8866 Fax: +86-755-8427 6832

Email & Skype: info@chipsmall.com Web: www.chipsmall.com

Address: A1208, Overseas Decoration Building, #122 Zhenhua RD., Futian, Shenzhen, China



PART #	ASSEMBLED THICKNESS "T"	"A" REF.	"B" ±.010 (±0.25)	"C" ±.010 (±0.25)
BR1-226-01	.235-.297(6.0-7.5)	.226(5.7)	.750(19.1)	.093(2.4)
BR1-344-01	.346-.502(8.8-12.8)	.344(8.7)		
BR1-488-01	.500-.812(12.7-20.6)	.488(12.4)		
BR1-768-01	.781-1.375(19.8-34.9)	.768(19.5)		
BR2-226-01	.235-.297(6.0-7.5)	.226(5.7)	.406(10.3)	.062(1.6)
BR2-344-01	.346-.502(8.8-12.8)	.344(8.7)		
BR2-488-01	.500-.812(12.7-20.6)	.488(12.4)		
BR2-768-01	.781-1.375(19.8-34.9)	.768(19.5)		



NOTES:

1. MOUNTING HOLE DIA.  $.281 \pm .005$  (7.1 ± 0.13).
2. MATERIAL: NYLON 6/6 UL 94 V-2 (RMS-01).  
COLOR: NATURAL. BLACK IS AVAILABLE BY SPECIAL ORDER.  
TO ORDER ADD "BK" TO PART NO.  
NYLON 6/6 UL 94 V-0 (RMS-19)  
AVAILABLE BY SPECIAL ORDER ONLY.
3. AVAILABLE IN CLEAR PROPIONATE (RMS-12) UPON REQUEST.

E	SEE CO 200589 FOR CHANGES	SK 10.20.10
D	SEE ECN #1265 FOR CHANGES	SK 12.12.06
C	SEE ECN #715 FOR CHANGES	SM 10.09.03
B	CHANGED FILE NUMBER	SM 05.24.01
A	CHANGED DIMENSIONS	MH 09.04.97
REV	DESCRIPTION	ENGR DATE

TITLE: BARBED RIVET



DWG IN IN(MM)  
FINAL

TOLERANCES UNLESS NOTED .XX=±.020 .XXX=±.015 FRAC=±1/64 ANG=±1'	FILE # BR MAT'L: SEE NOTES RE: RICHCO, INC.	DWN: M.H. DT: 09-04-97	APP: DT:	PART # SEE TABLE	PRINT TYPE CA
		RICHCO INC. PO BOX 804238, CHICAGO, 60680 (773) 539-4060			