



Chipsmall Limited consists of a professional team with an average of over 10 year of expertise in the distribution of electronic components. Based in Hongkong, we have already established firm and mutual-benefit business relationships with customers from,Europe,America and south Asia,supplying obsolete and hard-to-find components to meet their specific needs.

With the principle of "Quality Parts,Customers Priority,Honest Operation,and Considerate Service",our business mainly focus on the distribution of electronic components. Line cards we deal with include Microchip,ALPS,ROHM,Xilinx,Pulse,ON,Everlight and Freescale. Main products comprise IC,Modules,Potentiometer,IC Socket,Relay,Connector.Our parts cover such applications as commercial,industrial, and automotives areas.

We are looking forward to setting up business relationship with you and hope to provide you with the best service and solution. Let us make a better world for our industry!



Contact us

Tel: +86-755-8981 8866 Fax: +86-755-8427 6832

Email & Skype: info@chipsmall.com Web: www.chipsmall.com

Address: A1208, Overseas Decoration Building, #122 Zhenhua RD., Futian, Shenzhen, China



SUMMARY

Wires

Low	0
High	0
Coax	0
Triax	0
Quad	0
Fiber	0
Fluidic	0

Series	00
Termination type	No contacts / Accessory
IP rating	61
Cable Ø	0.00 - 0.00 mm
Matching parts	
Status	
Alternative part	



Image is for illustrative purpose only

Download

[Request a quote](#)

[Catalog](#)

TECHNICAL DETAILS

Mechanics

Shell Style/Model	BRA*: Cap for receptacle
Keying	2 keys (alpha=30, plug: male contacts, receptacle: female contacts)
Housing Material	
Cable Fixing	∅ 0 - 0 mm
Variant	

Performance

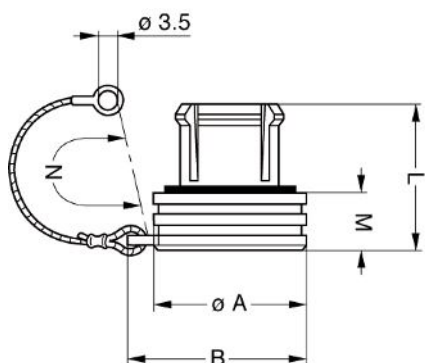
Configuration
Insulator
Rated Current

Others

IP Rating: 61

DRAWINGS

Draws



Dimensions

	A	B	L	M	N
mm.	7.5	9.8	9	3.5	60
in.	0,30	0,39	0,35	0,14	2,36

RECOMMENDED BY LEMO

Tools

None

Cables