



Chipsmall Limited consists of a professional team with an average of over 10 year of expertise in the distribution of electronic components. Based in Hongkong, we have already established firm and mutual-benefit business relationships with customers from,Europe,America and south Asia,supplying obsolete and hard-to-find components to meet their specific needs.

With the principle of "Quality Parts,Customers Priority,Honest Operation,and Considerate Service",our business mainly focus on the distribution of electronic components. Line cards we deal with include Microchip,ALPS,ROHM,Xilinx,Pulse,ON,Everlight and Freescale. Main products comprise IC,Modules,Potentiometer,IC Socket,Relay,Connector.Our parts cover such applications as commercial,industrial, and automotives areas.

We are looking forward to setting up business relationship with you and hope to provide you with the best service and solution. Let us make a better world for our industry!



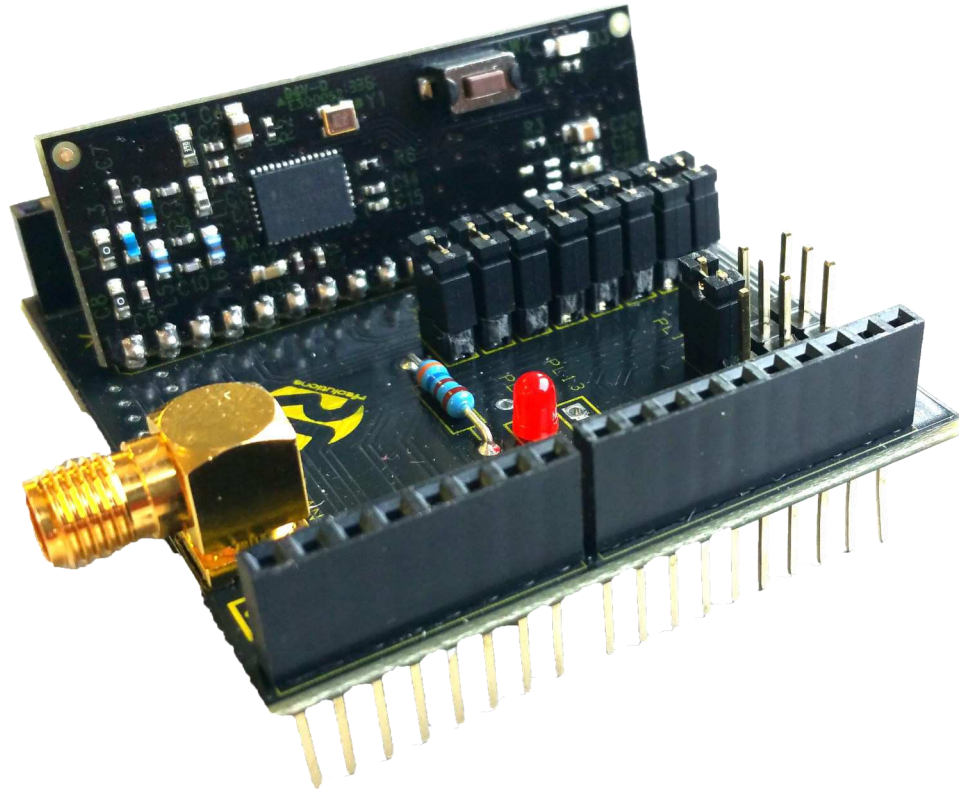
## Contact us

Tel: +86-755-8981 8866 Fax: +86-755-8427 6832

Email & Skype: info@chipsmall.com Web: www.chipsmall.com

Address: A1208, Overseas Decoration Building, #122 Zhenhua RD., Futian, Shenzhen, China





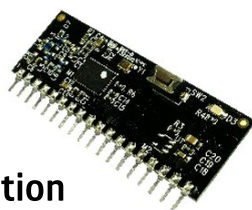
## Description

The BRAVO Arduino shield can be controlled by many of the RF Solutions hand held remote controls, bringing Remote Control of your Arduino. It can also work with other BRAVO Arduino Shields to provide a Remote Telemetry link.

- **BRAVO-T868**

<http://www.rfsolutions.co.uk/acatalog/DS-BRAVO.pdf>

This provides a Telemetry receiver and is compatible with other RF Solutions' compatible transmitters key fobs. Using these together provides a remote Control Link.



## Ordering Information

Part No	Description
BRAVO-ARD	Arduino Shield for BRAVO Telemetry Module

# PCB-BRAVO-ARD-1



## PL 9 > 11 Link options settings

1,2 = open / closed contolled via jumper Link  
 2,3 = Link on 2,3 = hold high / low controlled via arduino

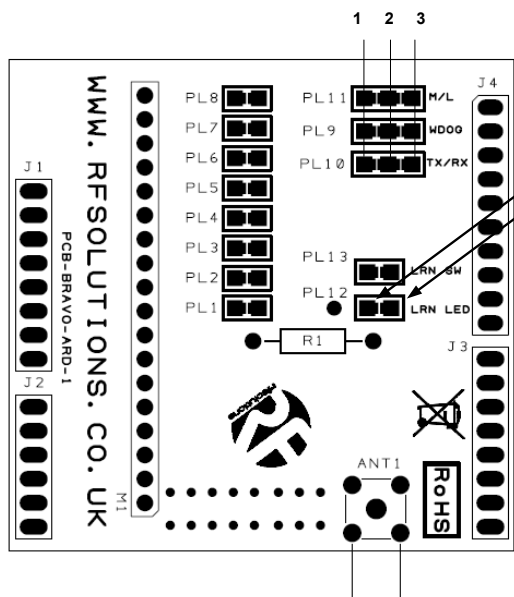
PL 1 > 8 enable / disable inputs/outputs to arduino

PL1 = Ch1 (closed = enabled)  
 PL8 = Ch8 (open = disabled)

PL9 = Watchdog enable  
 PL10 = TX/RX select  
 PL11 = Mom /Latch select

PL12 = Learn LED (External LED)  
 PL13 = Learn button (External 0V button)

R1 = resistor for external LED 330R > 470R



LED Cathode (-)  
 LED Anode (+)

PIN12 = BRAVO MOM/LATCH  
 PIN11 = BRAVO WATCHDOG EN  
 PIN10 = BRAVO TX/RX SEL  
 PIN9 = BRAVO CH8  
 PIN8 = BRAVO CH7  
 PIN7 = BRAVO CH6  
 PIN6 = BRAVO CH5  
 PIN5 = BRAVO CH4  
 PIN4 = BRAVO CH3  
 PIN3 = BRAVO CH2  
 PIN2 = BRAVO CH1

Link	Action	Description
PL1, 8	Closed	Inputs / outputs controlled via the Arduino
	Open	Inputs / outputs disconnected from Arduino
PL 9	Closed/open/Arduino control	Watchdog option
PL 10	Closed/open/Arduino control	Momentary / latching option
PL 11	Closed/open/Arduino control	TX/RX option
PL12		External LED (pin1 cathode -ve, pin 2 Anode +ve)
PL13		Is for an external 0V LRN button

## Resources / Further Reading

- BRAVO-T868 datasheet: Containing technical information including: pin description, dimensions and set-up of the KAPPA modem module.  
<http://www.rfsolutions.co.uk/acatalog/DS-BRAVO.pdf>
- Build Pack: Containing schematic, Gerbers, Design Spark project file and the BOM for the shield.

Please go to the page below on our website for our Arduino Uno demo downloads  
<http://www.rfsolutions.co.uk/downloads/Arduino.php>

## RF Solutions Ltd. Recycling Notice

Meets the following EC Directives:



### DO NOT

Discard with normal waste, please recycle.



### ROHS Directive 2002/95/EC

Specifies certain limits for hazardous substances.

### WEEE Directive 2002/96/EC

Waste electrical & electronic equipment. This product must be disposed of through a licensed WEEE collection point. RF Solutions Ltd., fulfils its WEEE obligations by membership of an approved compliance scheme.

### Waste Batteries and Accumulators Directive 2006/66/EC

Where batteries are fitted, before recycling the product, the batteries must be removed and disposed of at a licensed collection point.

**Environment Agency producer registration number:**  
 WEE/JB0104WV.

[www.rfsolutions.co.uk](http://www.rfsolutions.co.uk)

## RF Solutions Ltd

William Alexander House, William Way, Burgess Hill, West Sussex, RH15 9AG  
 Sales: +44(0)1444 227 910 Tech Support: +44(0)1444 227909

