



Chipsmall Limited consists of a professional team with an average of over 10 year of expertise in the distribution of electronic components. Based in Hongkong, we have already established firm and mutual-benefit business relationships with customers from,Europe,America and south Asia,supplying obsolete and hard-to-find components to meet their specific needs.

With the principle of “Quality Parts,Customers Priority,Honest Operation,and Considerate Service”,our business mainly focus on the distribution of electronic components. Line cards we deal with include Microchip,ALPS,ROHM,Xilinx,Pulse,ON,Everlight and Freescale. Main products comprise IC,Modules,Potentiometer,IC Socket,Relay,Connector.Our parts cover such applications as commercial,industrial, and automotives areas.

We are looking forward to setting up business relationship with you and hope to provide you with the best service and solution. Let us make a better world for our industry!



Contact us

Tel: +86-755-8981 8866 Fax: +86-755-8427 6832

Email & Skype: info@chipsmall.com Web: www.chipsmall.com

Address: A1208, Overseas Decoration Building, #122 Zhenhua RD., Futian, Shenzhen, China

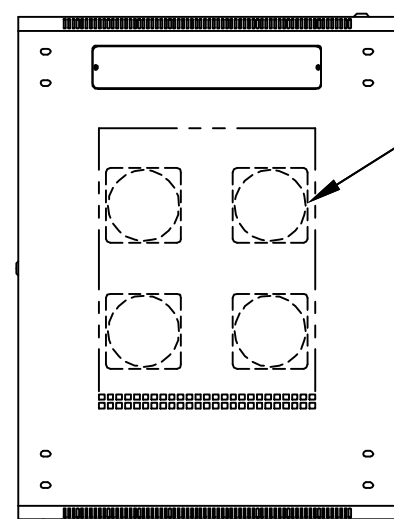


MATERIAL:
 PANEL MOUNTING RAILS - 14 GA. (0.08" [2.0] THK.) STEEL
 ALL OTHER PARTS - 18 GA. (0.05" [1.2] THK.) STEEL

FINISH:
 BLACK TEXTURED POWDER COATING

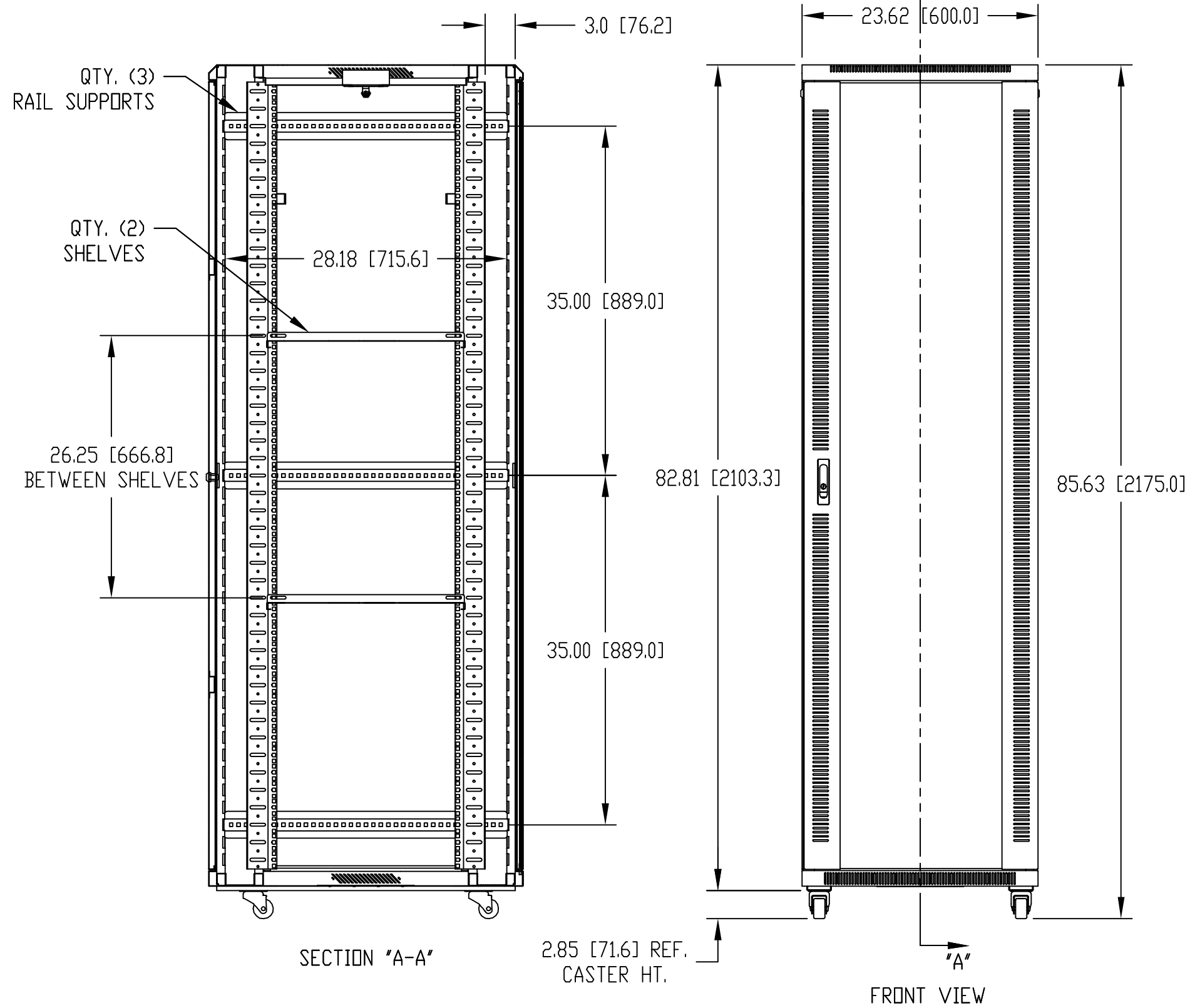
PANEL MOUNTING RAILS HAVE 0.35" [8.9] SQUARE HOLES
 ON E.I.A. UNIVERSAL HOLE SPACING

SUPPLIED HARDWARE KIT TO INCLUDE:
 QTY. (40) M6 CAGE NUT
 QTY. (40) M6 PAN HEAD SCREW
 QTY. (40) NYLON FLAT WASHER
 QTY. (4) M10 x 2.25" [57.2] LG. STEM LEVELER W/HEX NUT
 QTY. (8) KEYS

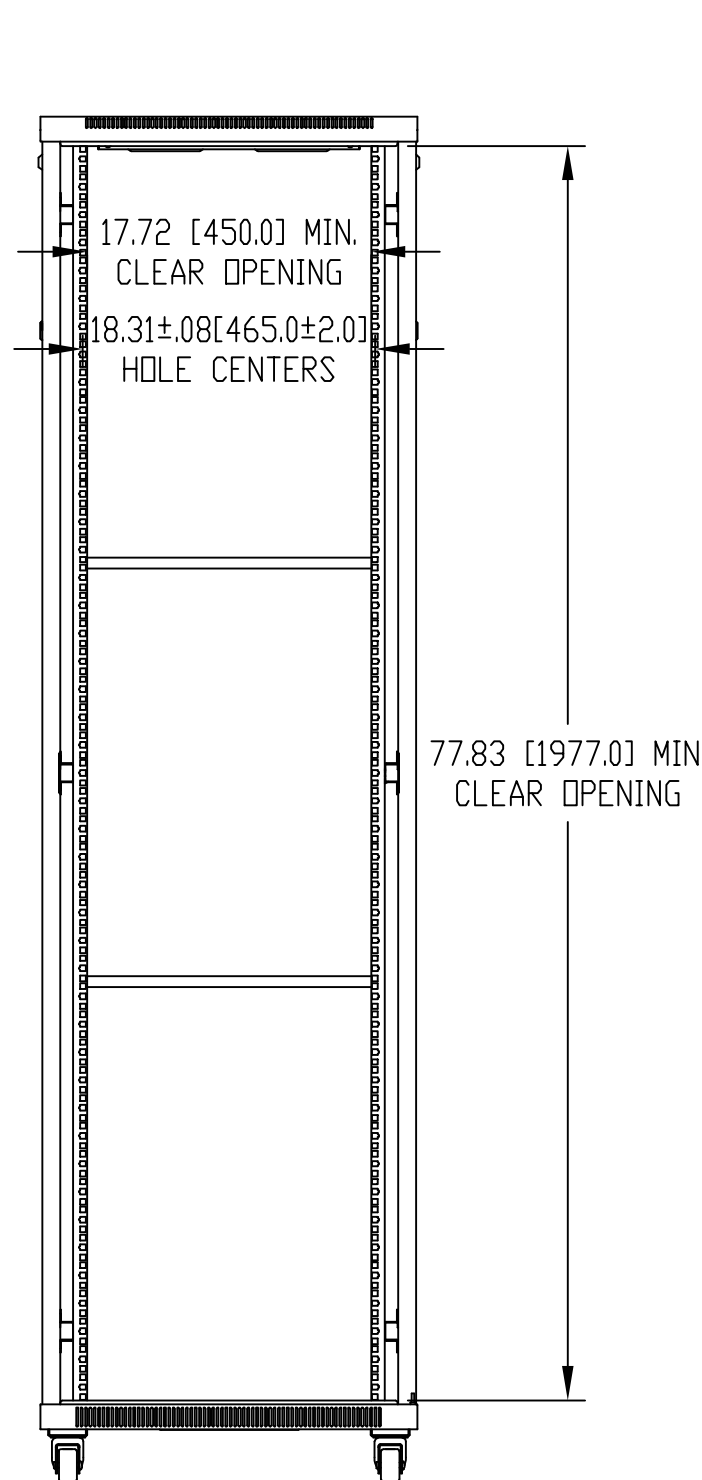


QTY. (4) FANS

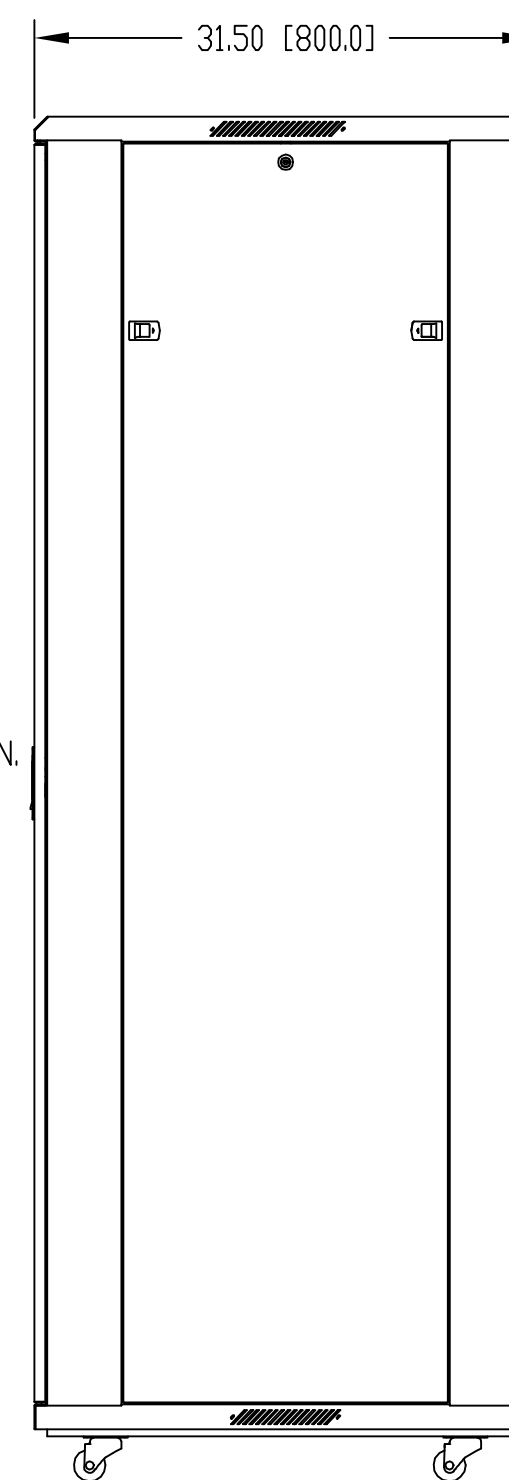
TOP VIEW



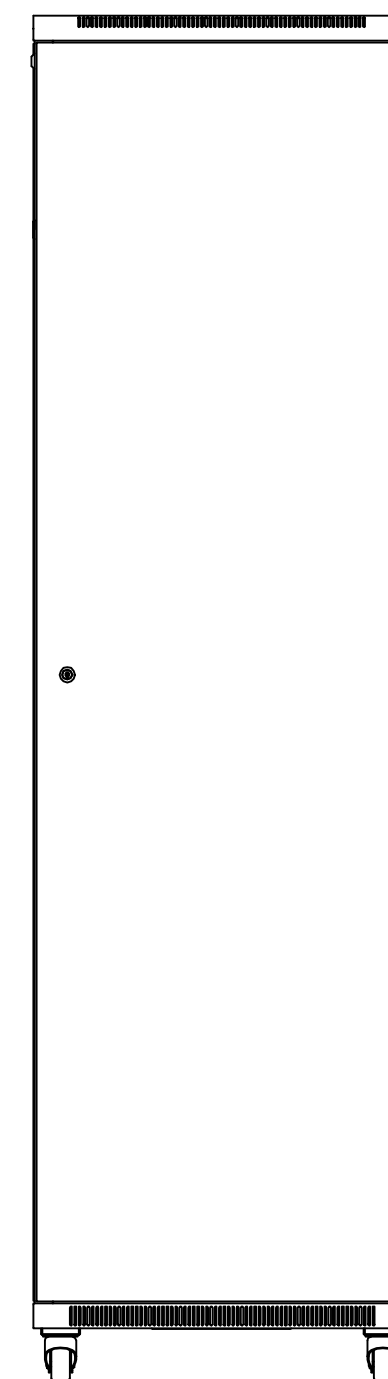
FRONT VIEW



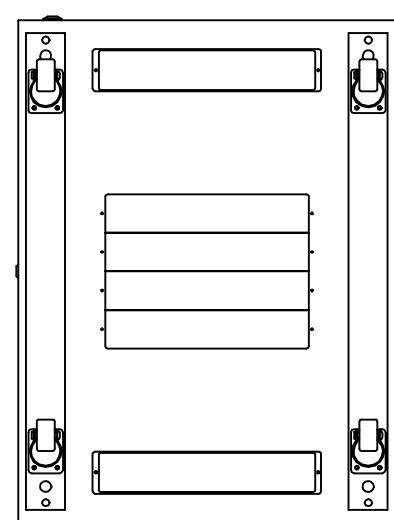
FRONT VIEW (DOOR REMOVED)



RIGHT SIDE VIEW



BACK VIEW



BOTTOM VIEW

TOLERANCE ALL DIMENSIONS: ±0.08" [2.0]

		ITEM	REQ'D.	PART NO.	DESCRIPTION	
QTY.	USED ON	TOLERANCES:			NAME: 45U BUDRACK PROFESSIONAL SERIES	
		±.005 BETWEEN HOLE CENTERS				MAT: AS NOTED
		±.015 FROM SHEARED EDGE				FINISH: AS NOTED
		±.032 FROM A BENT SURFACE				DR. DAB 6-20-08
±.063 BETWEEN ASSEMBLED SURFACES			CH.	SCALE: BUD BUD INDUSTRIES, INC. WILLOUGHBY, OHIO		
UNLESS OTHERWISE SPECIFIED			APP.		DWG. NO. BRP-12218	