



Chipsmall Limited consists of a professional team with an average of over 10 year of expertise in the distribution of electronic components. Based in Hongkong, we have already established firm and mutual-benefit business relationships with customers from,Europe,America and south Asia,supplying obsolete and hard-to-find components to meet their specific needs.

With the principle of "Quality Parts,Customers Priority,Honest Operation,and Considerate Service",our business mainly focus on the distribution of electronic components. Line cards we deal with include Microchip,ALPS,ROHM,Xilinx,Pulse,ON,Everlight and Freescale. Main products comprise IC,Modules,Potentiometer,IC Socket,Relay,Connector.Our parts cover such applications as commercial,industrial, and automotives areas.

We are looking forward to setting up business relationship with you and hope to provide you with the best service and solution. Let us make a better world for our industry!



Contact us

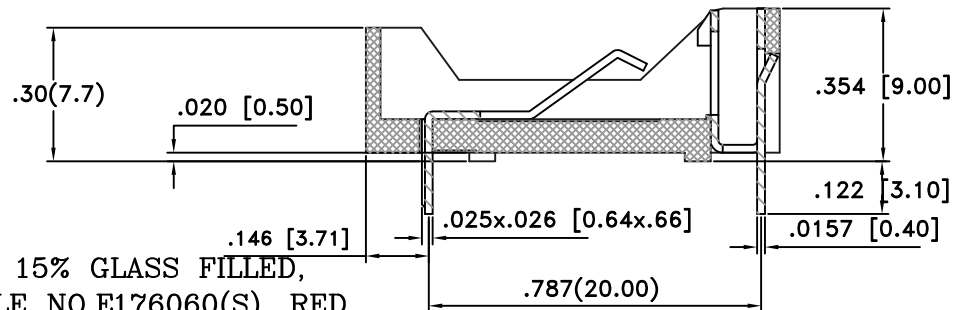
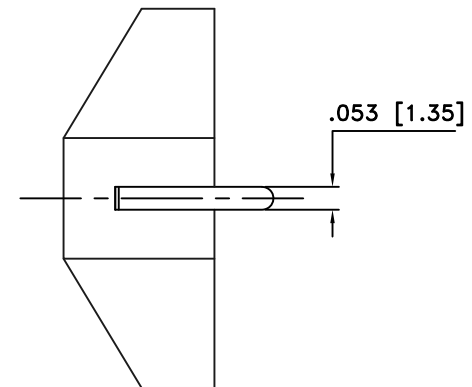
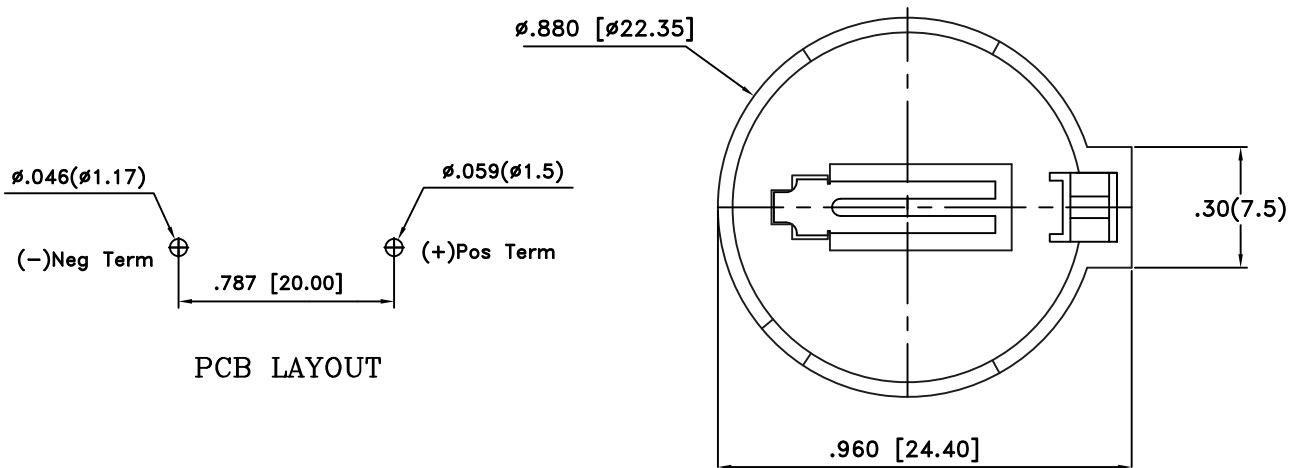
Tel: +86-755-8981 8866 Fax: +86-755-8427 6832

Email & Skype: info@chipsmall.com Web: www.chipsmall.com

Address: A1208, Overseas Decoration Building, #122 Zhenhua RD., Futian, Shenzhen, China



Date	SYM	REVISION RECORD	AUTH	DR.	CK.
05/04/12	A	REMOVED THE SOLDER DIPPED TAILS FROM NOTES	T.B.	B.S.	



MATERIAL

BODY: FR-NYLON WITH 15% GLASS FILLED,
UL94V-0, UL FILE NO.E176060(S), RED

CONTACT: PHOSPHOR BRONZE

FINISH

CONTACT: NICKEL PLATED OVERALL

SPECIFICATIONS

APPLICATION FOR 3V LITHIUM BATTERY, CR2032 OR BR2032


INSULTOR RESISTANCE: 5000 MΩ MIN.

OPERATION TEMPERATURE: -55°C TO +105°C

DURABILITY: 50 CYCLES MIN

CONTACT RESISTANCE: 30 MΩ MAX

ROHS COMPLIANT

Tolerance (Except as noted)	 Memory protection Devices, Inc 200 Broad Hollow Road, Farmingdale, New York 11735	Scale	Drawn By T.S.
		4=1	Approved By T.B.
decimal ±.5 (.020)	Title CR2032 BATTERY HOLDER WITH EASY RELEASE CLIP		
Fractional ± .8 (.030)	Date	Drawing Number	
Angular ± 3°	05/04/12	BS-7-RED	