



Chipsmall Limited consists of a professional team with an average of over 10 year of expertise in the distribution of electronic components. Based in Hongkong, we have already established firm and mutual-benefit business relationships with customers from,Europe,America and south Asia,supplying obsolete and hard-to-find components to meet their specific needs.

With the principle of “Quality Parts,Customers Priority,Honest Operation,and Considerate Service”,our business mainly focus on the distribution of electronic components. Line cards we deal with include Microchip,ALPS,ROHM,Xilinx,Pulse,ON,Everlight and Freescale. Main products comprise IC,Modules,Potentiometer,IC Socket,Relay,Connector.Our parts cover such applications as commercial,industrial, and automotives areas.

We are looking forward to setting up business relationship with you and hope to provide you with the best service and solution. Let us make a better world for our industry!



## Contact us

Tel: +86-755-8981 8866 Fax: +86-755-8427 6832

Email & Skype: info@chipsmall.com Web: www.chipsmall.com

Address: A1208, Overseas Decoration Building, #122 Zhenhua RD., Futian, Shenzhen, China



THIS COPY IS PROVIDED ON A RESTRICTED BASIS AND IS NOT TO BE USED IN ANY WAY DETRIMENTAL TO THE INTERESTS OF PANDUIT CORP.

PANDUIT PART NUMBER PREFIX	WIRE SIZE AWG	DIMENSIONS in.		
		A $\pm .02$	B DIA. $\pm .01$	C $\pm .01$
BS18	22-18	.62 (15.7)	.14 (3.6)	.032 (0.81)
BS14	16-14	.62 (15.7)	.16 (4.1)	.032 (0.81)
BS10	12-10	.63 (16.0)	.22 (5.6)	.040 (1.02)

NOTES:

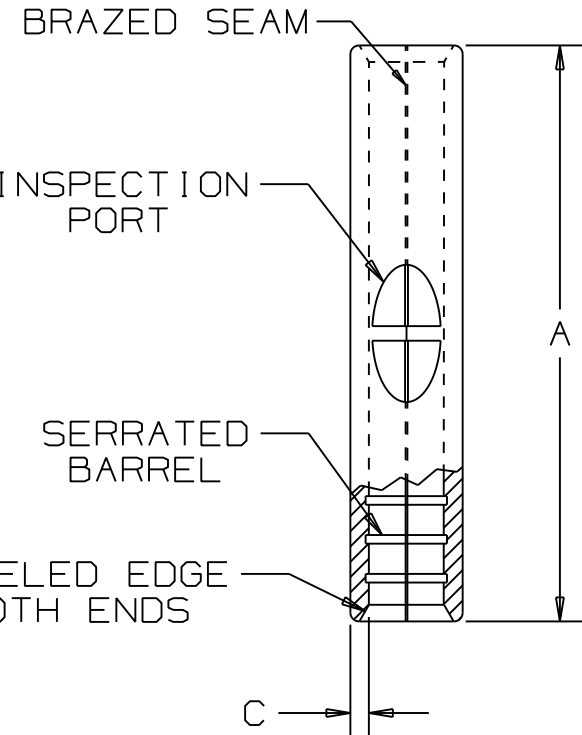
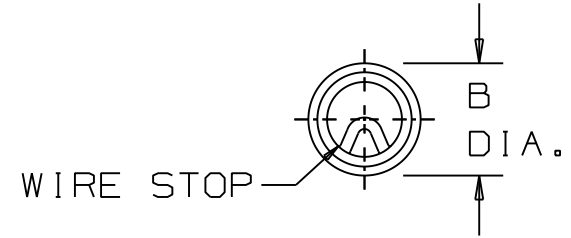
- UL LISTED AND CSA CERTIFIED FOR:
  - SOLID OR STRANDED COPPER WIRE
  - 302° F (150° C) MAX. TEMP. RATING
- MATERIAL:
  - STAMPING - COPPER, TIN PLATED
- See [www.panduit.com](http://www.panduit.com) FOR PART NUMBER SUFFIX DESIGNATION FOR PACKAGE SIZE.
- DIMENSIONS IN BRACKETS ARE IN MILLIMETERS
- INSTALLATION TOOLS:
  - UL LISTED AND CSA CERTIFIED:  
CT-100, CT-100A, CT-200, CT-570, CT-600A,  
CT-1570, CT-1701, CT-2500
  - PANDUIT APPROVED: CT-160, CT-260
- WIRE STRIP LENGTH:  $9/32^{+1/32}_{-0}$  (7.1  $^{+.8}_{-0}$ )



LISTED  
587H  
E52164



CERTIFIED  
LR31212



**PANDUIT** CORP.

TINLEY PARK, ILLINOIS

NON-INSULATED BUTT SPLICE

REV	DATE	BY	CHK	DESCRIPTION
07	8-11	SHOR		MODIFIED NOTE #3
06	4-11	SB		ADDED CT-2500, CT-600A, CT1701 TOOLS. ADDED NOTE #3

DRAWN BY DAW	CHK'D	SCALE NONE	DRAWING NO. A41338
-----------------	-------	---------------	-----------------------