



Chipsmall Limited consists of a professional team with an average of over 10 year of expertise in the distribution of electronic components. Based in Hongkong, we have already established firm and mutual-benefit business relationships with customers from,Europe,America and south Asia,supplying obsolete and hard-to-find components to meet their specific needs.

With the principle of “Quality Parts,Customers Priority,Honest Operation,and Considerate Service”,our business mainly focus on the distribution of electronic components. Line cards we deal with include Microchip,ALPS,ROHM,Xilinx,Pulse,ON,Everlight and Freescale. Main products comprise IC,Modules,Potentiometer,IC Socket,Relay,Connector.Our parts cover such applications as commercial,industrial, and automotives areas.

We are looking forward to setting up business relationship with you and hope to provide you with the best service and solution. Let us make a better world for our industry!



Contact us

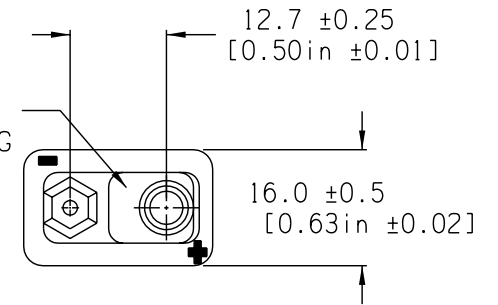
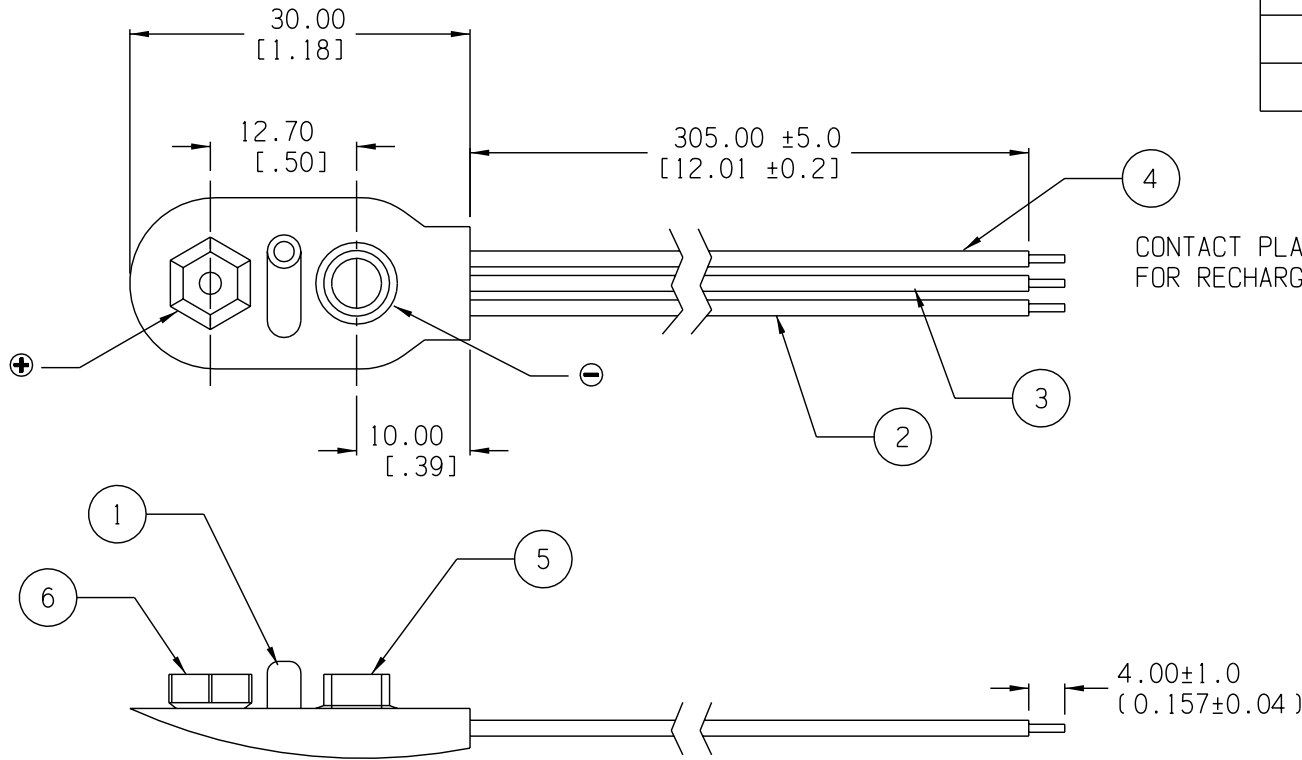
Tel: +86-755-8981 8866 Fax: +86-755-8427 6832

Email & Skype: info@chipsmall.com Web: www.chipsmall.com

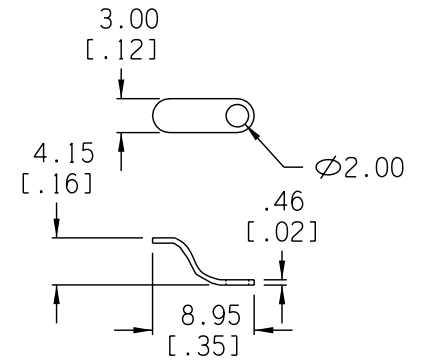
Address: A1208, Overseas Decoration Building, #122 Zhenhua RD., Futian, Shenzhen, China



Date	SYM	REVISION RECORD	AUTH	DR.	CK.
03/29/03	A	CONTACT WAS SPRING CONTACT	T.B.	B.S.	
01/12/04	B	DIM. 12.70 ON BATTERY SNAP WAS 12.90 REMOVED 1.50 DIM.	T.B.	B.S.	



TOP VIEW OF BATTERY



CONTACT DETAIL

ITEM NO.	PART NAME	MATL. SPECIFICATION	Tolerance (Inches)	Memory Protection Devices, Inc. 200 Broad Hollow Road, Farmingdale, New York 11735	
1	CONTACT, RECHARGE	Be-Cu, NICKLE PLTD	Decimal ±.5 (.020)	Scale	Drawn By B.S.
2	RED WIRE, POSITIVE	24AWG, UL1007			Approved By T.B.
3	YELLOW WIRE, RECHARGE	24AWG, UL1007		Fractional ± .8 (.030)	Title BATTERY SNAP FOR RECHARGEABLE 9 VOLT
4	BLACK WIRE, NEGETIVE	24AWG, UL1007	Date 01/12/04		Drawing Number BS121-NICAD
5	MALE SNAP	BRASS, NICKLE PLTD.	Angular ± 3°		
6	FEMALE SNAP	BRASS, NICKLE PLTD.			
MATES WITH VARTA BATTERY # V7/8R NiCAD AND V7/8H NiMH					