



Chipsmall Limited consists of a professional team with an average of over 10 year of expertise in the distribution of electronic components. Based in Hongkong, we have already established firm and mutual-benefit business relationships with customers from,Europe,America and south Asia,supplying obsolete and hard-to-find components to meet their specific needs.

With the principle of “Quality Parts,Customers Priority,Honest Operation,and Considerate Service”,our business mainly focus on the distribution of electronic components. Line cards we deal with include Microchip,ALPS,ROHM,Xilinx,Pulse,ON,Everlight and Freescale. Main products comprise IC,Modules,Potentiometer,IC Socket,Relay,Connector.Our parts cover such applications as commercial,industrial, and automotives areas.

We are looking forward to setting up business relationship with you and hope to provide you with the best service and solution. Let us make a better world for our industry!



## Contact us

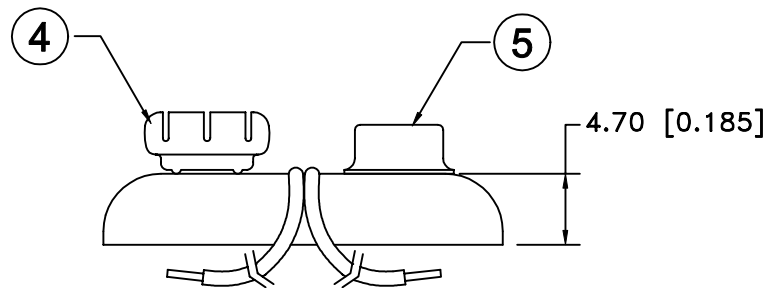
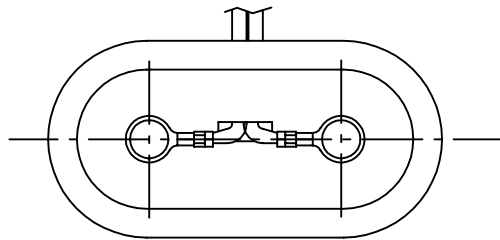
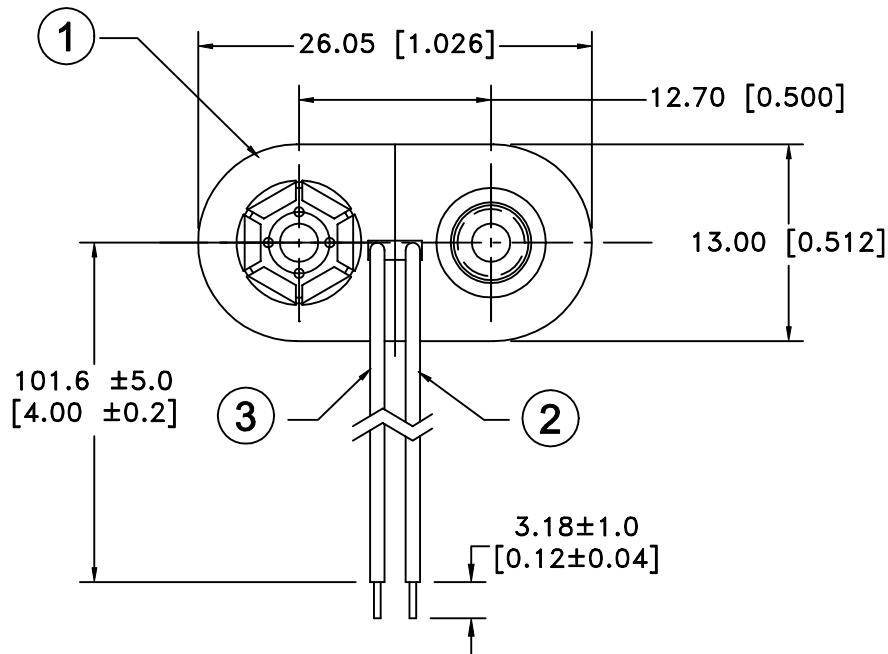
Tel: +86-755-8981 8866 Fax: +86-755-8427 6832

Email & Skype: info@chipsmall.com Web: www.chipsmall.com

Address: A1208, Overseas Decoration Building, #122 Zhenhua RD., Futian, Shenzhen, China



Date	SYM	REVISION RECORD	AUTH	DR.	CK.



**NOTES:**

1. T STYLE 2 PCS. MOLDED CASE CONSTRUCTION WITH CRIMP CONNECTIONS. CRIMP ON WIRE INSULATION AND ON WIRE PROVIDES STRAIN RELIEF THAT STANDARD SOLDERED SNAPS DO NOT HAVE.

NO.	PART NAME	MATERIAL	QTY.	Tolerance	Memory Protection Devices, Inc	
1	MOLDED CASE	2 PCS., POLYETHYLENE, WHITE WITH BLUE INSERT	1	(Except as noted)	200 Broad Hollow Road, Farmingdale, New York 11735	
2	BLACK WIRE(-)	24 AWG OR 26 AWG, UL-1007, CSA TR-64, 300V, 80°C	1	decimal	Scale	Drawn By B.S.
3	RED WIRE (+)	24 AWG OR 26 AWG, UL-1007, CSA TR-64, 300V, 80°C	1	±.5 (.020)		Approved By T.B.
4	FEMALE SNAP	BRASS, NICKLE PLATED	1	Fractional	Title 9 VOLT BATTERY SNAP-T STYLE-4" WIRE LEADS, MOLDED CASE	
5	MALE SNAP	BRASS NICKLE PLATED	1	± .8 (.030)	Date	Drawing Number
				Angular	06/09/01	BS4T-MC
				± 3°		