



Chipsmall Limited consists of a professional team with an average of over 10 year of expertise in the distribution of electronic components. Based in Hongkong, we have already established firm and mutual-benefit business relationships with customers from,Europe,America and south Asia,supplying obsolete and hard-to-find components to meet their specific needs.

With the principle of “Quality Parts,Customers Priority,Honest Operation,and Considerate Service”,our business mainly focus on the distribution of electronic components. Line cards we deal with include Microchip,ALPS,ROHM,Xilinx,Pulse,ON,Everlight and Freescale. Main products comprise IC,Modules,Potentiometer,IC Socket,Relay,Connector.Our parts cover such applications as commercial,industrial, and automotives areas.

We are looking forward to setting up business relationship with you and hope to provide you with the best service and solution. Let us make a better world for our industry!



Contact us

Tel: +86-755-8981 8866 Fax: +86-755-8427 6832

Email & Skype: info@chipsmall.com Web: www.chipsmall.com

Address: A1208, Overseas Decoration Building, #122 Zhenhua RD., Futian, Shenzhen, China



BOS-Streamline



Detailed product information can be found on www.bopla.de



- 6 basic sizes
- 2 colours
- Flat or inclined design by turning the enclosure half-shells
- Lid optionally with display screen (DIS) or continuous membrane area (F)
- Versions with or without battery compartment
- Optional impact protection/decor seal in 5 colours

Colour:

Graphite grey, similar to RAL 7024 or light grey, similar to RAL 7035; special colours on request

Protection class:

Up to IP 65/DIN EN 60529, depending on the model

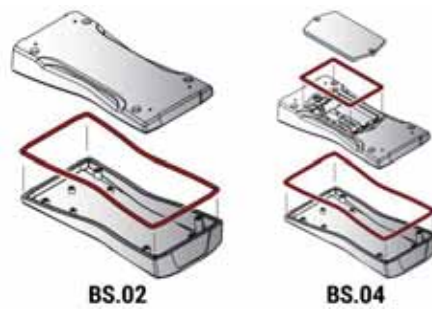
Enclosure material:

ABS, decor seal made of TPE; for details see Technical Information

Ergonomic ABS hand-held enclosure with optional impact protection seal



BS .00: without battery compartment, IP 40
BS .01: with battery compartment, IP 40



BS .02: without battery compartment, IP 65
BS .04: with battery compartment, IP 65



BS .00: without battery compartment, with additional decor seal IP 65 (except for BS 200, IP 54)
BS .03: with battery compartment, with additional decor seal IP 65



Turning the lid by 180° against the base allows the forming of profile variants.



All enclosures have a recessed membrane keypad surface.



Some versions are also equipped with a display cut-out and/or a battery compartment.



BS 2..F: Fitted as standard with a loop for attaching a lanyard. All other sizes can be retrofitted.



Silver edition



Optional decor seal ensures a high level of protection. Protects the enclosure if it is dropped. Offers colour design options.

BOS-Streamline 2..F | with continuous membrane keypad area

BS 200 F, IP 40 (IP 54), with loop for attaching lanyard

Model	Order no.	A	B	C	Colour
BS 200 F-7024	82200124	79,4	44,1	22,2	Graphite grey
BS 200 F-7035	82200135	79,4	44,1	22,2	Light grey
BS 200 F-S	82200100*	79,4	44,1	22,2	Silver

Scope of delivery: Lid and base, 1 screw

Note: Upgradable to IP 54 by fitting DI-D.

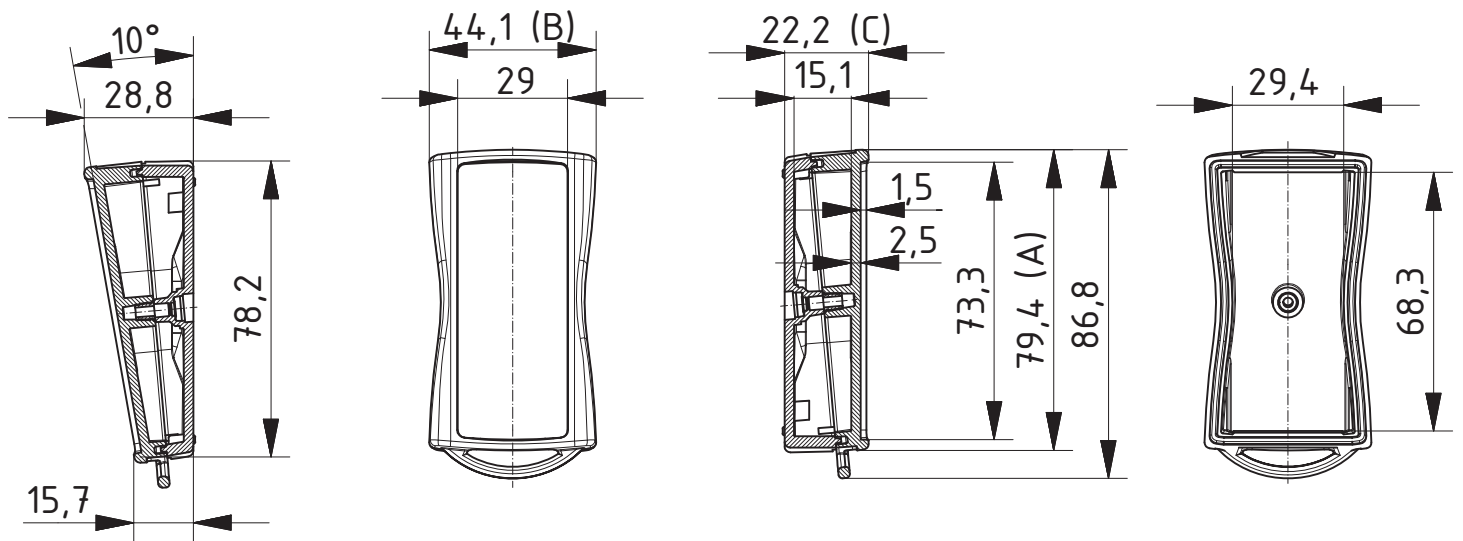


BS 202 F, IP 54, with loop for attaching lanyard

Model	Order no.	A	B	C	Colour
BS 202 F-7024	82202124	79,4	44,1	22,2	Graphite grey
BS 202 F-7035	82202135	79,4	44,1	22,2	Light grey
BS 202 F-S	82202100*	79,4	44,1	22,2	Silver

Scope of delivery: Lid and base including seal, 1 screw





Z-2803266

BOS-Streamline 4..F | with continuous membrane keypad area

BS 400 F without battery compartment, IP 40 (IP 65)



Model	Order no.	A	B	C	Colour
BS 400 F-7024	82400124	119,3	64,9	26,5	Graphite grey
BS 400 F-7035	82400135	119,3	64,9	26,5	Light grey
BS 400 F-S	82400100*	119,3	64,9	26,5	Silver

Scope of delivery: Lid and base, 4 screws

Note: * = Available on request. Upgradable to IP 65 by fitting DI-D.

BS 402 F without battery compartment, IP 65



Model	Order no.	A	B	C	Colour
BS 402 F-7024	82402124	119,3	64,9	26,5	Graphite grey
BS 402 F-7035	82402135	119,3	64,9	26,5	Light grey
BS 402 F-S	82402100*	119,3	64,9	26,5	Silver

Scope of delivery: Lid and base including seal, 4 screws

BS 401 with compartment for 3 micro (AAA) batteries, IP 40



Model	Order no.	A	B	C	Colour
BS 401 F-7024	82401124	119,3	64,9	26,5	Graphite grey
BS 401 F-7035	82401135	119,3	64,9	26,5	Light grey
BS 401 F-S	82401100*	119,3	64,9	26,5	Silver

Scope of delivery: Lid and base, 4 screws, battery compartment lid, screws, battery contacts

BS 403 F with compartment for 3 micro (AAA) batteries, IP 40 (IP 65)



Model	Order no.	A	B	C	Colour
BS 403 F-7024	82403124	119,3	64,9	26,5	Graphite grey
BS 403 F-7035	82403135	119,3	64,9	26,5	Light grey
BS 403 F-S	82403100*	119,3	64,9	26,5	Silver

Scope of delivery: Lid and base, 4 screws, battery compartment lid, battery compartment seal, screws, battery contacts

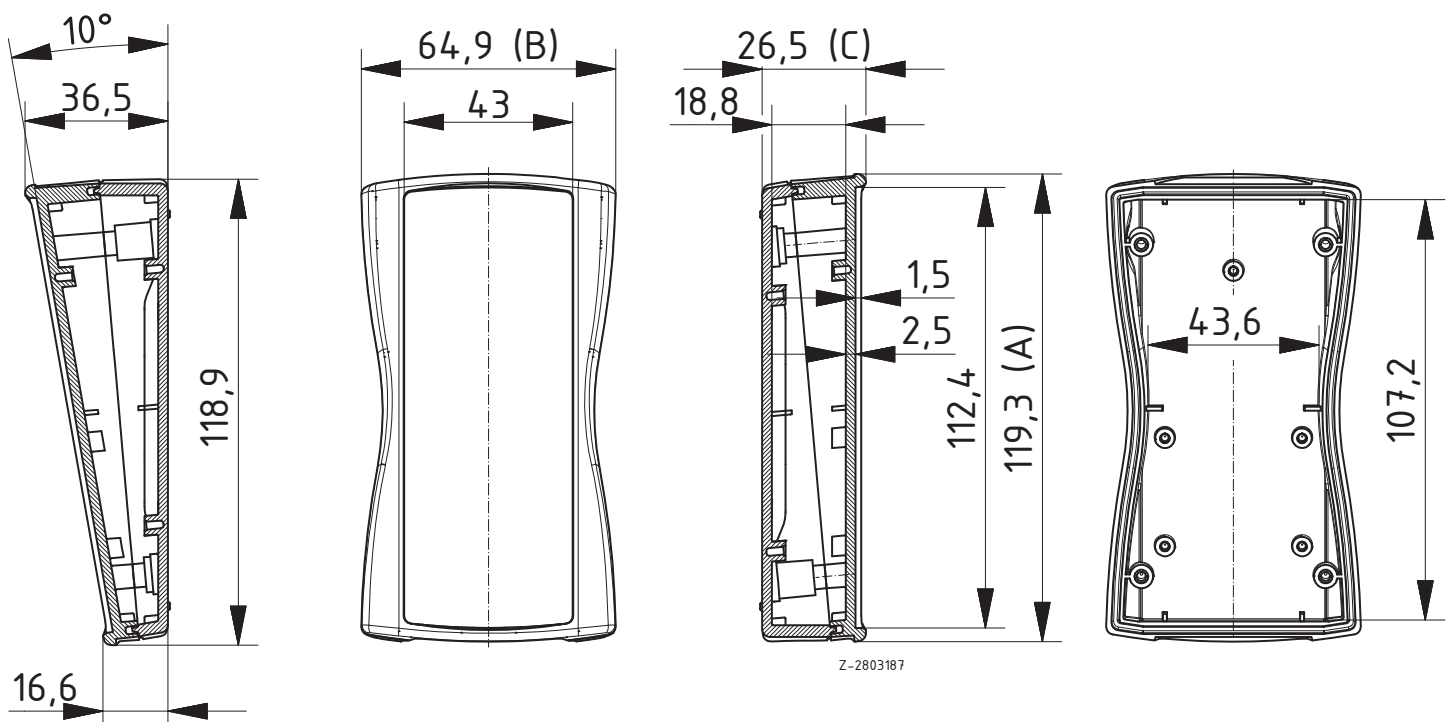
Note: * = Available on request. Upgradable to IP 65 by fitting DI-D.

BOS-Streamline 4..F | with continuous membrane keypad area

BS 404 F with compartment for 3 micro (AAA) batteries, IP 65

Model	Order no.	A	B	C	Colour
BS 404 F-7024	82404124	119,3	64,9	26,5	Graphite grey
BS 404 F-7035	82404135	119,3	64,9	26,5	Light grey
BS 404 F-S	82404100*	119,3	64,9	26,5	Silver

Scope of delivery: Lid and base including seal, 4 screws, battery compartment lid, battery compartment seal, screws, battery contacts



BOS-Streamline 4..DIS | with display screen and membrane keypad area



BS 400 DIS without battery compartment, IP 40 (IP 65)

Model	Order no.	A	B	C	Colour
BS 400 DIS-7024	82400224	119,3	64,9	26,5	Graphite grey
BS 400 DIS-7035	82400235	119,3	64,9	26,5	Light grey
BS 400 DIS-S	82400200*	119,3	64,9	26,5	Silver

Scope of delivery: Lid and base, display screen, adhesive film, 4 screws

Note: * = Available on request. Upgradable to IP 65 by fitting DI-D.



BS 402 DIS without battery compartment, IP 65

Model	Order no.	A	B	C	Colour
BS 402 DIS-7024	82402224	119,3	64,9	26,5	Graphite grey
BS 402 DIS-7035	82402235	119,3	64,9	26,5	Light grey
BS 402 DIS-S	82402200*	119,3	64,9	26,5	Silver

Scope of delivery: Lid and base including seal, display screen, adhesive film, 4 screws



BS 401 DIS with compartment for 3 micro (AAA) batteries, IP 40

Model	Order no.	A	B	C	Colour
BS 401 DIS-7024	82401224	119,3	64,9	26,5	Graphite grey
BS 401 DIS-7035	82401235	119,3	64,9	26,5	Light grey
BS 401 DIS-S	82401200*	119,3	64,9	26,5	Silver

Scope of delivery: Lid and base, display screen, adhesive film, 4 screws, battery compartment lid, screws, battery contacts



BS 403 DIS with compartment for 3 micro (AAA) batteries, IP 40 (IP 65)

Model	Order no.	A	B	C	Colour
BS 403 DIS-7024	82403224	119,3	64,9	26,5	Graphite grey
BS 403 DIS-7035	82403235	119,3	64,9	26,5	Light grey
BS 403 DIS-S	82403200*	119,3	64,9	26,5	Silver

Scope of delivery: Lid and base, display screen, adhesive film, 4 screws, battery compartment lid, battery compartment seal, screws, battery contacts

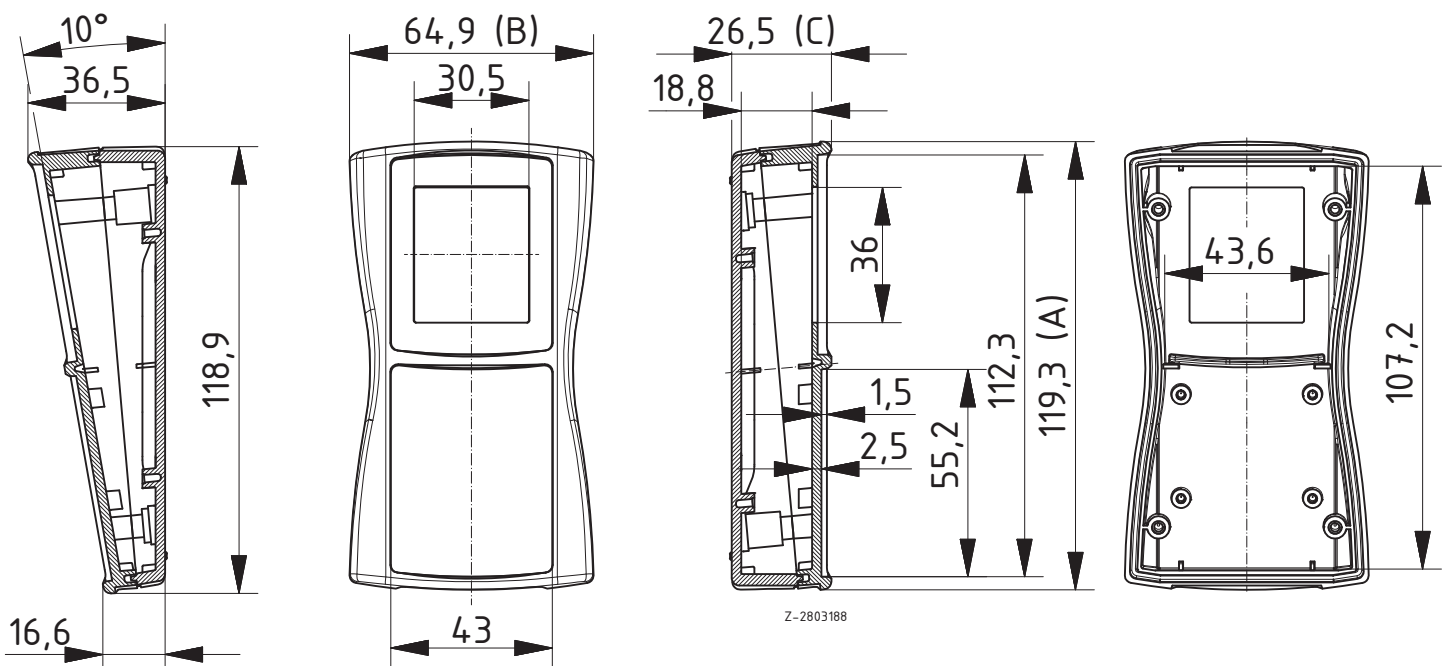
Note: * = Available on request. Upgradable to IP 65 by fitting DI-D.

BOS-Streamline 4..DIS | with display screen and membrane keypad area

BS 404 DIS with compartment for 3 micro (AAA) batteries, IP 65

Model	Order no.	A	B	C	Colour
BS 404 DIS-7024	82404224	119,3	64,9	26,5	Graphite grey
BS 404 DIS-7035	82404235	119,3	64,9	26,5	Light grey
BS 404 DIS-S	82404200*	119,3	64,9	26,5	Silver

Scope of delivery: Lid and base including seal, display screen, adhesive film, 4 screws, battery compartment lid, battery compartment seal, screws, battery contacts



For accessories, please see the end of the chapter

BOS-Streamline 5..F | with continuous membrane keypad area

BS 500 F without battery compartment, IP 40 (IP 65)



Model	Order no.	A	B	C	Colour
BS 500 F-7024	82500124	140,3	72,9	31,3	Graphite grey
BS 500 F-7035	82500135	140,3	72,9	31,3	Light grey
BS 500 F-S	82500100*	140,3	72,9	31,3	Silver

Scope of delivery: Lid and base, 4 screws

Note: * = Available on request. Upgradable to IP 65 by fitting DI-D.

BS 502 F without battery compartment, IP 65



Model	Order no.	A	B	C	Colour
BS 502 F-7024	82502124	140,3	72,9	31,3	Graphite grey
BS 502 F-7035	82502135	140,3	72,9	31,3	Light grey
BS 502 F-S	82502100*	140,3	72,9	31,3	Silver

Scope of delivery: Lid and base including seal, 4 screws

BS 501 F with compartment for 3 micro (AAA) batteries, IP 40



Model	Order no.	A	B	C	Colour
BS 501 F-7024	82501124	140,3	72,9	31,3	Graphite grey
BS 501 F-7035	82501135	140,3	72,9	31,3	Light grey
BS 501 F-S	82501100*	140,3	72,9	31,3	Silver

Scope of delivery: Lid and base, 4 screws, battery compartment lid, screws, battery contacts

BS 503 F with compartment for 3 micro (AAA) batteries, IP 40 (IP 65)



Model	Order no.	A	B	C	Colour
BS 503 F-7024	82503124	140,3	72,9	31,3	Graphite grey
BS 503 F-7035	82503135	140,3	72,9	31,3	Light grey
BS 503 F-S	82503100*	140,3	72,9	31,3	Silver

Scope of delivery: Lid and base, 4 screws, battery compartment lid, battery compartment seal, screws, battery contacts

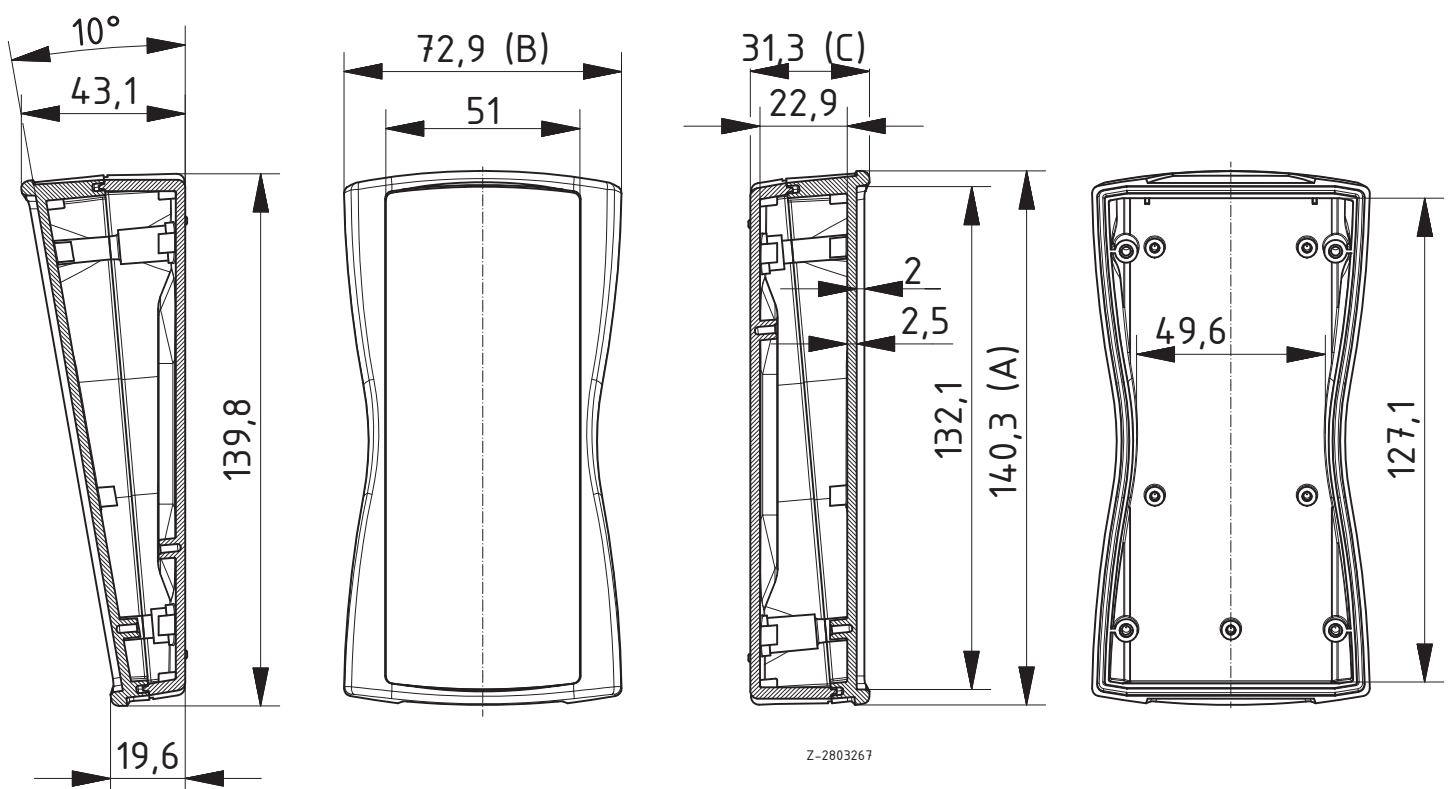
Note: * = Available on request. Upgradable to IP 65 by fitting DI-D.

BOS-Streamline 5..F | with continuous membrane keypad area

BS 504 F with compartment for 3 micro (AAA) batteries, IP 65

Model	Order no.	A	B	C	Colour
BS 504 F-7024	82504124	140,3	72,9	31,3	Graphite grey
BS 504 F-7035	82504135	140,3	72,9	31,3	Light grey
BS 504 F-S	82504100*	140,3	72,9	31,3	Silver

Scope of delivery: Lid and base including seal, 4 screws, battery compartment lid, battery compartment seal, screws, battery contacts



BOS-Streamline 5..DIS | with display screen and membrane keypad area

BS 500 DIS without battery compartment, IP 40 (IP 65)



Model	Order no.	A	B	C	Colour
BS 500 DIS-7024	82500224	140,3	72,9	31,3	Graphite grey
BS 500 DIS-7035	82500235	140,3	72,9	31,3	Light grey
BS 500 DIS-S	82500200*	140,3	72,9	31,3	Silver

Scope of delivery: Lid and base, display screen, adhesive film, 4 screws

Note: * = Available on request. Upgradable to IP 65 by fitting DI-D.

BS 502 DIS without battery compartment, IP 65



Model	Order no.	A	B	C	Colour
BS 502 DIS-7024	82502224	140,3	72,9	31,3	Graphite grey
BS 502 DIS-7035	82502235	140,3	72,9	31,3	Light grey
BS 502 DIS-S	82502200*	140,3	72,9	31,3	Silver

Scope of delivery: Lid and base including seal, display screen, adhesive film, 4 screws

BS 501 DIS with compartment for 3 micro (AAA) batteries, IP 40



Model	Order no.	A	B	C	Colour
BS 501 DIS-7024	82501224	140,3	72,9	31,3	Graphite grey
BS 501 DIS-7035	82501235	140,3	72,9	31,3	Light grey
BS 501 DIS-S	82501200*	140,3	72,9	31,3	Silver

Scope of delivery: Lid and base, display screen, adhesive film, 4 screws, battery compartment lid, screws, battery contacts

BS 503 DIS with compartment for 3 micro (AAA) batteries, IP 40 (IP 65)



Model	Order no.	A	B	C	Colour
BS 503 DIS-7024	82503224	140,3	72,9	31,3	Graphite grey
BS 503 DIS-7035	82503235	140,3	72,9	31,3	Light grey
BS 503 DIS-S	82503200*	140,3	72,9	31,3	Silver

Scope of delivery: Lid and base, display screen, adhesive film, 4 screws, battery compartment lid, battery compartment seal, screws, battery contacts

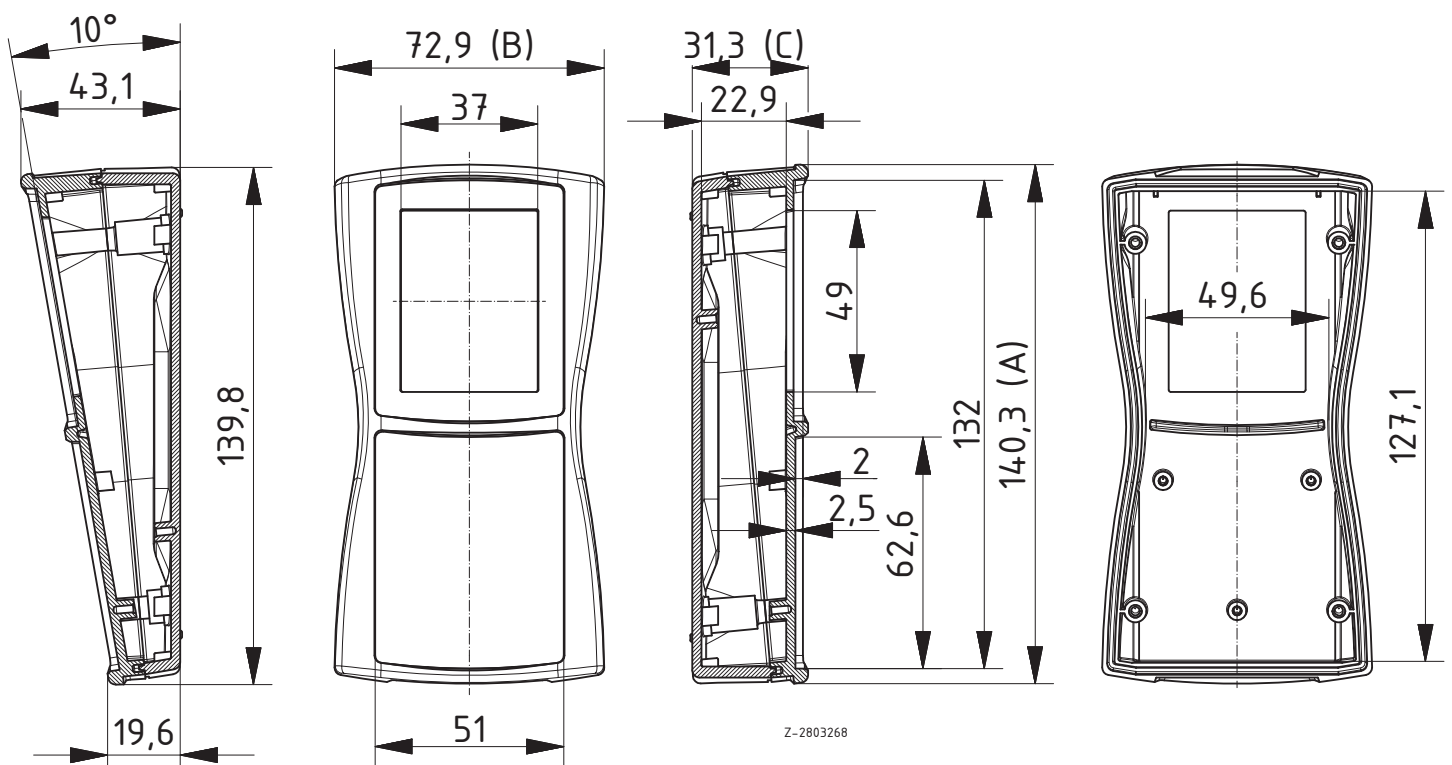
Note: * = Available on request. Upgradable to IP 65 by fitting DI-D.

BOS-Streamline 5..DIS | with display screen and membrane keypad area

BS 504 DIS with compartment for 3 micro (AAA) batteries, IP 65

Model	Order no.	A	B	C	Colour
BS 504 DIS-7024	82504224	140,3	72,9	31,3	Graphite grey
BS 504 DIS-7035	82504235	140,3	72,9	31,3	Light grey
BS 504 DIS-S	82504200*	140,3	72,9	31,3	Silver

Scope of delivery: Lid and base including seal, display screen, adhesive film, 4 screws, battery compartment lid, battery compartment seal, screws, battery contacts



For accessories, please see the end of the chapter

BOS-Streamline 6..F | with continuous membrane keypad area

BS 600 F without battery compartment, IP 40 (IP 65)



Model	Order no.	A	B	C	Colour
BS 600 F-7024	82600124	159,4	77,9	33,5	Graphite grey
BS 600 F-7035	82600135	159,4	77,9	33,5	Light grey
BS 600 F-S	82600100*	159,4	77,9	33,5	Silver

Scope of delivery: Lid and base, 4 screws

Note: * = Available on request. Upgradable to IP 65 by fitting DI-D.

BS 602 F without battery compartment, IP 65



Model	Order no.	A	B	C	Colour
BS 602 F-7024	82602124	159,4	77,9	33,5	Graphite grey
BS 602 F-7035	82602135	159,4	77,9	33,5	Light grey
BS 602 F-S	82602100*	159,4	77,9	33,5	Silver

Scope of delivery: Lid and base including seal, 4 screws

BS 601 F with compartment for 3 mignon (AA) batteries, IP 40



Model	Order no.	A	B	C	Colour
BS 601 F-7024	82601124	159,4	77,9	33,5	Graphite grey
BS 601 F-7035	82601135	159,4	77,9	33,5	Light grey
BS 601 F-S	82601100*	159,4	77,9	33,5	Silver

Scope of delivery: Lid and base, 4 screws, battery compartment lid, screws, battery contacts

BS 603 F with compartment for 3 mignon (AA) batteries, IP 40 (IP 65)



Model	Order no.	A	B	C	Colour
BS 603 F-7024	82603124	159,4	77,9	33,5	Graphite grey
BS 603 F-7035	82603135	159,4	77,9	33,5	Light grey
BS 603 F-S	82603100*	159,4	77,9	33,5	Silver

Scope of delivery: Lid and base, 4 screws, battery compartment lid, battery compartment seal, screws, battery contacts

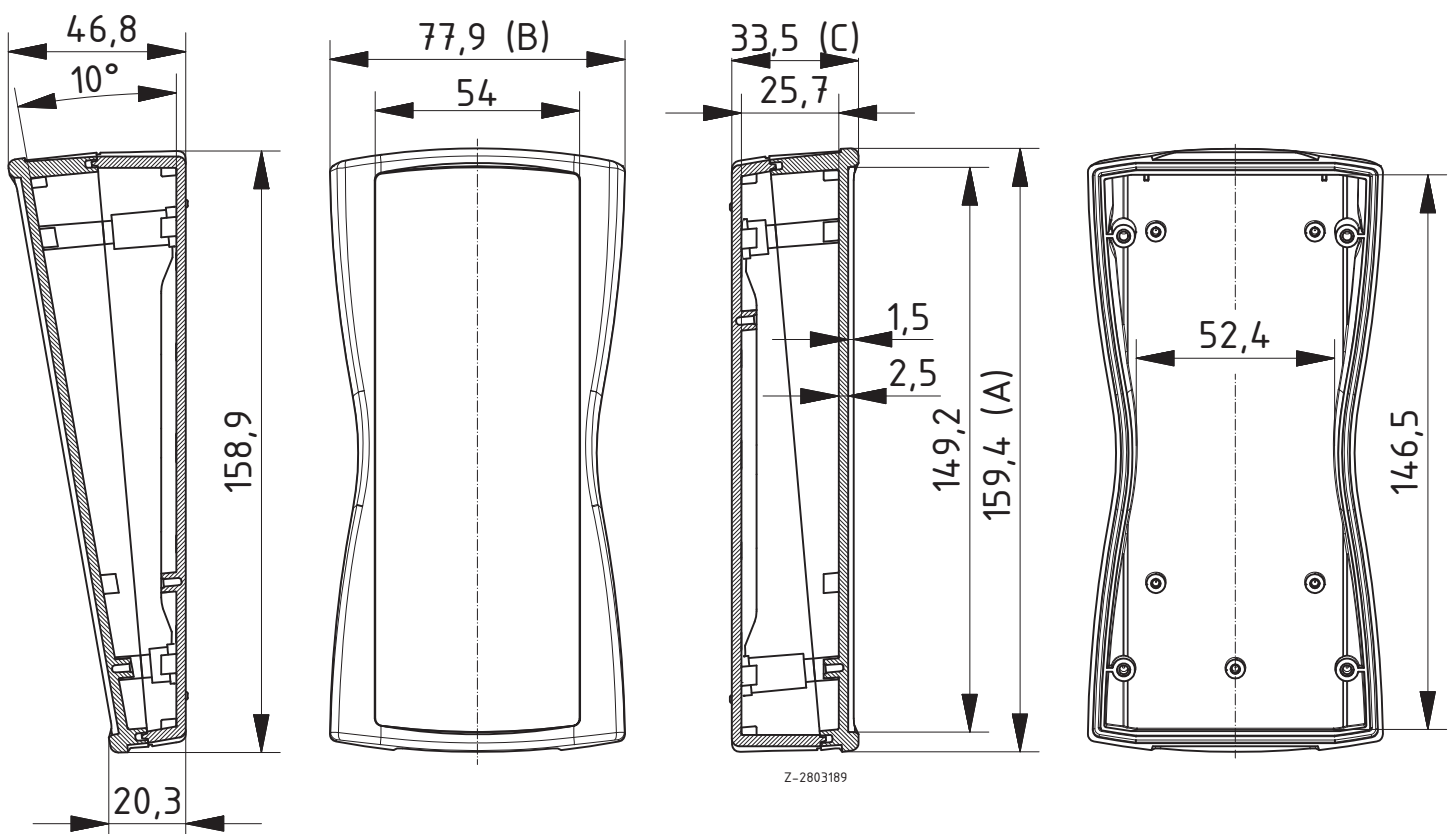
Note: * = Available on request. Upgradable to IP 65 by fitting DI-D.

BOS-Streamline 6..F | with continuous membrane keypad area

BS 604 F with compartment for 3 mignon (AA) batteries, IP 65

Model	Order no.	A	B	C	Colour
BS 604 F-7024	82604124	159,4	77,9	35,5	Graphite grey
BS 604 F-7035	82604135	159,4	77,9	33,5	Light grey
BS 604 F-S	82604100*	159,4	77,9	33,5	Silver

Scope of delivery: Lid and base including seal, 4 screws, battery compartment lid, battery compartment seal, screws, battery contacts



BOS-Streamline 6..DIS | with display screen and membrane keypad area

BS 600 DIS without battery compartment, IP 40 (IP 65)



Model	Order no.	A	B	C	Colour
BS 600 DIS-7024	82600224	159,4	77,9	33,5	Graphite grey
BS 600 DIS-7035	82600235	159,4	77,9	33,5	Light grey
BS 600 DIS-S	82600200*	159,4	77,9	33,5	Silver

Scope of delivery: Lid and base, display screen, adhesive film, 4 screws

Note: * = Available on request. Upgradable to IP 65 by fitting DI-D.

BS 602 DIS without battery compartment, IP 65



Model	Order no.	A	B	C	Colour
BS 602 DIS-7024	82602224	159,4	77,9	33,5	Graphite grey
BS 602 DIS-7035	82602235	159,4	77,9	33,5	Light grey
BS 602 DIS-S	82602200*	159,4	77,9	33,5	Silver

Scope of delivery: Lid and base including seal, display screen, adhesive film, 4 screws

BS 601 DIS with compartment for 3 mignon (AA) batteries, IP 40



Model	Order no.	A	B	C	Colour
BS 601 DIS-7024	82601224	159,4	77,9	33,5	Graphite grey
BS 601 DIS-7035	82601235	159,4	77,9	33,5	Light grey
BS 601 DIS-S	82601200*	159,4	77,9	33,5	Silver

Scope of delivery: Lid and base, display screen, adhesive film, 4 screws, battery compartment lid, screws, battery contacts

BS 603 DIS with compartment for 3 mignon (AA) batteries, IP 40 (IP 65)



Model	Order no.	A	B	C	Colour
BS 603 DIS-7024	82603224	159,4	77,9	33,5	Graphite grey
BS 603 DIS-7035	82603235	159,4	77,9	33,5	Light grey
BS 603 DIS-S	82603200*	159,4	77,9	33,5	Silver

Scope of delivery: Lid and base, display screen, adhesive film, 4 screws, battery compartment lid, battery compartment seal, screws, battery contacts

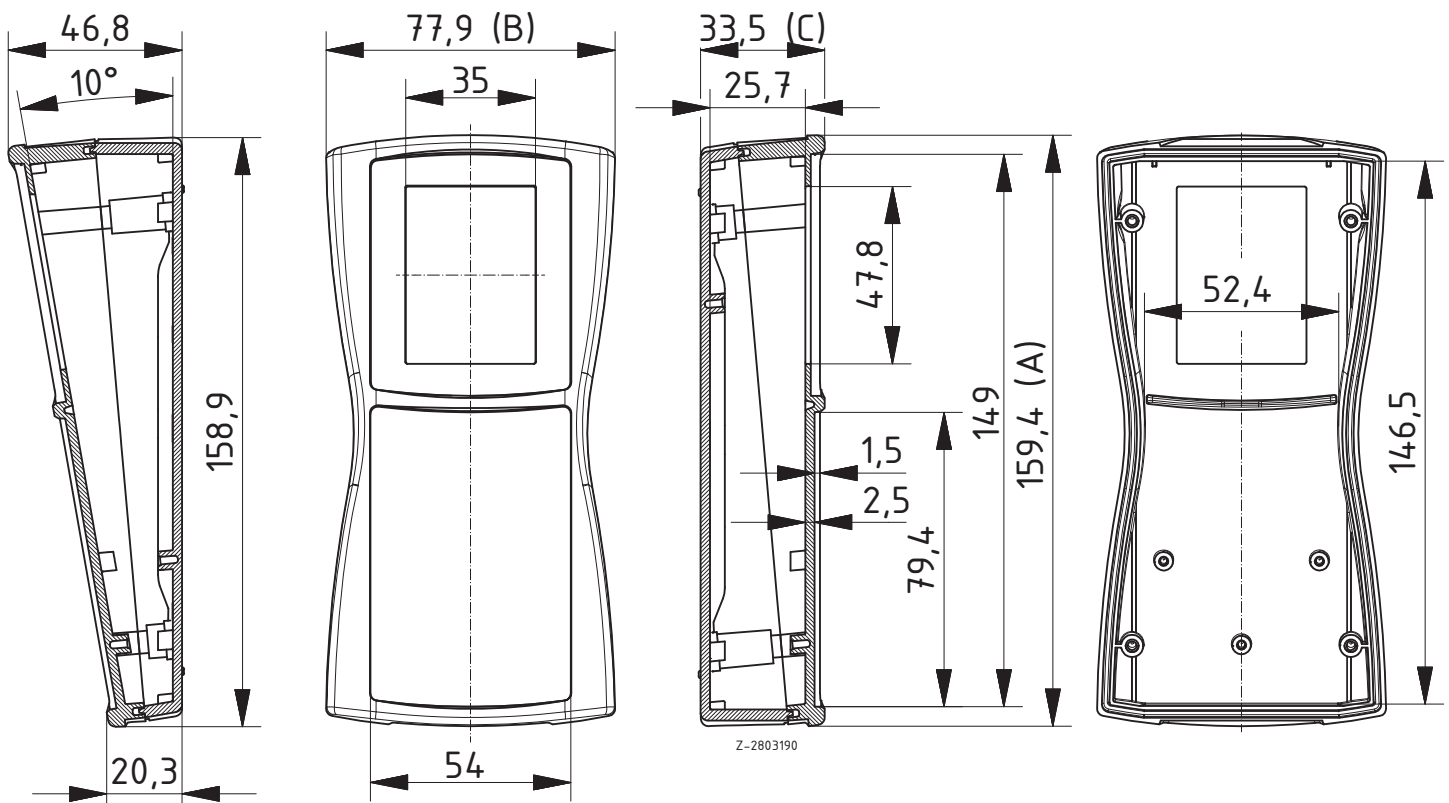
Note: * = Available on request. Upgradable to IP 65 by fitting DI-D.

BOS-Streamline 6..DIS | with display screen and membrane keypad area

BS 604 DIS with compartment for 3 mignon (AA) batteries, IP 65

Model	Order no.	A	B	C	Colour
BS 604 DIS-7024	82604224	159,4	77,9	33,5	Graphite grey
BS 604 DIS-7035	82604235	159,4	77,9	33,5	Light grey
BS 604 DIS-S	82604200*	159,4	77,9	33,5	Silver

Scope of delivery: Lid and base including seal, display screen, adhesive film, 4 screws, battery compartment lid, battery compartment seal, screws, battery contacts



For accessories, please see the end of the chapter

BOS-Streamline 7..F | with continuous membrane keypad area

BS 700 F without battery compartment, IP 40 (IP 65)



Model	Order no.	A	B	C	Colour
BS 700 F-7024	82700124	184,3	93	35,4	Graphite grey
BS 700 F-7035	82700135	184,3	93	35,4	Light grey
BS 700 F-S	82700100*	184,3	93	35,4	Silver

Scope of delivery: Lid and base, 4 screws

Note: * = Available on request. Upgradable to IP 65 by fitting DI-D.

BS 702 F without battery compartment, IP 65



Model	Order no.	A	B	C	Colour
BS 702 F-7024	82702124	184,3	93	35,4	Graphite grey
BS 702 F-7035	82702135	184,3	93	35,4	Light grey
BS 702 F-S	82702100*	184,3	93	35,4	Silver

Scope of delivery: Lid and base including seal, 4 screws

BS 701 F with compartment for 4 mignon (AA) batteries, IP 40



Model	Order no.	A	B	C	Colour
BS 701 F-7024	82701124	184,3	93	35,4	Graphite grey
BS 701 F-7035	82701135	184,3	93	35,4	Light grey
BS 701 F-S	82701100*	184,3	93	35,4	Silver

Scope of delivery: Lid and base, 4 screws, battery compartment lid, screws, battery contacts

BOS-Streamline 7..F | with continuous membrane keypad area

BS 703 F with compartment for 4 mignon (AA) batteries, IP 40 (IP 65)

Model	Order no.	A	B	C	Colour
BS 703 F-7024	82703124	184,3	93	35,4	Graphite grey
BS 703 F-7035	82703135	184,3	93	35,4	Light grey
BS 703 F-S	82703100*	184,3	93	35,4	Silver

Scope of delivery: Lid and base, 4 screws, battery compartment lid, battery compartment seal, screws, battery contacts

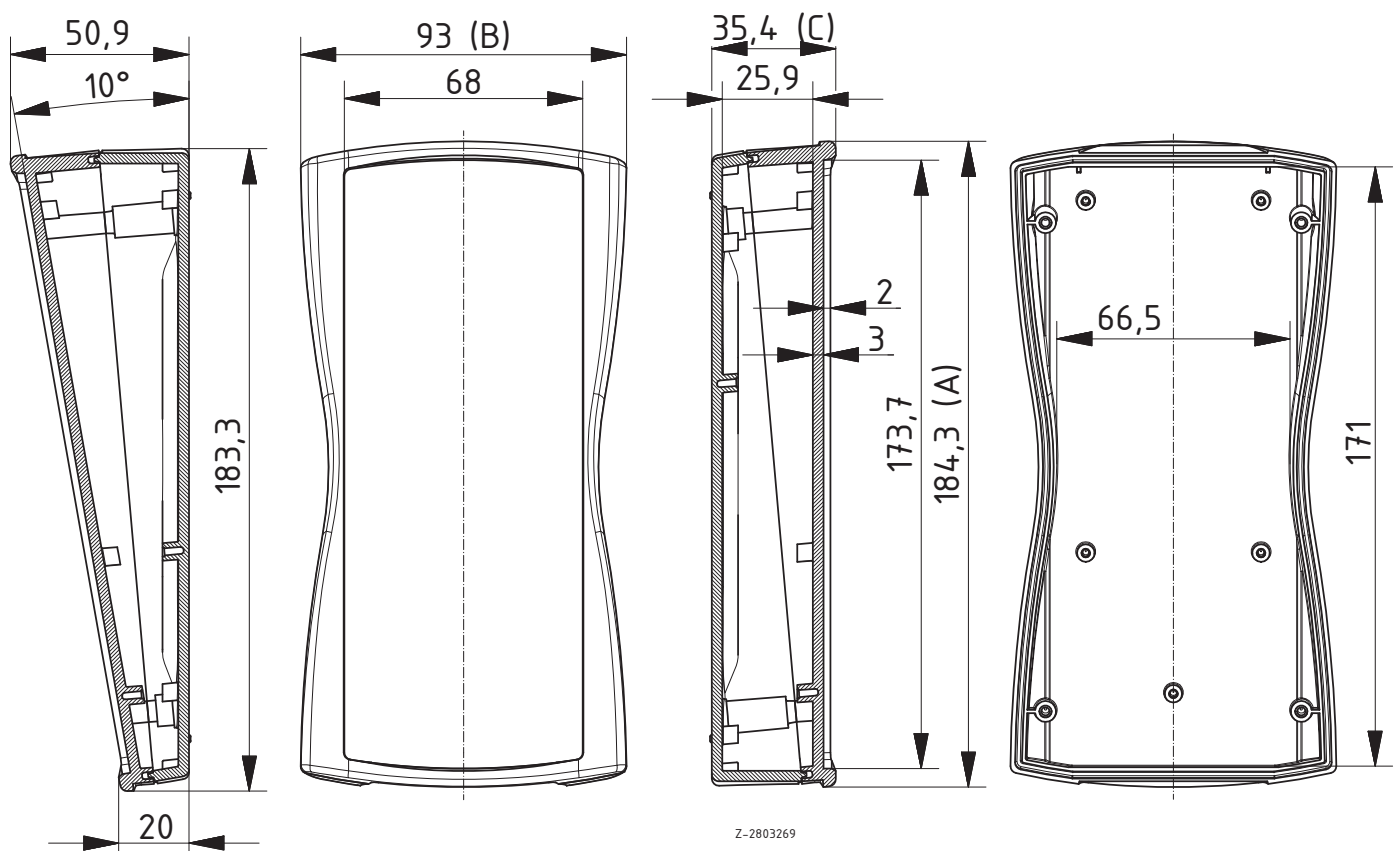
Note: * = Available on request. Upgradable to IP 65 by fitting DI-D.



BS 704 F with compartment for 4 mignon (AA) batteries, IP 65

Model	Order no.	A	B	C	Colour
BS 704 F-7024	82704124	184,3	93	35,4	Graphite grey
BS 704 F-7035	82704135	184,3	93	35,4	Light grey
BS 704 F-S	82704100*	184,3	93	35,4	Silver

Scope of delivery: Lid and base including seal, 4 screws, battery compartment lid, battery compartment seal, screws, battery contacts



BOS-Streamline 7..DIS | with display screen and membrane keypad area

BS 700 DIS without battery compartment, IP 40 (IP 65)



Model	Order no.	A	B	C	Colour
BS 700 DIS-7024	82700224	184,3	93	35,4	Graphite grey
BS 700 DIS-7035	82700235	184,3	93	35,4	Light grey
BS 700 DIS-S	82700200*	184,3	93	35,4	Silver

Scope of delivery: Lid and base, display screen, adhesive film, 4 screws

Note: * = Available on request. Upgradable to IP 65 by fitting DI-D.

BS 702 DIS without battery compartment, IP 65



Model	Order no.	A	B	C	Colour
BS 702 DIS-7024	82702224	184,3	93	35,4	Graphite grey
BS 702 DIS-7035	82702235	184,3	93	35,4	Light grey
BS 702 DIS-S	82702200*	184,3	93	35,4	Silver

Scope of delivery: Lid and base including seal, display screen, adhesive film, 4 screws

BS 701 DIS with compartment for 4 mignon (AA) batteries, IP 40



Model	Order no.	A	B	C	Colour
BS 701 DIS-7024	82701224	184,3	93	35,4	Graphite grey
BS 701 DIS-7035	82701235	184,3	93	35,4	Light grey
BS 701 DIS-S	82701200*	184,3	93	35,4	Silver

Scope of delivery: Lid and base, display screen, adhesive film, 4 screws, battery compartment lid, screws, battery contacts

BOS-Streamline 7..DIS | with display screen and membrane keypad area

BS 703 DIS with compartment for 4 mignon (AA) batteries, IP 40 (IP 65)

Model	Order no.	A	B	C	Colour
BS 703 DIS-7024	82703224	184,3	93	35,4	Graphite grey
BS 703 DIS-7035	82703235	184,3	93	35,4	Light grey
BS 703 DIS-S	82703200*	184,3	93	35,4	Silver

Scope of delivery: Lid and base, display screen, adhesive film, 4 screws, battery compartment lid, battery compartment seal, screws, battery contacts

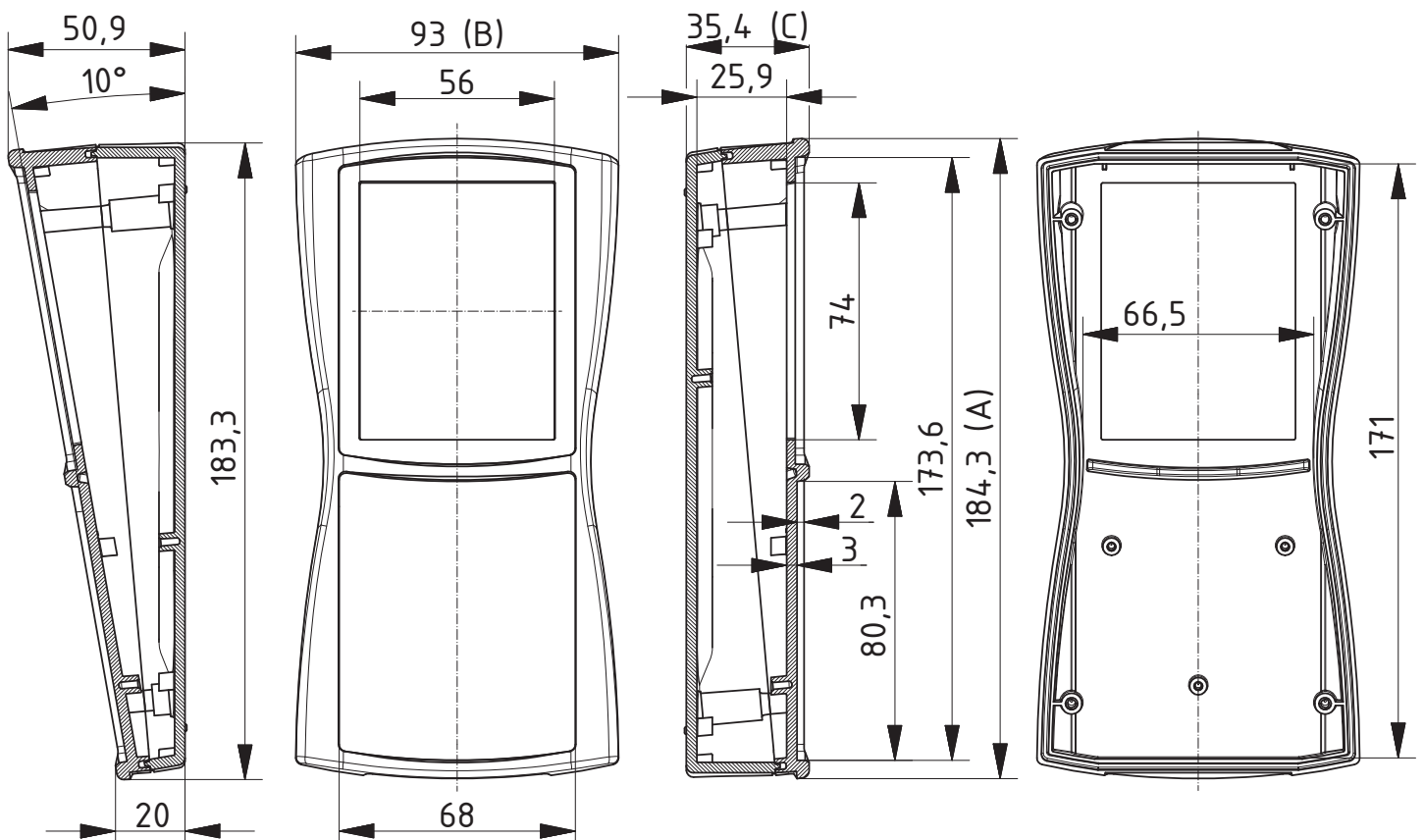
Note: * = Available on request. Upgradable to IP 65 by fitting DI-D.



BS 704 DIS with compartment for 4 mignon (AA) batteries, IP 65

Model	Order no.	A	B	C	Colour
BS 704 DIS-7024	82704224	184,3	93	35,4	Graphite grey
BS 704 DIS-7035	82704235	184,3	93	35,4	Light grey
BS 704 DIS-S	82704200*	184,3	93	35,4	Silver

Scope of delivery: Lid and base including seal, display screen, adhesive film, 4 screws, battery compartment lid, battery compartment seal, screws, battery contacts



Z-2803270

For accessories, please see the end of the chapter

BOS-Streamline 8..F | with continuous membrane keypad area

BS 800 F without battery compartment, IP 40 (IP 65)



Model	Order no.	A	B	C	Colour
BS 800 F-7024	82800124	209,3	98	34,8	Graphite grey
BS 800 F-7035	82800135	209,3	98	34,8	Light grey
BS 800 F-S	82800100*	209,3	98	34,8	Silver

Scope of delivery: Lid and base, 4 screws

Note: * = Available on request. Upgradable to IP 65 by fitting DI-D.

BS 802 F without battery compartment, IP 65



Model	Order no.	A	B	C	Colour
BS 802 F-7024	82802124	209,3	98	34,8	Graphite grey
BS 802 F-7035	82802135	209,3	98	34,8	Light grey
BS 802 F-S	82802100*	209,3	98	34,8	Silver

Scope of delivery: Lid and base including seal, 4 screws

BS 801 F with compartment for 4 mignon (AA) batteries, IP 40



Model	Order no.	A	B	C	Colour
BS 801 F-7024	82801124	209,3	98	34,8	Graphite grey
BS 801 F-7035	82801135	209,3	98	34,8	Light grey
BS 801 F-S	82801100*	209,3	98	34,8	Silver

Scope of delivery: Lid and base, 4 screws, battery compartment lid, screws, battery contacts

BS 803 F with compartment for 4 mignon (AA) batteries, IP 40 (IP 65)



Model	Order no.	A	B	C	Colour
BS 803 F-7024	82803124	209,3	98	34,8	Graphite grey
BS 803 F-7035	82803135	209,3	98	34,8	Light grey
BS 803 F-S	82803100*	209,3	98	34,8	Silver

Scope of delivery: Lid and base, 4 screws, battery compartment lid, battery compartment seal, screws, battery contacts

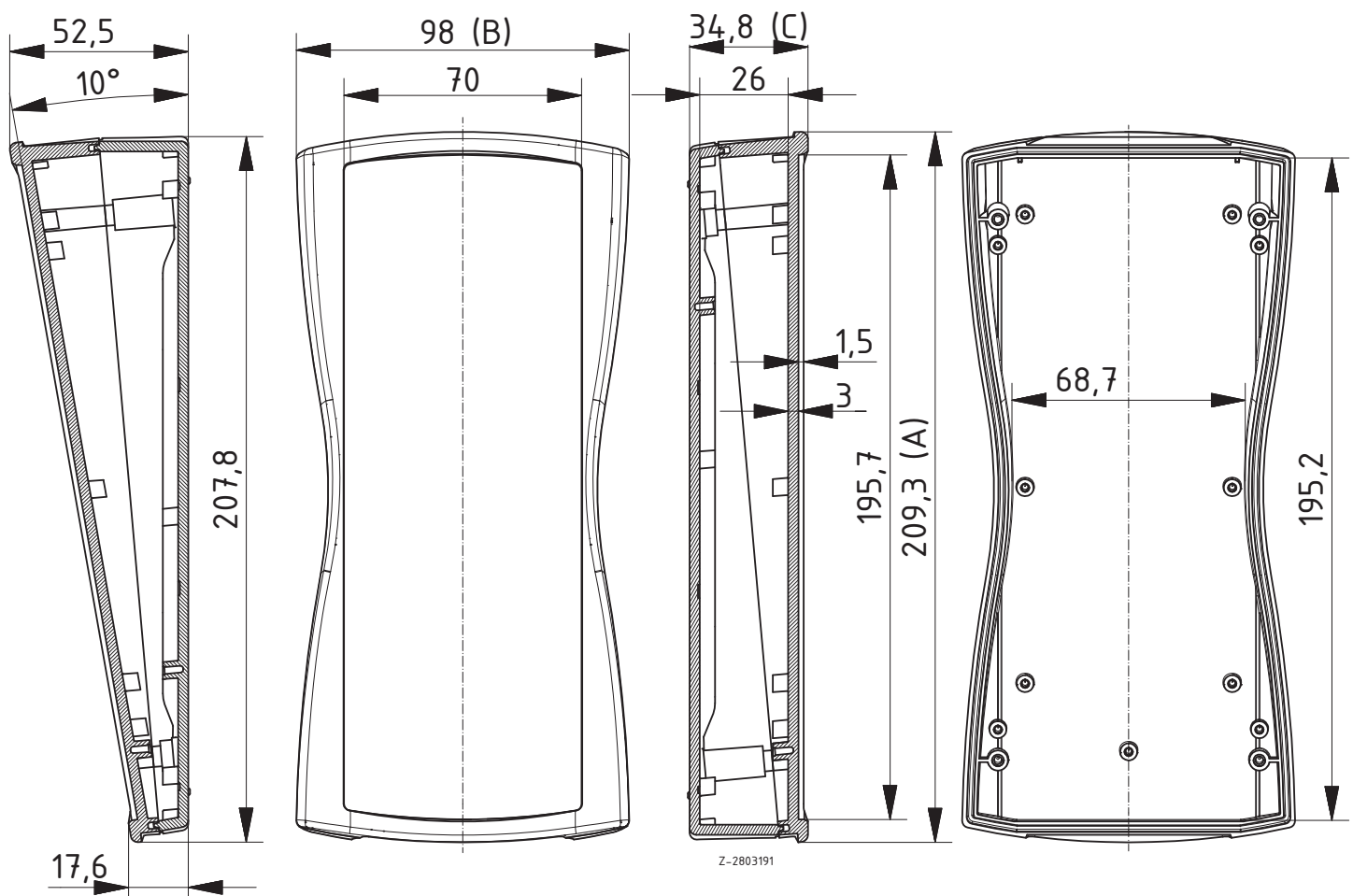
Note: * = Available on request. Upgradable to IP 65 by fitting DI-D.

BOS-Streamline 8..F | with continuous membrane keypad area

BS 804 F with compartment for 4 mignon (AA) batteries, IP 65

Model	Order no.	A	B	C	Colour
BS 804 F-7024	82804124	209,3	98	34,8	Graphite grey
BS 804 F-7035	82804135	209,3	98	34,8	Light grey
BS 804 F-S	82804100*	209,3	98	34,8	Silver

Scope of delivery: Lid and base including seal, 4 screws, battery compartment lid, battery compartment seal, screws, battery contacts



BOS-Streamline 8..DIS | with display screen and membrane keypad area



BS 800 DIS without battery compartment, IP 40 (IP 65)

Model	Order no.	A	B	C	Colour
BS 800 DIS-7024	82800224	209,3	98	34,8	Graphite grey
BS 800 DIS-7035	82800235	209,3	98	34,8	Light grey
BS 800 DIS-S	82800200*	209,3	98	34,8	Silver

Scope of delivery: Lid and base, display screen, adhesive film, 4 screws

Note: * = Available on request. Upgradable to IP 65 by fitting DI-D.



BS 802 DIS without battery compartment, IP 65

Model	Order no.	A	B	C	Colour
BS 802 DIS-7024	82802224	209,3	98	34,8	Graphite grey
BS 802 DIS-7035	82802235	209,3	98	34,8	Light grey
BS 802 DIS-S	82802200*	209,3	98	34,8	Silver

Scope of delivery: Lid and base including seal, display screen, adhesive film, 4 screws



BS 801 DIS with compartment for 4 mignon (AA) batteries, IP 40

Model	Order no.	A	B	C	Colour
BS 801 DIS-7024	82801224	209,3	98	34,8	Graphite grey
BS 801 DIS-7035	82801235	209,3	98	34,8	Light grey
BS 801 DIS-S	82801200*	209,3	98	34,8	Silver

Scope of delivery: Lid and base, display screen, adhesive film, 4 screws, battery compartment lid, screws, battery contacts



BS 803 DIS with compartment for 4 mignon (AA) batteries, IP 40 (IP 65)

Model	Order no.	A	B	C	Colour
BS 803 DIS-7024	82803224	209,3	98	34,8	Graphite grey
BS 803 DIS-7035	82803235	209,3	98	34,8	Light grey
BS 803 DIS-S	82803200*	209,3	98	34,8	Silver

Scope of delivery: Lid and base, display screen, adhesive film, 4 screws, battery compartment lid, battery compartment seal, screws, battery contacts

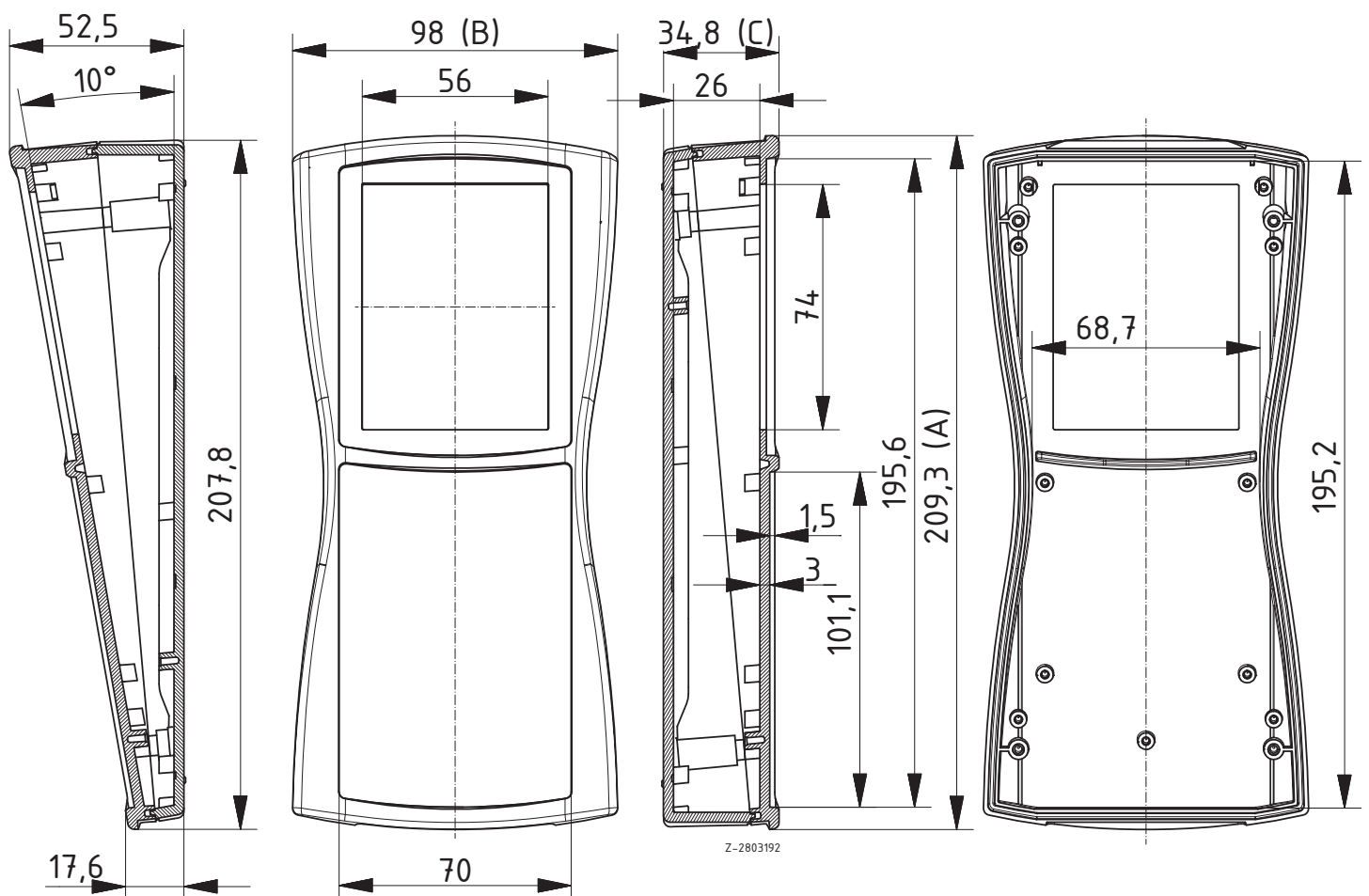
Note: * = Available on request. Upgradable to IP 65 by fitting DI-D.

BOS-Streamline 8..DIS | with display screen and membrane keypad area

BS 804 DIS with compartment for 4 mignon (AA) batteries, IP 65

Model	Order no.	A	B	C	Colour
BS 804 DIS-7024	82804224	209,3	98	34,8	Graphite grey
BS 804 DIS-7035	82804235	209,3	98	34,8	Light grey
BS 804 DIS-S	82804200*	209,3	98	34,8	Silver

Scope of delivery: Lid and base including seal, display screen, adhesive film, 4 screws, battery compartment lid, battery compartment seal, screws, battery contacts



For accessories, please see the end of the chapter

BOS-Streamline | accessories



Decor seals

Model	Order no.	Colour	Note
BS 200 DI-D-1003	82821003	Signal yellow	For BS 200
BS 200 DI-D-3001	82823001	Signal red	For BS 200
BS 200 DI-D-5005	82825005	Signal blue	For BS 200
BS 200 DI-D-6032	82826032	Signal green	For BS 200
BS 200 DI-D-7024	82827024	Graphite grey	For BS 200
BS 400 DI-D-1003	82841003	Signal yellow	For BS 400
BS 400 DI-D-3001	82843001	Signal red	For BS 400
BS 400 DI-D-5005	82845005	Signal blue	For BS 400
BS 400 DI-D-6032	82846032	Signal green	For BS 400
BS 400 DI-D-7024	82847024	Graphite grey	For BS 400
BS 500 DI-D-1003	82851003	Signal yellow	For BS 500
BS 500 DI-D-3001	82853001	Signal red	For BS 500
BS 500 DI-D-5005	82855005	Signal blue	For BS 500
BS 500 DI-D-6032	82856032	Signal green	For BS 500
BS 500 DI-D-7024	82857024	Graphite grey	For BS 500
BS 600 DI-D-1003	82861003	Signal yellow	For BS 600
BS 600 DI-D-3001	82863001	Signal red	For BS 600
BS 600 DI-D-5005	82865005	Signal blue	For BS 600
BS 600 DI-D-6032	82866032	Signal green	For BS 600
BS 600 DI-D-7024	82867024	Graphite grey	For BS 600
BS 700 DI-D-1003	82871003	Signal yellow	For BS 700
BS 700 DI-D-3001	82873001	Signal red	For BS 700
BS 700 DI-D-5005	82875005	Signal blue	For BS 700
BS 700 DI-D-6032	82876032	Signal green	For BS 700
BS 700 DI-D-7024	82877024	Graphite grey	For BS 700
BS 800 DI-D-1003	82881003	Signal yellow	For BS 800
BS 800 DI-D-3001	82883001	Signal red	For BS 800
BS 800 DI-D-5005	82885005	Signal blue	For BS 800
BS 800 DI-D-6032	82886032	Signal green	For BS 800
BS 800 DI-D-7024	82887024	Graphite grey	For BS 800

Scope of delivery: Decor seal, 4 screws; BS 200 DI-D-... 1 screw

Note: Not for use with BS .02 and BS .04.



Decor seals for loop for attaching lanyard

Model	Order no.	Colour	Note
BS 500 DI-D-1003-LO	82851103	Signal yellow	For BS 500
BS 500 DI-D-3001-LO	82853101	Signal red	For BS 500
BS 500 DI-D-5005-LO	82855105	Signal blue	For BS 500
BS 500 DI-D-6032-LO	82856132	Signal green	For BS 500
BS 500 DI-D-7024-LO	82857124	Graphite grey	For BS 500
BS 500 DI-D-1003-LU	82851203	Signal yellow	For BS 500
BS 500 DI-D-3001-LU	82853201	Signal red	For BS 500
BS 500 DI-D-5005-LU	82855205	Signal blue	For BS 500
BS 500 DI-D-6032-LU	82856232	Signal green	For BS 500
BS 500 DI-D-7024-LU	82857224	Graphite grey	For BS 500

Scope of delivery: Seal with bracket up or down, 4 screws

Note: LO = bracket up, LU = bracket down. Not for use with BS 502 and BS 504.