



Chipsmall Limited consists of a professional team with an average of over 10 year of expertise in the distribution of electronic components. Based in Hongkong, we have already established firm and mutual-benefit business relationships with customers from,Europe,America and south Asia,supplying obsolete and hard-to-find components to meet their specific needs.

With the principle of “Quality Parts,Customers Priority,Honest Operation,and Considerate Service”,our business mainly focus on the distribution of electronic components. Line cards we deal with include Microchip,ALPS,ROHM,Xilinx,Pulse,ON,Everlight and Freescale. Main products comprise IC,Modules,Potentiometer,IC Socket,Relay,Connector.Our parts cover such applications as commercial,industrial, and automotives areas.

We are looking forward to setting up business relationship with you and hope to provide you with the best service and solution. Let us make a better world for our industry!



## Contact us

Tel: +86-755-8981 8866 Fax: +86-755-8427 6832

Email & Skype: info@chipsmall.com Web: www.chipsmall.com

Address: A1208, Overseas Decoration Building, #122 Zhenhua RD., Futian, Shenzhen, China



## One-pole IEC Class II surge arresters for TN and TT systems

RoHS



Remote contact signaling available

easyID™ local visual status indication

### Catalog symbols:

- BSPM\_TN
- BSPM\_TNR
- BSPG\_NPE
- BSPG\_NPER

### Description:

Eaton's Bussmann™ series one-pole IEC Class II modular surge arresters for TN and TT systems feature local *easyID*™ visual status indication and optional remote contact signaling. The unique module locking system fixes the protection module to the base. Modules can be easily replaced without tools by simply depressing the release buttons. Integrated mechanical coding between the base and protection module ensures against installing an incorrect replacement module.

### TN system arresters

The features of these single-pole devices are for use as a single device or in combination with other devices.

### TT System Arrester

Provides a current arresting means between neutral conductor and protective conductor in TT systems, this device helps ensure fulfilling the requirements for protection of personnel and equipment in "3+1" and "1+1" circuits.

### Optional remote contact signaling

The three-pole terminal remote contact signaling option has a floating changeover contact for use as a break or make contact, according to circuit concept.

### Specifications:

#### System volts

- 275
- 320
- 385
- 440
- 600

#### Systems types

- TN
- TT

#### Agency information

- CE
- CSA (420V, 500V TT/TN and 585V TN systems)
- KEMA
- RoHS compliant

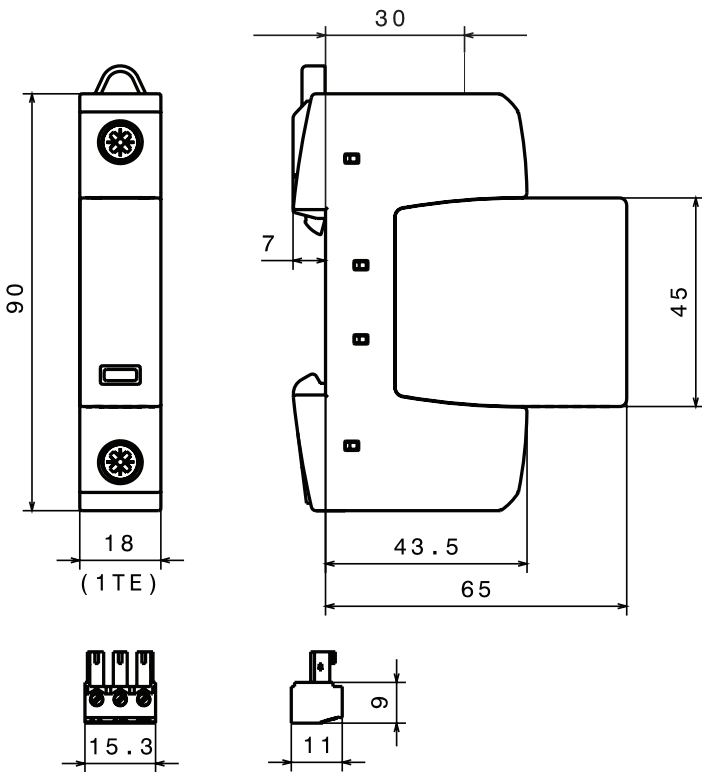
#### Mounting

- 35mm DIN-Rail

#### Warranty

- Five years

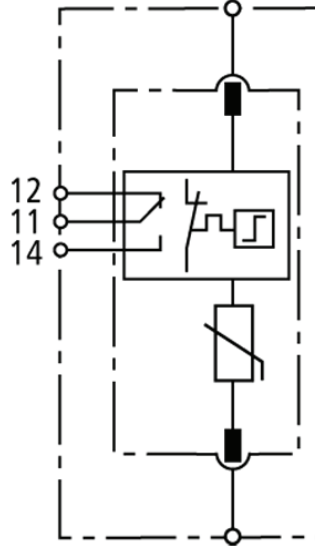
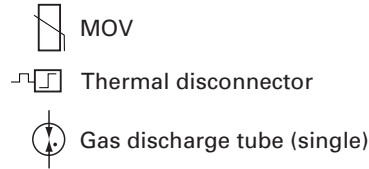
**Dimensions - mm:**



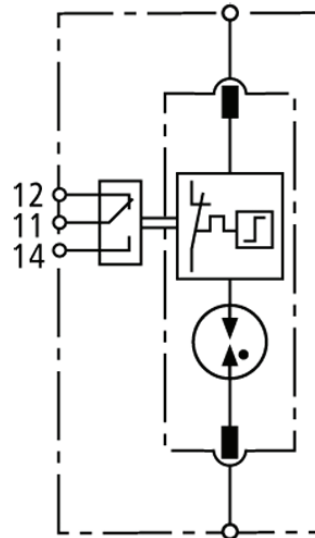
Shown with optional remote contact signaling.

**Module circuit diagrams:**

Shown with optional remote contact signaling



BSPM1275TN(R)  
BSPM1320TN(R)  
BSPM1385TN(R)  
BSPM1440TN(R)  
BSPM1600TN(R)



BSPG1255NPE(R)

**Ordering information:**

System voltage (50-60Hz) / poles		230V/1	230V/1	230V/1	400V/1	480V/1	230V/1*
Max. Continuous Operating Voltage (MCOV) [U <sub>c</sub> ] AC (50-60Hz)		275V	320V	385V	440V	600V	255V
Catalog numbers (base + modules)	W/O remote signaling	BSPM1275TN	BSPM1320TN	BSPM1385TN	BSPM1440TN	BSPM1600TN	BSPG1255NPE
	W/ remote signaling	BSPM1275TNR	BSPM1320TNR	BSPM1385TNR	BSPM1440TNR	BSPM1600TNR	BSPG1255NPER
Replacement modules		BPM275IEC	BPM320IEC	BPM385IEC	BPM440IEC	BPM600IEC	BPG255NPE

Specifications							
Line system type		TN / TT	TN / TT	TN / TT	TN	TN	TT
Max. continuous operating DC voltage [U <sub>c</sub> ]		350V	420V	500V	585V	600V	—
Voltage protection level [U <sub>p</sub> ]		≤ 1.5kV	≤ 1.5kV	≤ 1.75kV	≤ 2kV	≤ 2.5kV	≤ 1.5kV
	at 5kA	≤ 1kV	≤ 1.2kV	≤ 1.35kV	≤ 1.7kV	≤ 2kV	—
Max. mains-side overcurrent protection		125A gG	125A gG	125A gG	125A gG	100A gG	—
Short-circuit withstand capability for max. mains-side overcurrent protection (I <sub>SCCR</sub> )		50kA <sub>rms</sub>	25kA <sub>rms</sub>	25kA <sub>rms</sub>	25kA <sub>rms</sub>	25kA <sub>rms</sub>	—
Temporary Overvoltage (TOV) [U <sub>t</sub> ]	Withstand	335V / 5 sec.	335V / 5 sec.	440V / 120 min.	580V / 5 sec.	700V / 5 sec.	1200V / 200 ms
	Safe failure	440V / 120 min.	440V / 120 min.	—	765V / 120 min.	915V / 120 min.	—
Response time [t <sub>a</sub> ]		≤ 25 ns	≤ 25 ns	≤ 25 ns	≤ 25 ns	≤ 25 ns	≤ 100 ns
Follow current extinguishing capability [I <sub>f</sub> ]		—	—	—	—	—	100A <sub>rms</sub>
Lightning impulse current (10/350μs) [I <sub>imp</sub> ]		—	—	—	—	—	12kA
Nominal discharge current (8/20μs) [I <sub>n</sub> ]		20kA	20kA	20kA	20kA	15kA	20kA
Max. Discharge current (8/20μs) [I <sub>max</sub> ]		40kA	40kA	40kA	40kA	30kA	40kA
Agency information		KEMA	KEMA, CSA	KEMA, CSA	KEMA, CSA	KEMA, CSA	KEMA
Capacity		1 mod., DIN 43880					
SPD according to		EN 61643-11 Type 2, IEC 61643-11 Class II					
Operating environment [T <sub>U</sub> ]		-40°C to +80°C, 5% to 95% RH					
Operating state/fault indication		Green (good) / Red (replace)					
Number of ports		1					
Cross-sectional area	Min.	1.5mm <sup>2</sup> /14AWG solid/flexible					
	Max.	35mm <sup>2</sup> /2AWG stranded — 25mm <sup>2</sup> /4AWG flexible					
Mounting		35mm DIN-Rail per EN 60715					
Enclosure material		Thermoplastic, UL 94V0					
Location category		Indoor					
Degree of protection		IP20					
Product warranty		Five years**					

Remote contact signaling		
Contact signaling type	Changeover contact	
Switching capacity (volts/amperes)	AC	250V/0.5A
	DC	250V/0.1A; 125V/0.2A; 75V/0.5A
Conductor ratings and cross-sectional area		60/75°C max. 1.5mm <sup>2</sup> /14AWG solid/flexible
Ordering information		Order from catalog numbers above

\* N-PE surge arrester for location between neutral conductor and protective conductor in TT systems.

\*\* See Eaton Bussmann series SPD limited warranty statement (3A1502) for details at [www.cooperbussmann.com/surge](http://www.cooperbussmann.com/surge).

**Recommended Bussmann series back up fuses**

DIN fuse size	TT / TN system NH fuse catalog numbers	
	275, 320, 385, 440V	600V
00	125NHG00B	100NHG00B-690
0	125NHG0B	—
01	125NHG01B	—
1	125NHG1B	100NHG1B-690
02	125NHG02B	—

The only controlled copy of this data sheet is the electronic read-only version located on the Eaton network drive. All other copies of this document are by definition uncontrolled. This bulletin is intended to clearly present comprehensive product data and provide technical information that will help the end user with design applications. Eaton reserves the right, without notice, to change design or construction of any products and to discontinue or limit distribution of any products. Eaton also reserves the right to change or update, without notice, any technical information contained in this bulletin. Once a product has been selected, it should be tested by the user in all possible applications.

**Eaton**  
1000 Eaton Boulevard  
Cleveland, OH 44122  
Eaton.com

Bussmann Division  
114 Old State Road  
Ellisville, MO 63021  
United States  
Eaton.com/bussmannseries

© 2015 Eaton  
All Rights Reserved  
Printed in USA  
Publication No. 1166 — BU-SB15XXX  
December 2015

Eaton, Bussmann and *easyD* are valuable trademarks of Eaton in the U.S. and other countries. You are not permitted to use the Eaton trademarks without prior written consent of Eaton.  
CSA  
KEMA

For Eaton's Bussmann series  
product information,  
call **1-855-287-7626** or visit:  
**Eaton.com/bussmannseries**

Follow us on social media to get the  
latest product and support information.

