



Chipsmall Limited consists of a professional team with an average of over 10 year of expertise in the distribution of electronic components. Based in Hongkong, we have already established firm and mutual-benefit business relationships with customers from,Europe,America and south Asia,supplying obsolete and hard-to-find components to meet their specific needs.

With the principle of “Quality Parts,Customers Priority,Honest Operation,and Considerate Service”,our business mainly focus on the distribution of electronic components. Line cards we deal with include Microchip,ALPS,ROHM,Xilinx,Pulse,ON,Everlight and Freescale. Main products comprise IC,Modules,Potentiometer,IC Socket,Relay,Connector.Our parts cover such applications as commercial,industrial, and automotives areas.

We are looking forward to setting up business relationship with you and hope to provide you with the best service and solution. Let us make a better world for our industry!



Contact us

Tel: +86-755-8981 8866 Fax: +86-755-8427 6832

Email & Skype: info@chipsmall.com Web: www.chipsmall.com

Address: A1208, Overseas Decoration Building, #122 Zhenhua RD., Futian, Shenzhen, China





Surge Protection Made Simple™

Wind Power Applications

Advanced, Easy-to-Use Surge & Lightning Protection Products for Wind Power Systems

- Modular DIN-rail design with color-coding and rejection feature makes it easy to identify, install and maintain.
- High surge discharge capacity due to heavy-duty zinc oxide varistor and spark-gap technology.
- easyID™ Visual indication and optional remote contact signaling make status monitoring simple.
- Vibration and shock resistant according to EN 60068-2 standards.
- Wide range of IEC Class I and Class II SPD covering all the major markets around the world.



The Need for Surge Protection

The unique nature of Wind Power installations make them vulnerable to overvoltages and surges from lightning strikes and static discharges.

These surges need to be intercepted before they take down the entire system by damaging the Wind Power arrays, charge controller/inverter and combiner boxes.

In any Wind Power system, it is vital that surge suppressor elements that are subject to wear, are easily monitored for performance.

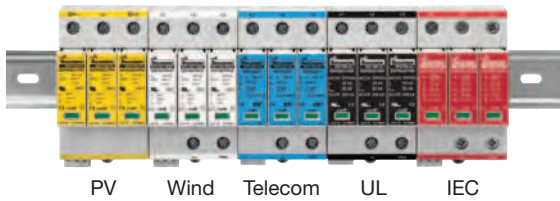
The Cooper Bussmann Wind Power Surge Suppression systems provide standard *easyID™* visual indication and remote contact signaling to keep system maintainers apprised of the protection level being delivered.

Safe and Simple

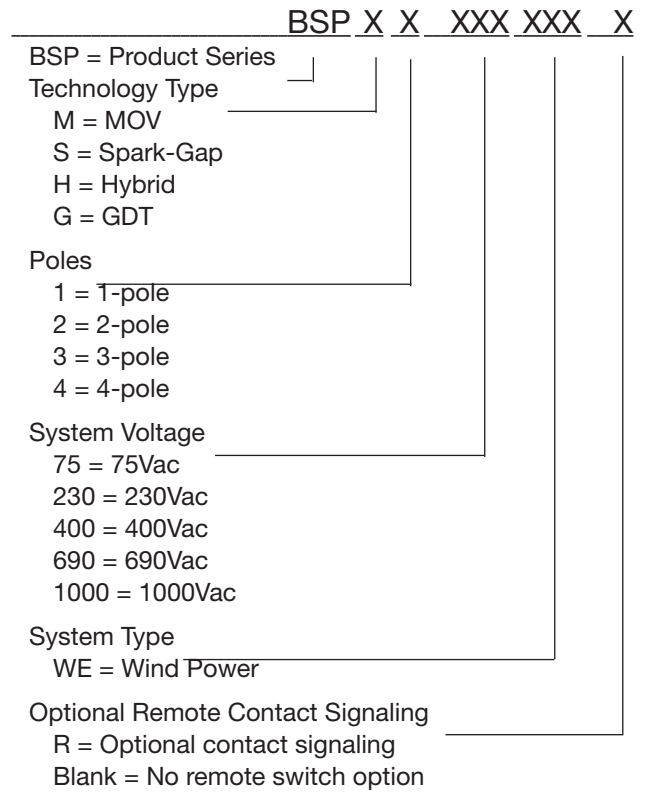
- IP20 Finger-safe construction and suppressor rejection feature make it easy to know the suppressor system is installed and properly operating to protect your Wind Power system investment.
- Simply specify the system voltage and whether the remote contact signaling is desired.
- Five year limited warranty.*

Complete Line of Surge Protection Solutions

Cooper Bussmann offers surge protection products for PV, telecom, UL and IEC applications.



Part Number System



Reference product data sheets for specific agency approval information.

Ordering Information

Lightning Arrestors - Wind Power IEC Type 1					
Power System	Poles	Volts	Cooper Bussmann Part Number	Description	Modules
TN	1	690	BSPS1690WER	690V Combined lightning current and surge arrester for single-pole TN systems (remote)	N/A
TNC	1	400	BSPS1400WE(R)	400V Combined lightning current and surge arrester for single-pole TN-C systems (remote)	N/A
Surge Arrestors - Wind Power IEC Type 2					
TN	1	75	BSPM175WE(R)	75V Surge arrester for single-pole TN systems (remote)	BPM75WE
TN	1	690	BSPM1690WE(R)	690V Surge arrester for single-pole TN systems (remote)	BPM750WE
TN	1	1000	BSPM11000WE(R)	1000V Surge arrester for single-pole TN systems (remote)	N/A
TT	1	230	BSPG1230WE(R)	230V Surge arrester for single-pole TT systems (remote)	BPG255NPEWE
TN	2	230	BSPM2230WE(R)	230V Surge arrester for 2-pole TN systems (remote)	BPM275WE
TNC	3	230	BSPM3230WE(R)	230V Surge arrester for 3-pole TNC systems (remote)	BPM275WE
TNC	3	400	BSPM3400WE(R)	400V Surge arrester for 3-pole TNC systems (remote)	BPM440WE
TNC	3	690	BSPM3690WE(R)	690V Surge arrester for 3-pole TNC systems (remote)	BPM750WE
TT	2	230	BSPH2230WE(R)	230V Surge arrester for 2-pole TT systems (remote)	BPM275WE, BPSNPEWE
TT	4	230	BSPH4230WE(R)	230V Surge arrester for 4-pole TT systems (remote)	BPM275WE, BPSNPEWE
TNS	4	230	BSPM4230WE(R)	230V Surge arrester for 4-pole TNS systems (remote)	BPM275WE

* See Cooper Bussmann SPD Limited Warranty Statement (3A1502) for details at www.cooperbussmann.com/surge.