



Chipsmall Limited consists of a professional team with an average of over 10 year of expertise in the distribution of electronic components. Based in Hongkong, we have already established firm and mutual-benefit business relationships with customers from,Europe,America and south Asia,supplying obsolete and hard-to-find components to meet their specific needs.

With the principle of “Quality Parts,Customers Priority,Honest Operation,and Considerate Service”,our business mainly focus on the distribution of electronic components. Line cards we deal with include Microchip,ALPS,ROHM,Xilinx,Pulse,ON,Everlight and Freescale. Main products comprise IC,Modules,Potentiometer,IC Socket,Relay,Connector.Our parts cover such applications as commercial,industrial, and automotives areas.

We are looking forward to setting up business relationship with you and hope to provide you with the best service and solution. Let us make a better world for our industry!



Contact us

Tel: +86-755-8981 8866 Fax: +86-755-8427 6832

Email & Skype: info@chipsmall.com Web: www.chipsmall.com

Address: A1208, Overseas Decoration Building, #122 Zhenhua RD., Futian, Shenzhen, China



PART NAME

TRANSPARENT BLUE NEMA ENCLOSURE

PART No.

BT-2742

UL FILE #194432

MATERIAL:

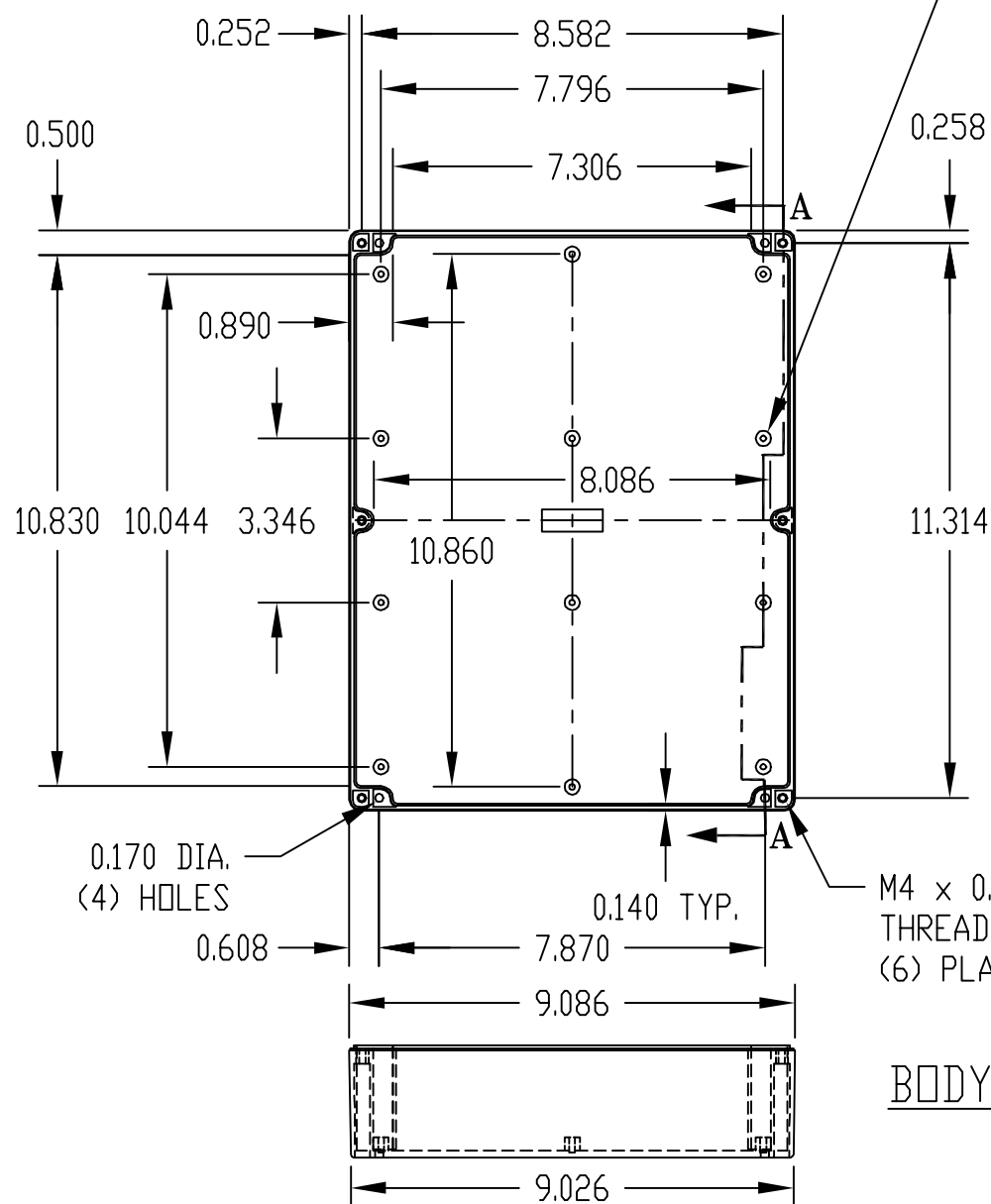
POLYCARBONATE, TRANSPARENT BLUE

UL94V-2 FLAMMABILITY RATING

UV STABILIZED

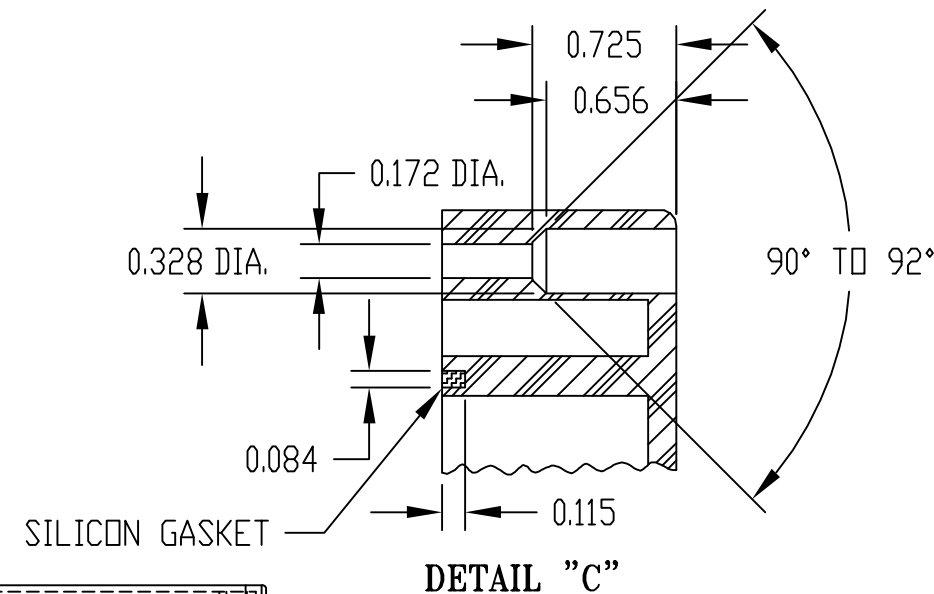
SERVICE TEMPERATURE RANGE: -40°C TO +120°C

0.315 DIA. BOSS WITH
0.120 DIA. HOLE x 0.320 DEEP
(12) PLACES
MOUNTING BOSSES USE EITHER
M3 METRIC OR #6 STD. SHEET
METAL SCREWS x 0.312 LG.
(NOT SUPPLIED)

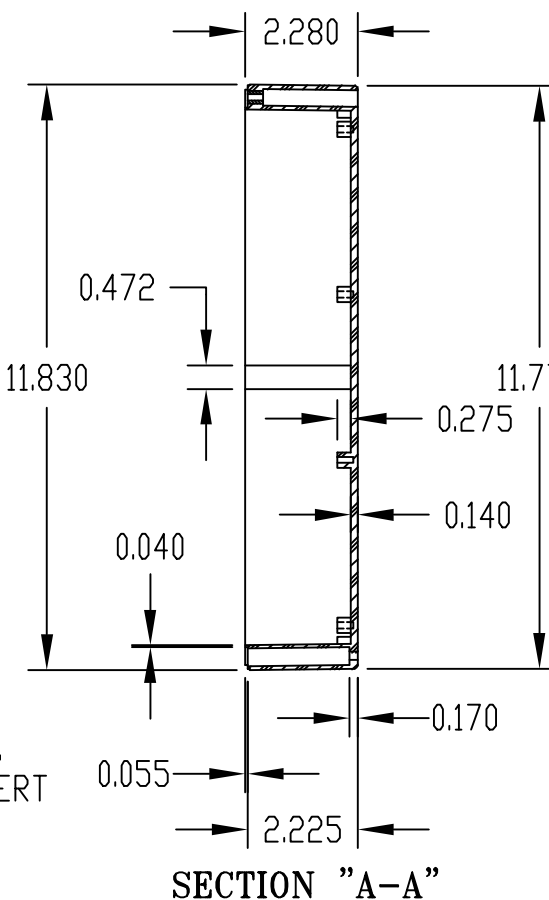


BODY

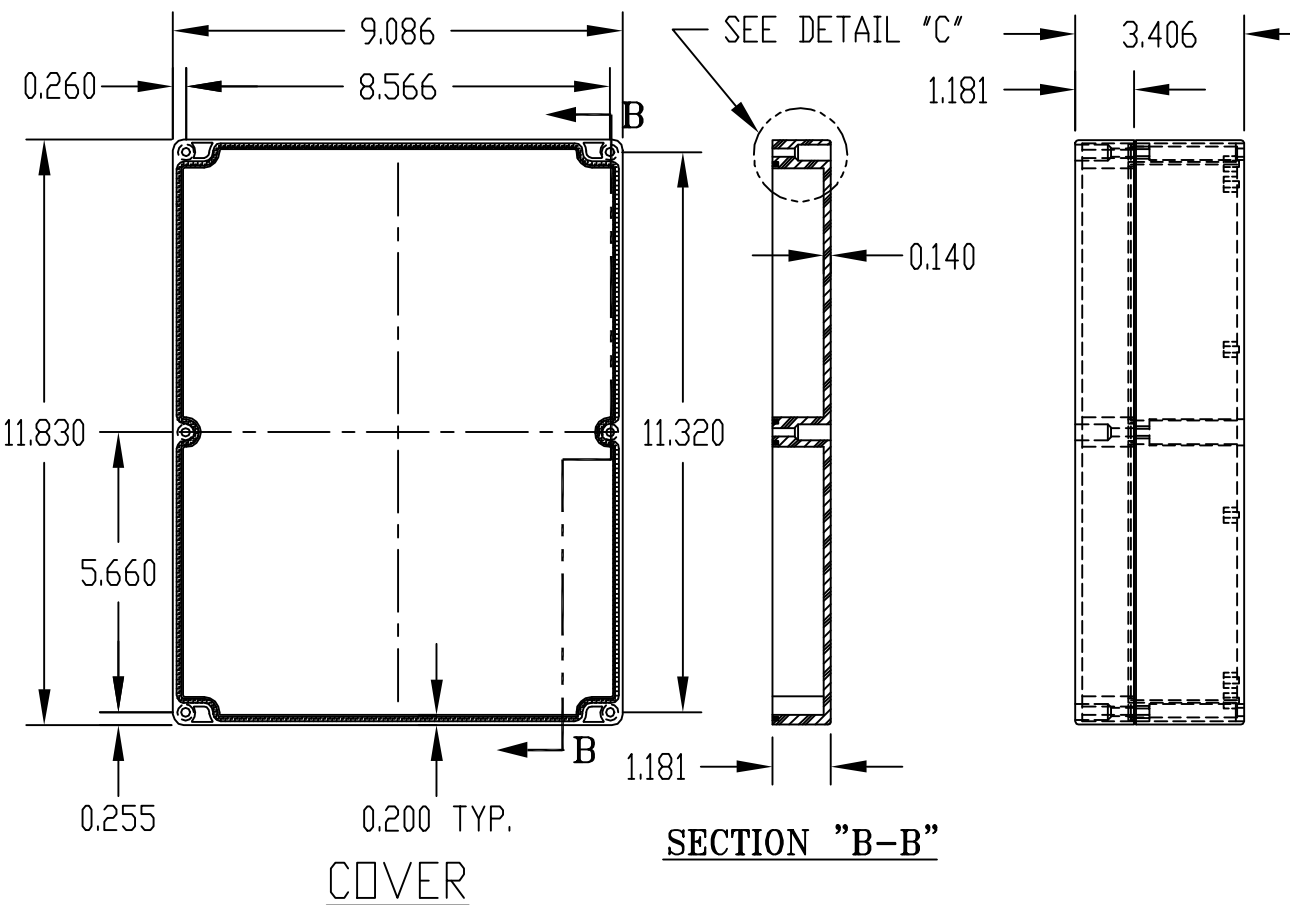
M4 x 0.315 LG.
THREADED INSERT
(6) PLACES



DETAIL "C"



SECTION "A-A"



SECTION "B-B"

COVER

NOTE: ALL DIMENSIONS HAVE ±0.015 TOLERANCE UNLESS OTHERWISE SPECIFIED.

HARDWARE KIT

KIT CONTAINS (6)
M4 x 25mm (1.000") LG.
SCREWS FOR ASSEMBLY