



Chipsmall Limited consists of a professional team with an average of over 10 year of expertise in the distribution of electronic components. Based in Hongkong, we have already established firm and mutual-benefit business relationships with customers from,Europe,America and south Asia,supplying obsolete and hard-to-find components to meet their specific needs.

With the principle of “Quality Parts,Customers Priority,Honest Operation,and Considerate Service”,our business mainly focus on the distribution of electronic components. Line cards we deal with include Microchip,ALPS,ROHM,Xilinx,Pulse,ON,Everlight and Freescale. Main products comprise IC,Modules,Potentiometer,IC Socket,Relay,Connector.Our parts cover such applications as commercial,industrial, and automotives areas.

We are looking forward to setting up business relationship with you and hope to provide you with the best service and solution. Let us make a better world for our industry!



Contact us

Tel: +86-755-8981 8866 Fax: +86-755-8427 6832

Email & Skype: info@chipsmall.com Web: www.chipsmall.com

Address: A1208, Overseas Decoration Building, #122 Zhenhua RD., Futian, Shenzhen, China



10 9 8 7 6 5 4 3 2 1

F

E

D

C

B

A

F

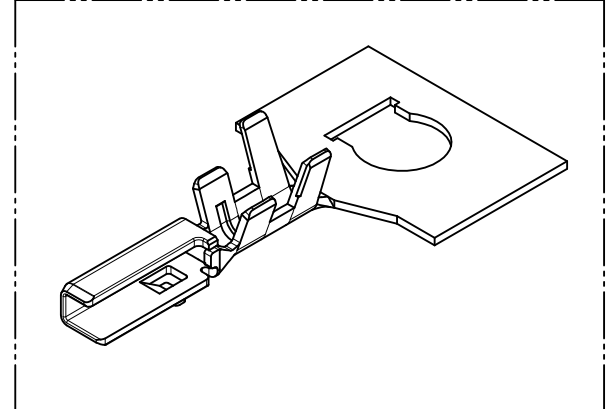
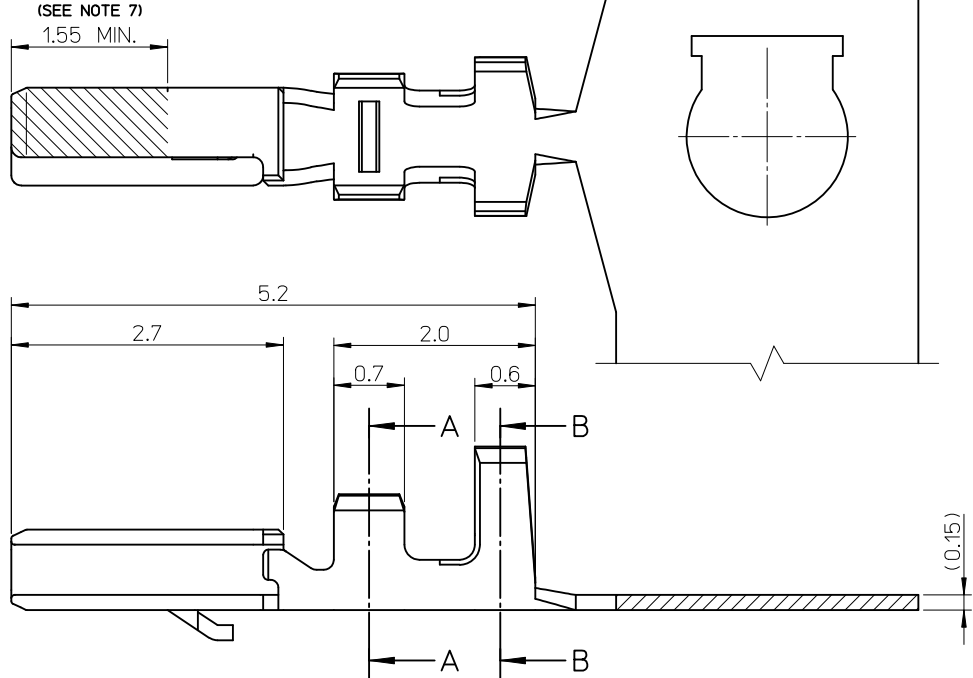
E

D

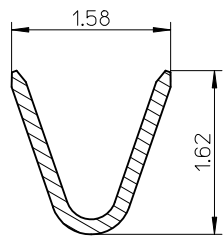
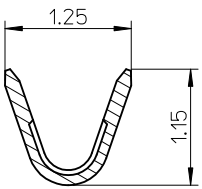
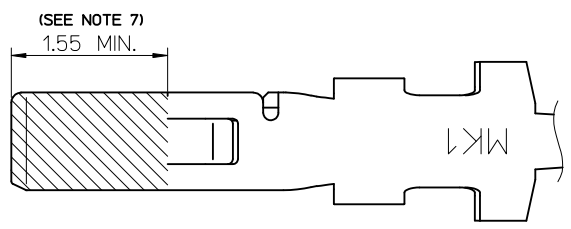
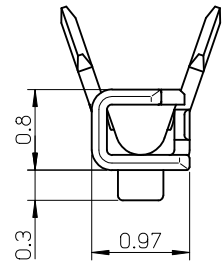
C

B

A



- NOTE**
1. MATERIAL : COPPER ALLOY (t=0.15)
 2. FINISH : REFLOWED PRE-PLATED TIN PLATING ON OVERALL THICKNESS 0.4μm Min, UNDER PLATING CU OVERALL THICKNESS 0.1 μm Min
 3. APPLICABLE HOUSING : 104092,104105, 104121 SERIES
 4. PACKAGING SPECIFICATION : PK-104521-001
 5. CRIMPING SPECIFICATION : CS-104521-001
 6. APPLICABLE CABLE WIRE RANGE : #26~#32'
 7. PLEASE DON'T DAMAGE, DENT AND DON'T MAKE IT DIRTY. BECAUSE THE RANGE IN THE SHADED PORTION SHOWN IN FIGURE IS THE CONTACT AREA.



SECTION A-A

SECTION B-B

RELEASED	EC NO: KOR2011-0072	2011/01/10
	DRWN: HTSONG	2011/01/10
	CHKD: SHCHU	2011/01/10
	APPR: YUNSIKKIM	2011/01/10

REV	DESCRIPTION
▲=0	QUALITY SYMBOLS
◻=0	

GENERAL TOLERANCES (UNLESS SPECIFIED)	
	mm INCH
4 PLACES	± --- ± ---
3 PLACES	± --- ± ---
2 PLACES	± 0.25 ± ---
1 PLACE	± 0.3 ± ---
ANGULAR ± 1 °	
DRAFT WHERE APPLICABLE MUST REMAIN WITHIN DIMENSIONS	

DIMENSION STYLE	
MM ONLY	
DRAWN BY	DATE
HTSONG	2010/08/09
CHECKED BY	DATE
SHCHU	2010/08/09
APPROVED BY	DATE
YSKIM	2010/08/09
MATERIAL NO.	
1045216001	

SCALE	DESIGN UNITS
20:1	METRIC

THIRD ANGLE PROJECTION	TITLE	1.25 W/B CONN. PLUG TERMINAL
ORDER NO.	104521-6001	
MOLEX INCORPORATED		
DOCUMENT NO.	SD-104521-001	SHEET NO. 1 OF 1
THIS DRAWING CONTAINS INFORMATION THAT IS PROPRIETARY TO MOLEX INCORPORATED AND SHOULD NOT BE USED WITHOUT WRITTEN PERMISSION		

9 8 7 6 5 4 3 2 1