



Chipsmall Limited consists of a professional team with an average of over 10 year of expertise in the distribution of electronic components. Based in Hongkong, we have already established firm and mutual-benefit business relationships with customers from,Europe,America and south Asia,supplying obsolete and hard-to-find components to meet their specific needs.

With the principle of “Quality Parts,Customers Priority,Honest Operation,and Considerate Service”,our business mainly focus on the distribution of electronic components. Line cards we deal with include Microchip,ALPS,ROHM,Xilinx,Pulse,ON,Everlight and Freescale. Main products comprise IC,Modules,Potentiometer,IC Socket,Relay,Connector.Our parts cover such applications as commercial,industrial, and automotives areas.

We are looking forward to setting up business relationship with you and hope to provide you with the best service and solution. Let us make a better world for our industry!



Contact us

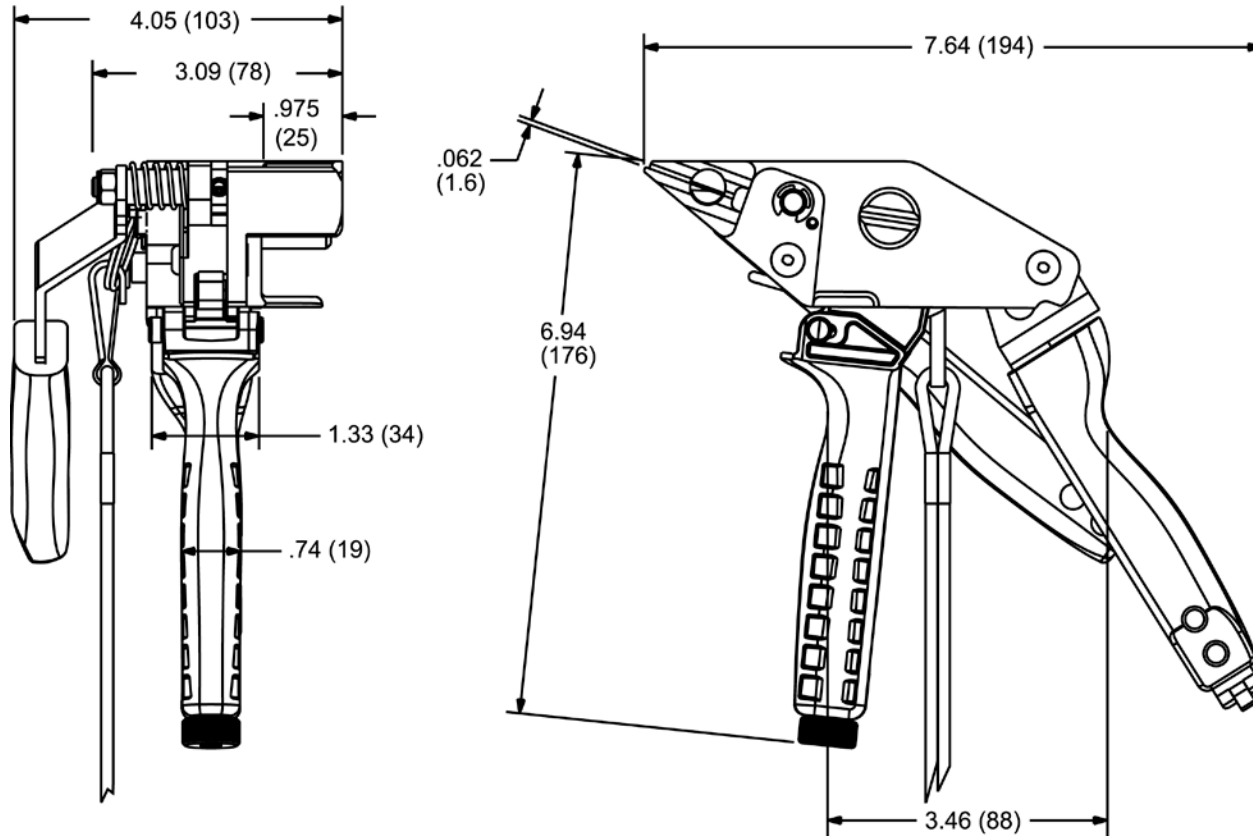
Tel: +86-755-8981 8866 Fax: +86-755-8427 6832

Email & Skype: info@chipsmall.com Web: www.chipsmall.com

Address: A1208, Overseas Decoration Building, #122 Zhenhua RD., Futian, Shenzhen, China



THIS COPY IS PROVIDED ON A RESTRICTED BASIS AND IS NOT TO BE USED IN ANY WAY DETRIMENTAL TO THE INTERESTS OF PANDUIT CORP.



NOTES, UNLESS OTHERWISE SPECIFIED:
 Panduit Tool Number BT2HT is used to install coated and uncoated Pan-Steel MS Series strap and buckles in widths of 3/8" (9.5mm), 1/2" (12.7mm); and 5/8" (15.9mm).

- THIS TOOLS' FEATURES INCLUDE:**
- Single handle trigger for fast installation
 - Cable strap side entry for immediate positioning of strap and tool
 - Adjustable controlled or Installer controlled tension
 - Cut-off capability with the cutter and cutter handle
 - Easy removal of excess strap.
 - Multi-position rear handle allows access to tight areas.
 - Features to release & remove strap from tool before cutting.

CABLE TIE CROSS-SECTION CODE:
 MS Series straps and buckles.

TOOL WEIGHT: 2.6 lbs. (41.6 oz.)
 Dimensions shown in parenthesis are metric.

F:\wrkgrp\rvusers\ENGR DOCS\
 CUSTDWG/TB25755A01_01 BT2HT.doc

BT2HT CUSTOMER DRAWING

CUSTOMER DRAWING

ITEM REVISION NAME:
TB25755A01_01



UNLESS OTHERWISE SPECIFIED,
 DIMENSIONAL TOLERANCES ARE:
 (.x) ± --- (.xxx) ± ---
 (.xx) ± --- ANGLES ± ---

MATERIAL:



DRAWING NUMBER:
 TB25755A01

01	7-28-14	BLR	<i>BJPU</i>	<i>ABJ</i>	REDRAWN; NEW TEMPLATE, UPD BRANDING	4765

REV	DATE	BY	CHK	APR	DESCRIPTION	ECN	DRAWN BY:	DATE:	CHK	SCALE	SHT 1 OF 1	SIZE
							BLR	7-28-14	BJPU	NONE		A