



Chipsmall Limited consists of a professional team with an average of over 10 year of expertise in the distribution of electronic components. Based in Hongkong, we have already established firm and mutual-benefit business relationships with customers from,Europe,America and south Asia,supplying obsolete and hard-to-find components to meet their specific needs.

With the principle of "Quality Parts,Customers Priority,Honest Operation,and Considerate Service",our business mainly focus on the distribution of electronic components. Line cards we deal with include Microchip,ALPS,ROHM,Xilinx,Pulse,ON,Everlight and Freescale. Main products comprise IC,Modules,Potentiometer,IC Socket,Relay,Connector.Our parts cover such applications as commercial,industrial, and automotives areas.

We are looking forward to setting up business relationship with you and hope to provide you with the best service and solution. Let us make a better world for our industry!



Contact us

Tel: +86-755-8981 8866 Fax: +86-755-8427 6832

Email & Skype: info@chipsmall.com Web: www.chipsmall.com

Address: A1208, Overseas Decoration Building, #122 Zhenhua RD., Futian, Shenzhen, China



DO NOT SCALE FROM THIS PRINT

| TABLE 1 | | | | | |
|---------|-------------------|---------------|--------------|-------------|-----------------------|
| STYLE | "A" | "B" | BODY | TERMINAL | MATED HEIGHT WITH BSE |
| -01 | .1600[4.064] REF | .1680[4.267] | BTE-XXX-01-D | T-1S39-01-X | .1980[5.029] REF |
| -02 | .2781[7.064] REF | .2861[7.267] | BTE-XXX-02-D | T-1S59-02-X | .3161[8.029] REF |
| -03 | .3962[10.063] REF | .4042[10.267] | BTE-XXX-03-D | T-1S39-03-X | .4342[11.029] REF |

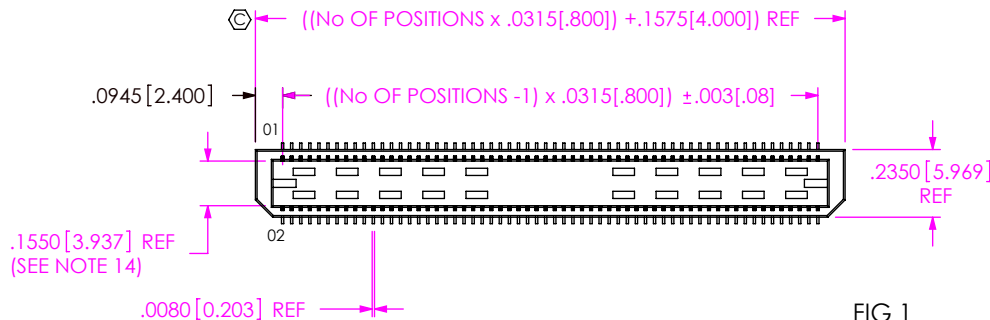
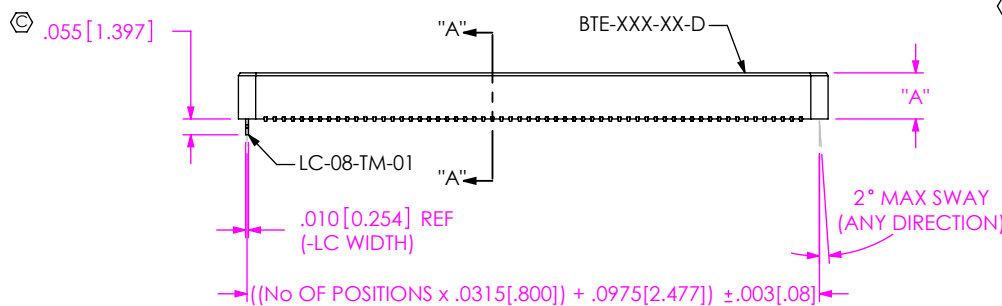
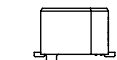


FIG 1
BTE-060-01-X-D-LC SHOWN



-LC: LOCKING CLIP OPTION



.0375[0.953] REF

BTE-XXX-XX-D-A

.0350[0.889] DIA REF
((No OF POSITIONS x .0315[.800]) + .0975[2.477]) REF

-A: ALIGNMENT PIN OPTION

NOTES:

1. Ⓢ REPRESENTS A CRITICAL DIMENSION.
2. NOTE DELETED.
3. BURR ALLOWANCE: .0015[.038] MAX.
4. NOTE DELETED.
5. MINIMUM PUSHOUT FORCE: 6 OZ.
6. NOTE DELETED.
7. PARTS TO BE MOLD TO POSITION.
8. MAX VARIANCE OF .002[.05].
9. BTE-XXX-03-D BODY CAN BE SUBSTITUTED FOR -F PLATING.
10. -L PLATING CAN BE SUBSTITUTED FOR -F PLATING.
11. NOTE DELETED.
12. NOTE DELETED.
13. DUE TO THE HIGH AMOUNT OF INSERTION FORCE NEEDED, THE -LC OPTION IS NOT COMPATIBLE WITH AUTO PLACEMENT. SAMTEC RECOMMENDS MANUAL PLACEMENT FOR ALL ASSEMBLIES WITH THE -LC OPTION."
14. PIN CAN EXTEND PAST WALL .003 [.08] MAX.

BTE-XXX-XX-X-D-XX

No OF POSITIONS
-020, -040, -060,
[-080, *-090, -100, -120]
(PER ROW)
*-03, -04 & -08 BODY STYLE ONLY

BODY STYLE
-01: .1680[4.267]
-02: .2861[7.264]
-03: .4042[10.266]
-04: .6010[15.265]
-05: .7190[18.263]
-06: .8370[21.260]
-07: .9542[24.237]
-08: 1.1511[29.238]
-09: .5224 [13.269]

OPTION

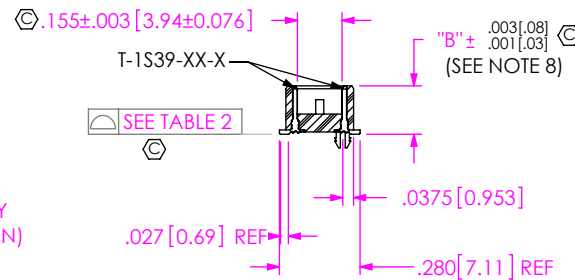
- A: ALIGNMENT PINS (USE BTE-XXX-XX-D-A)
- LC: LOCKING CLIPS(SEE NOTE 13) (USE LC-08-TM-01)
- K: POLYIMIDE FILM (N/A ON STYLES -07 & -08) (USE K-DOT-.276-.375-.005, SEE FIG 2)
- TR: TAPE & REEL (80 POS MAX) [N/A ON STYLE -05, -06, -07 & -08]
- FL: FRICTION LOCK (SEE FIG 4, SHEET 3) (USE BTE-XXX-01-D-X-FL) (AVAIL ON LEAD STYLE -01 ONLY, -020 THRU -100 POSITIONS ONLY)

ROW SPECIFICATION

- D: DOUBLE (USE BTE-XXX-XX-D-X & BTEH-XXX-XX-D-X)

PLATING SPECIFICATION

- F: 3μ" SELECTIVE GOLD IN CONTACT AREA, WITH MATTE TIN TAILS (USE T-1SXX-XX-F) (SEE NOTE 10)
- L: 10μ" SELECTIVE GOLD IN CONTACT AREA, MATTE TIN TAILS (USE T-1SXX-XX-L) (SEE NOTE 10)
- H: 30μ" GOLD IN CONTACT AREA, 3μ" GOLD ON TAIL (USE T-1SXX-XX-H)
- C: 50μ" GOLD IN CONTACT AREA, 3μ" GOLD ON TAIL (USE T-1SXX-XX-C)



SECTION "A"-"A"

| TABLE 2 | |
|---------------|-------------|
| POSITIONS | COPLANARITY |
| -20 THRU -60 | .004[.10] |
| -80 THRU -120 | .006[.15] |

UNLESS OTHERWISE SPECIFIED, DIMENSIONS ARE IN INCHES.

TOLERANCES ARE:
DECIMALS ANGLES
.XX: ±.01 [.3] 2°
.XXX: ±.005 [.13]
.XXXX: ±.0020 [.051]

PROPRIETARY NOTE

THIS DOCUMENT CONTAINS CONFIDENTIAL AND PROPRIETARY INFORMATION AND ALL DESIGN, MANUFACTURING, REPRODUCTION, USE, PATENT RIGHTS AND SALES RIGHTS ARE EXPRESSLY RESERVED BY SAMTEC, INC. THIS DOCUMENT SHALL NOT BE DISCLOSED, IN WHOLE OR PART, TO ANY UNAUTHORIZED PERSON OR ENTITY NOR REPRODUCED, TRANSFERRED OR INCORPORATED IN ANY OTHER PROJECT IN ANY MANNER WITHOUT THE EXPRESS WRITTEN CONSENT OF SAMTEC, INC.



520 PARK EAST BLVD, NEW ALBANY, IN 47150
PHONE: 812-944-6733 FAX: 812-948-5047
e-Mail info@SAMTEC.com code 55322

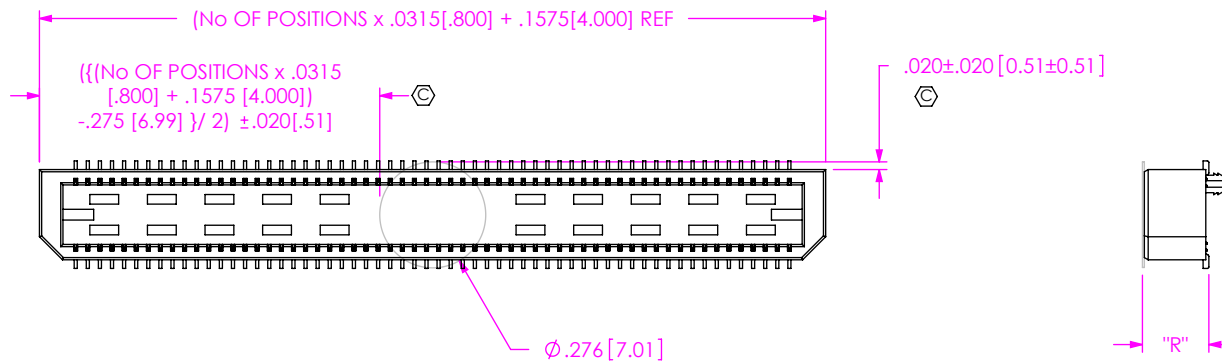
MATERIAL: DO NOT SCALE DRAWING SHEET SCALE: 1.5:1
INSULATOR: LCP, COLOR: BLACK, FLAMMABILITY RATING: UL94VO
TERMINAL: PHOS BRONZE

DESCRIPTION: .8mm DOUBLE ROW TERMINAL ASSEMBLY

DWG. NO. BTE-XXX-XX-X-D-XX

BY: DEAN P 03/22/1999 SHEET 1 OF 3

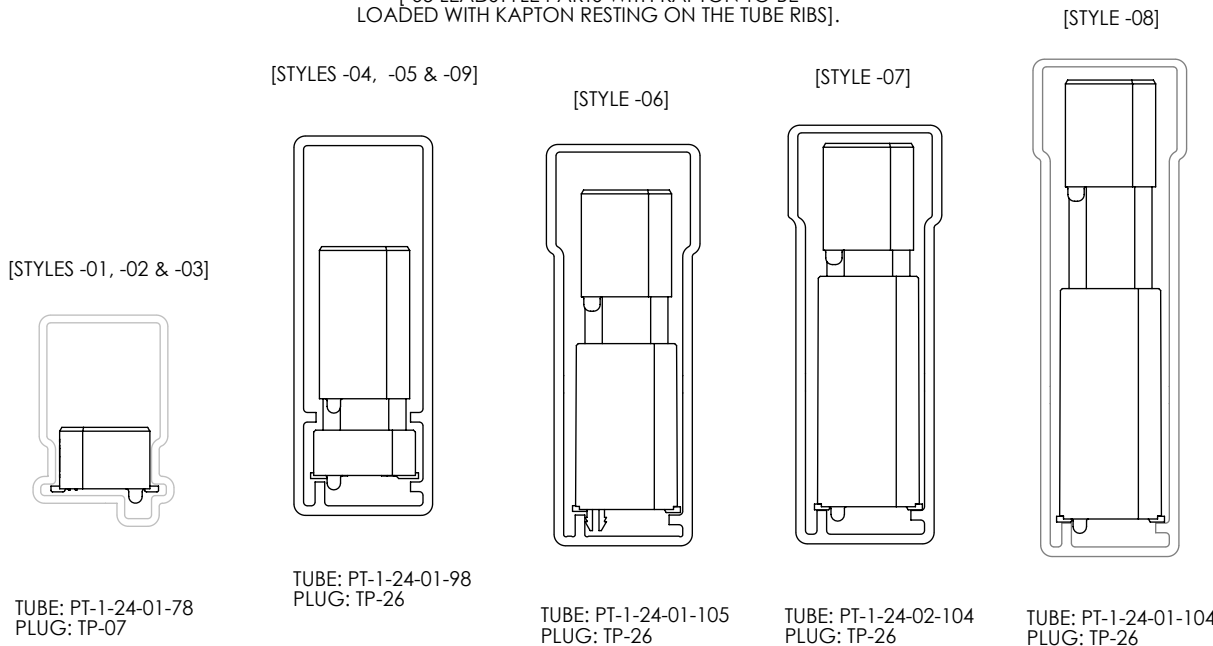
FIG 2
-K: POLYIMIDE FILM PAD



| STYLE | "R" |
|-------|------------|
| -01 | .173 4.39 |
| -02 | .291 7.39 |
| -03 | .409 10.39 |
| -04 | .606 15.39 |
| -05 | .724 18.39 |
| -06 | .842 21.39 |
| -09 | .527 13.40 |

PACKAGING VIEW

[PARTS NEED TO BE LOADED PER PACKAGING VIEWS]
[-05 LEADSTYLE PARTS WITH KAPTON TO BE LOADED WITH KAPTON RESTING ON THE TUBE RIBS].



| STYLE | PACKAGING TUBE | PLUG |
|-------|----------------|-------|
| -01 | PT-1-24-01-78 | TP-07 |
| -02 | | |
| -03 | | |
| -04 | PT-1-24-01-98 | TP-26 |
| -05 | | |
| -06 | PT-1-24-01-105 | |
| -07 | PT-1-24-02-104 | |
| -08 | PT-1-24-01-104 | |
| -09 | PT-1-24-01-98 | TP-26 |

F:\DWG\MISC\MKTG\BTE-XXX-XX-X-D-XX-MKT.SLDDRW

PROPRIETARY NOTE
THIS DOCUMENT CONTAINS CONFIDENTIAL AND PROPRIETARY INFORMATION AND ALL DESIGN, MANUFACTURING, REPRODUCTION, USE, PATENT RIGHTS AND SALES RIGHTS ARE EXPRESSLY RESERVED BY SAMTEC, INC. THIS DOCUMENT SHALL NOT BE DISCLOSED, IN WHOLE OR PART, TO ANY UNAUTHORIZED PERSON OR ENTITY NOR REPRODUCED, TRANSFERRED OR INCORPORATED IN ANY OTHER PROJECT IN ANY MANNER WITHOUT THE EXPRESS WRITTEN CONSENT OF SAMTEC, INC.

DO NOT SCALE DRAWING

SHEET SCALE: 2:1



520 PARK EAST BLVD, NEW ALBANY, IN 47150
PHONE: 812-944-6733 FAX: 812-948-5047
e-Mail info@SAMTEC.com code 55322

DESCRIPTION:
.8mm DOUBLE ROW TERMINAL ASSEMBLY

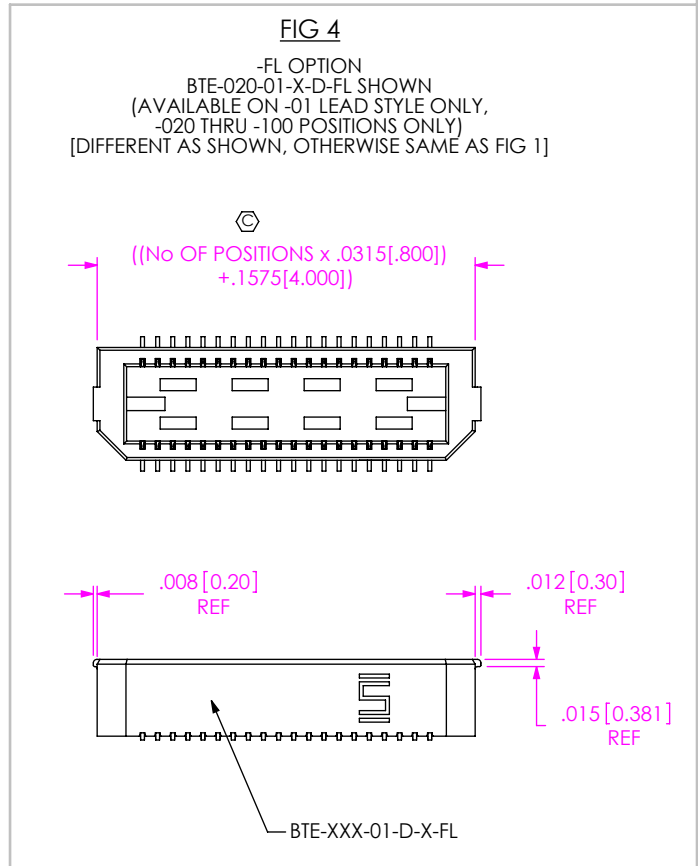
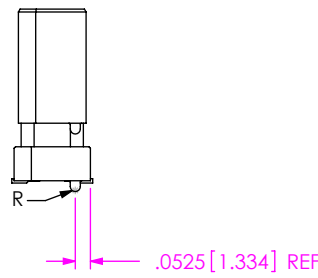
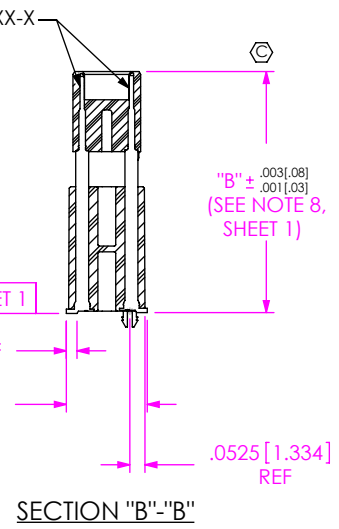
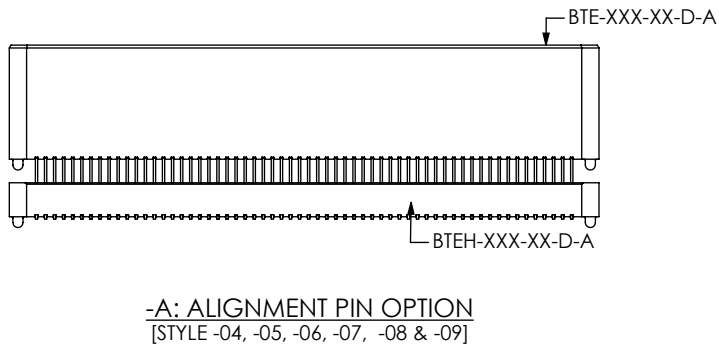
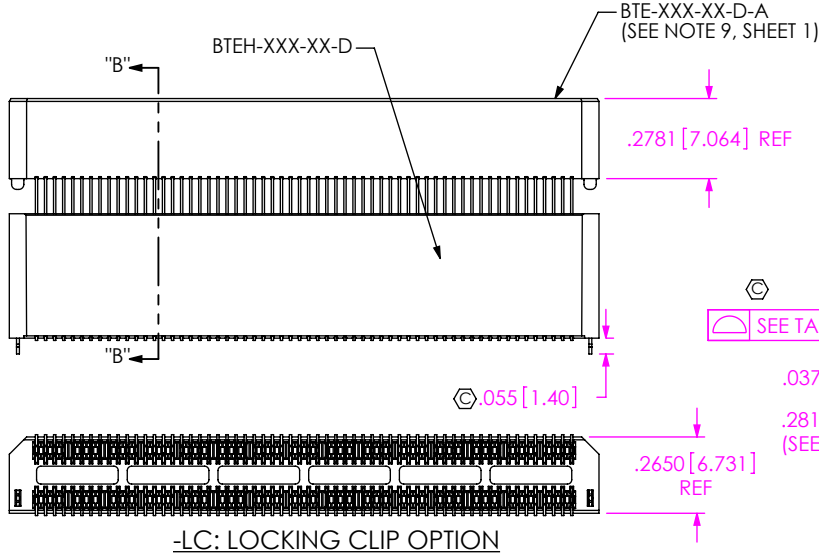
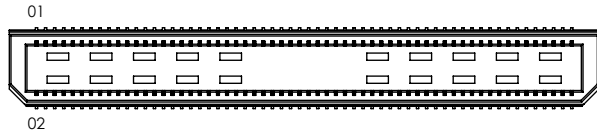
DWG. NO. BTE-XXX-XX-X-D-XX

BY: DEAN P 03/22/1999 SHEET 2 OF 3

FIG 3

BTE-060-06-X-D-LC SHOWN
[DIFFERENT AS SHOWN, OTHERWISE SAME AS FIG 1]

| TABLE 4 | | | | | |
|---------|-----------------|---------------------------------------|-----------------|----------------|-----------------------|
| STYLE | "B" | TERMINAL | BOTTOM BODY | TOP BODY | MATED HEIGHT WITH BSE |
| -04 | .6010[15.265] | T-1S41-04-X | BTEH-XXX-01-D-X | BTE-XXX-03-D-A | .634 [16.10] REF |
| -05 | .7190[18.263] | T-1S41-05-X | BTEH-XXX-01-D-X | BTE-XXX-03-D-A | .752 [19.10] REF |
| -06 | .8370[21.260] | T-1S51-06-X | BTEH-XXX-03-D-X | BTE-XXX-02-D-A | .867 [22.02] REF |
| -07 | .9542 [24.237] | T-1S61-21-F, T-1S61-21-L, T-1S61-21-H | BTEH-XXX-04-D-X | BTE-XXX-02-D-A | .9842 [25.00] REF |
| -08 | 1.1511 [29.238] | T-1S61-22-X | BTEH-XXX-04-D-X | BTE-XXX-02-D-A | 1.1811 [30.00] REF |
| -09 | .5224 [13.269] | T-1S60-09-X | BTEH-XXX-01-D-X | BTE-XXX-02-D-A | .551 [14.00] REF |



PROPRIETARY NOTE
THIS DOCUMENT CONTAINS CONFIDENTIAL AND PROPRIETARY INFORMATION AND ALL DESIGN, MANUFACTURING, REPRODUCTION, USE, PATENT RIGHTS AND SALES RIGHTS ARE EXPRESSLY RESERVED BY SAMTEC, INC. THIS DOCUMENT SHALL NOT BE DISCLOSED, IN WHOLE OR PART, TO ANY UNAUTHORIZED PERSON OR ENTITY NOR REPRODUCED, TRANSFERRED OR INCORPORATED IN ANY OTHER PROJECT IN ANY MANNER WITHOUT THE EXPRESS WRITTEN CONSENT OF SAMTEC, INC.

DO NOT SCALE DRAWING
SHEET SCALE: 1.5:1

samtec
520 PARK EAST BLVD. NEW ALBANY, IN 47150
PHONE: 812-944-6733 FAX: 812-948-5047
e-Mail info@SAMTEC.com code 55322

DESCRIPTION:
.8mm DOUBLE ROW TERMINAL ASSEMBLY

DWG. NO.
BTE-XXX-XX-X-D-XX

BY: DEAN P 03/22/1999 SHEET 3 OF 3