



Chipsmall Limited consists of a professional team with an average of over 10 year of expertise in the distribution of electronic components. Based in Hongkong, we have already established firm and mutual-benefit business relationships with customers from,Europe,America and south Asia,supplying obsolete and hard-to-find components to meet their specific needs.

With the principle of "Quality Parts,Customers Priority,Honest Operation,and Considerate Service",our business mainly focus on the distribution of electronic components. Line cards we deal with include Microchip,ALPS,ROHM,Xilinx,Pulse,ON,Everlight and Freescale. Main products comprise IC,Modules,Potentiometer,IC Socket,Relay,Connector.Our parts cover such applications as commercial,industrial, and automotives areas.

We are looking forward to setting up business relationship with you and hope to provide you with the best service and solution. Let us make a better world for our industry!



## Contact us

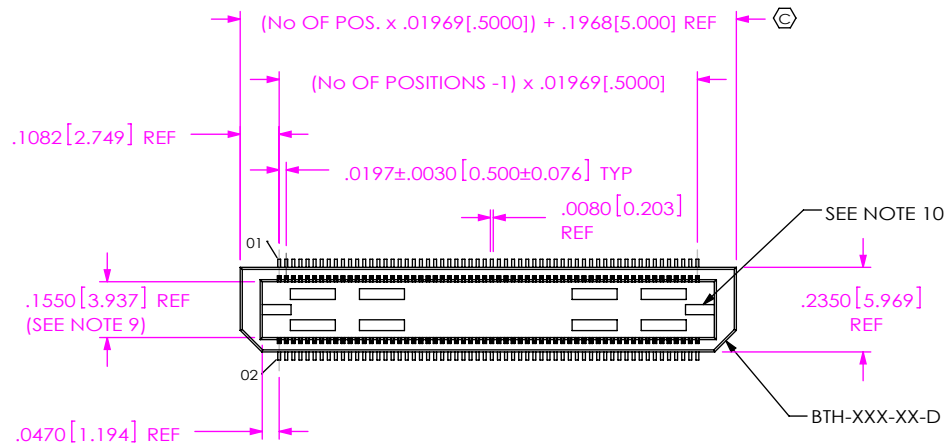
Tel: +86-755-8981 8866 Fax: +86-755-8427 6832

Email & Skype: info@chipsmall.com Web: www.chipsmall.com

Address: A1208, Overseas Decoration Building, #122 Zhenhua RD., Futian, Shenzhen, China



DO NOT SCALE FROM THIS PRINT



**NO OF POSITIONS**  
 030, \*\*\*050, 060, 090,  
 \*120, \*150  
 (PER ROW)  
 LEAD STYLE -02 ONLY: 030 - 180  
 MULTIPLES OF 10

\*SEE NOTE 7

**LEAD STYLE**

- 01: .1680[4.267]
- 02: .2861[7.264]  
(030 -180 POSITIONS AVAILABLE)
- 03: .4042[10.267]
- 04: .6000[15.240]
- 05: .7180[18.237]
- 06: .8360[21.234]
- 09: .5224[13.269]

\*\*\* = 50 POS. ONLY AVAILABLE FOR  
 -01 AND -02 LEAD STYLE  
 (REF ASP-65267-02), NOT  
 TOOLED FOR -03 LEAD STYLE

**OPTION**

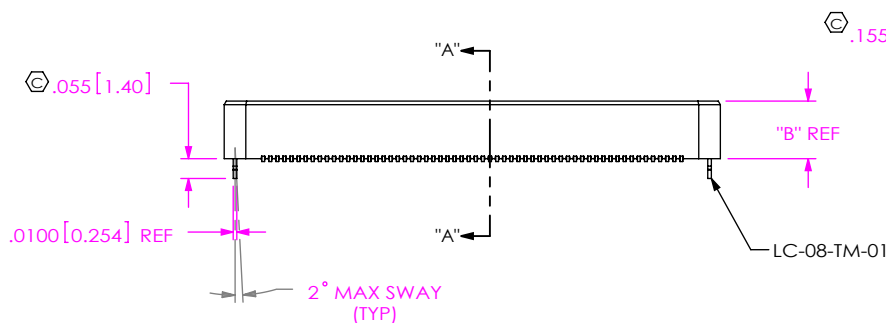
- A: ALIGNMENT PINS  
(USE BTH-XXX-XX-D-A FOR  
STYLES -01 & -02)(FOR STYLES  
-03 THRU -09, SEE TABLE 4 &  
FIG 4, SHEET 3)
- LC: LOCKING CLIPS (SEE NOTE 8)  
(USE LC-08-TM-01)
- K: POLYIMIDE FILM  
(USE K-DOT-.276-.375-.005, SEE FIG 2)  
(AVAILABLE ON STYLES -01  
THRU -04 & -09 ONLY)
- TR: TAPE & REEL (120 POS MAX)  
[N/A ON -05 THRU -06]

**ROW SPECIFICATION**

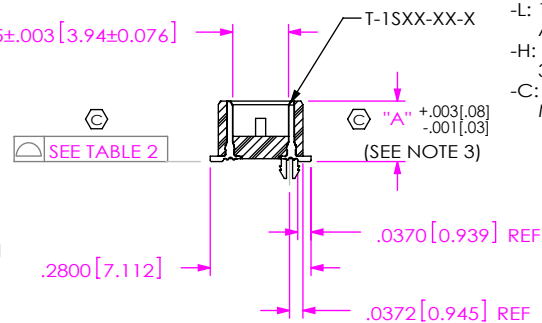
- D: DOUBLE (USE BTH-XXX-XX-D  
& BTHH-XXX-XX-D)

**PLATING SPECIFICATION**

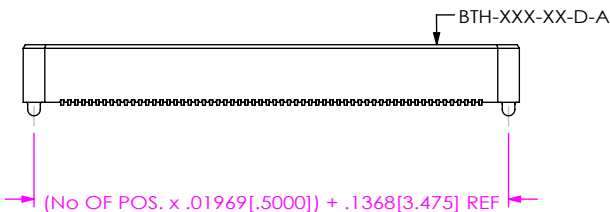
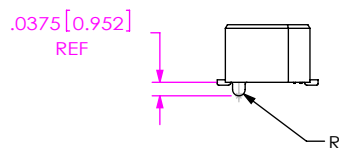
- F: 3µ" SELECTIVE GOLD IN CONTACT  
AREA, MATTE TIN ON TAIL
- L: 10µ" SELECTIVE GOLD IN CONTACT  
AREA, MATTE TIN ON TAIL
- H: 30µ" GOLD IN CONTACT AREA,  
3µ" GOLD ON TAIL
- C: 50µ" GOLD IN CONTACT AREA,  
MATTE TIN ON TAIL



-LC: LOCKING CLIP OPTION SHOWN



SECTION "A"- "A"



-A: ALIGNMENT PIN OPTION SHOWN

**NOTES:**

1. Ⓢ REPRESENTS A CRITICAL DIMENSION.
2. MINIMUM PUSHOUT FORCE: 6 OZ. FOR STYLES -01 & -02  
8 OZ. FOR STYLES -03 THRU -09
3. MAXIMUM VARIANCE: .002[.05].
4. LEAD STYLES -03 THRU -09: TOP BODY (BTH)  
CANNOT HAVE -A OPTION.
5. -L PLATING CAN BE SUBSTITUTED FOR -F PLATING.
6. NOTE DELETED.
7. FOR NEW APPLICATIONS REQUIRING THESE POSITIONS, PLEASE  
CONTACT SAMTEC INTERCONNECT PROCESSING GROUP.
8. DUE TO THE HIGH AMOUNT OF INSERTION FORCE NEEDED, THE  
-LC OPTION IS NOT COMPATIBLE WITH AUTO PLACEMENT.  
SAMTEC RECOMMENDS MANUAL PLACEMENT FOR ALL  
ASSEMBLIES WITH THE -LC OPTION.
9. PIN CAN EXTEND PAST THE WALL: .003[.08].
10. FEATURE PRESENT ONLY ON -01 LEAD STYLE.
11. GATE PAD PRESENT ON BTH-XXX-02-D-X ONLY.

NO. OF POSITIONS	COPLANARITY
-030 THRU -090	.004[.10]
-120 THRU -150	.006[.15]

STYLE	"A"	"B"	BODY	TERMINAL	MATED HEIGHT WITH BSH
-01	.1680[4.267]	.1600[4.064]	BTH-XXX-01-D(-A)	T-1S39-01-X	.1969[5.001] REF
-02	.2861[7.267]	.2781[7.064]	BTH-XXX-02-D(-A)	T-1S59-02-X	.3150[8.001] REF

UNLESS OTHERWISE SPECIFIED,  
 DIMENSIONS ARE IN INCHES.  
 TOLERANCES ARE:  
 DECIMALS ANGLES  
 .XX: ±.01[.3]  
 .XXX: ±.005[.13]  
 .XXXX: ±.0020[.051]

**PROPRIETARY NOTE**  
 THIS DOCUMENT CONTAINS CONFIDENTIAL AND  
 PROPRIETARY INFORMATION AND ALL DESIGN,  
 MANUFACTURING, REPRODUCTION, USE, PATENT RIGHTS  
 AND SALES RIGHTS ARE EXPRESSLY RESERVED BY SAMTEC,  
 INC. THIS DOCUMENT SHALL NOT BE DISCLOSED, IN WHOLE  
 OR PART, TO ANY UNAUTHORIZED PERSON OR ENTITY NOR  
 REPRODUCED, TRANSFERRED OR INCORPORATED IN ANY  
 OTHER PROJECT IN ANY MANNER WITHOUT THE EXPRESS  
 WRITTEN CONSENT OF SAMTEC, INC.



520 PARK EAST BLVD, NEW ALBANY, IN 47150  
 PHONE: 812-944-6733 FAX: 812-948-5047  
 e-Mail: info@SAMTEC.com code: 53322

**MATERIAL:** DO NOT SCALE DRAWING SHEET SCALE: 1:0.533333 DESCRIPTION:  
 INSULATOR: BLACK LCP  
 FLAMMABILITY RATING: UL 94V-0  
 .5mm DOUBLE ROW TERMINAL ASSEMBLY  
 DWG. NO. BTH-XXX-XX-X-D-XX  
 TERMINAL: PHOS BRONZE  
 BY: DEAN P 5/28/1999 SHEET 1 OF 3  
 F:\DWG\MISC\MKTG\BTH-XXX-XX-X-D-XX-MKT.SLDDRW

FIG 2  
-K: POLYIMIDE FILM PAD OPTION

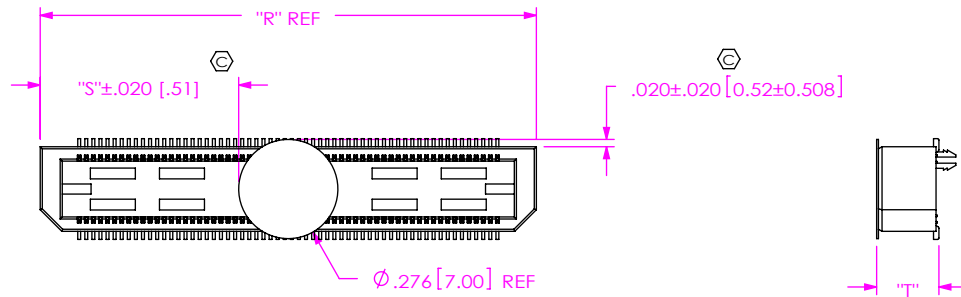


TABLE 3	
STYLE	"T"
-01	.173[4.39]
-02	.291[7.39]
-03	.409[10.39]
-04	.605[15.37]
-09	.527[13.39]

NOTE: "R" = (No OF POSITIONS x .01969[.5000]) + .1968[5.000]  
 "S" = (("R" - .276[7.01]) / 2) ±.020[.51]

PACKAGING VIEW (PARTS TO HAVE POSITIOIN #01 LOADED IN SAME DIRECTION AS ARROW)			
[STYLES -01 & -02]	[STYLES -03, -04, & -09]	[STYLE -05]	[STYLE -06]
TUBE: PT-1-24-01-78 PLUG: TP-03	TUBE: PT-1-24-01-98 PLUG: TP-26	TUBE: PT-1-24-02-105 PLUG: TP-26	TUBE: PT-1-24-01-105 PLUG: TP-26

F:\DWG\MISC\MKTG\BTH-XXX-XX-X-D-XX-MKT.SLDDRW

**PROPRIETARY NOTE**  
 THIS DOCUMENT CONTAINS CONFIDENTIAL AND PROPRIETARY INFORMATION AND ALL DESIGN, MANUFACTURING, REPRODUCTION, USE, PATENT RIGHTS AND SALES RIGHTS ARE EXPRESSLY RESERVED BY SAMTEC, INC. THIS DOCUMENT SHALL NOT BE DISCLOSED, IN WHOLE OR PART, TO ANY UNAUTHORIZED PERSON OR ENTITY NOR REPRODUCED, TRANSFERRED OR INCORPORATED IN ANY OTHER PROJECT IN ANY MANNER WITHOUT THE EXPRESS WRITTEN CONSENT OF SAMTEC, INC.

DO NOT SCALE DRAWING

SHEET SCALE: 1.875:1



520 PARK EAST BLVD, NEW ALBANY, IN 47150  
 PHONE: 812-944-6733 FAX: 812-948-5047  
 e-Mail: info@SAMTEC.com code: 55322

DESCRIPTION:  
 .5mm DOUBLE ROW TERMINAL ASSEMBLY

DWG. NO.  
**BTH-XXX-XX-X-D-XX**

BY: DEAN P 5/28/1999 SHEET 2 OF 3



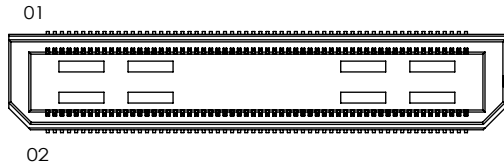


TABLE 4							
STYLE	SEE FIGURE	"C" OVERALL HEIGHT	TERMINAL	TOP BODY (SEE NOTE 4)	BOTTOM SPACER BODY (-LC OR NONE)	BOTTOM SPACER BODY (-A)	MATED HEIGHT WITH BSH-01
-03	3	.4042 [10.267]	T-1S60-03-X	BTH-XXX-02-D	BTHH-XXX-01-D	BTHH-XXX-01-D-A	.433 [11.00] REF
-04	3	.6000 [15.240]	T-1S60-04-X	BTH-XXX-02-D	BTHH-XXX-01-D	BTHH-XXX-01-D-A	.630 [16.00] REF
-05	4	.7180 [18.237]	T-1S60-05-X	BTH-XXX-02-D	BTHH-XXX-03-D	BTHH-XXX-03-D-A	.748 [19.00] REF
-06	4	.8360 [21.234]	T-1S60-06-X	BTH-XXX-02-D	BTHH-XXX-03-D	BTHH-XXX-03-D-A	.866 [22.00] REF
-09	3	.5224 [13.269]	T-1S60-09-X	BTH-XXX-02-D	BTHH-XXX-01-D	BTHH-XXX-01-D-A	.551 [14.00] REF

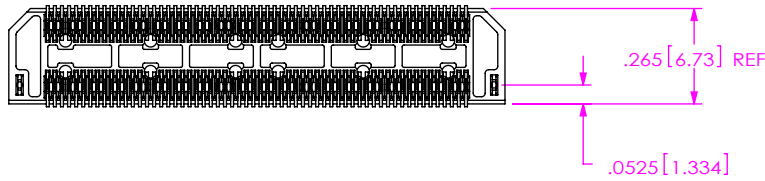
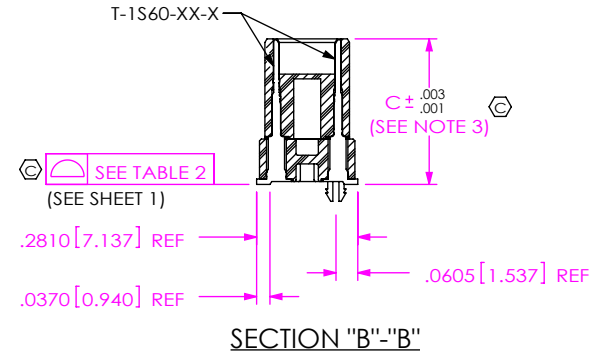
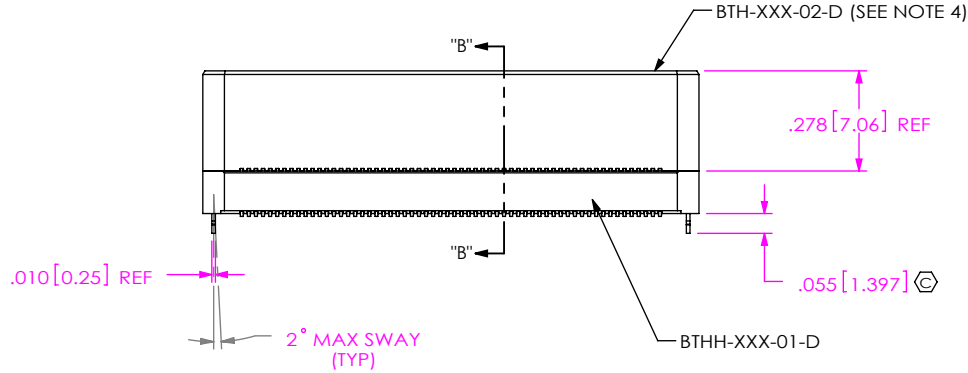


FIG 3  
BTH-060-03-X-D-LC SHOWN (STYLES -03, -04, & -09)  
(DIFFERENT AS SHOWN, OTHERWISE SAME AS FIG 1)

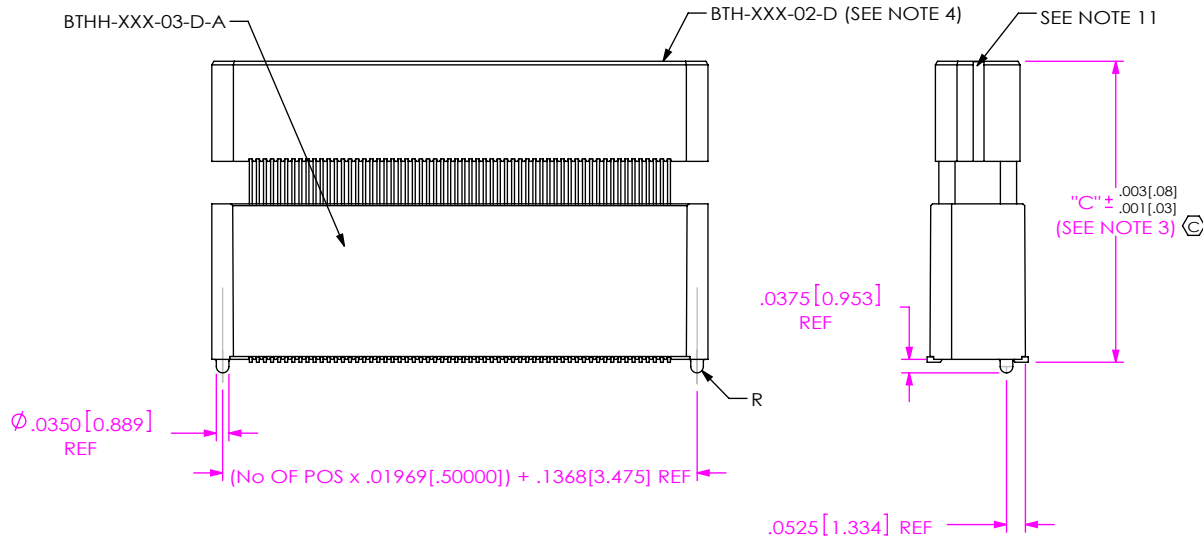


FIG 4  
-A: ALIGNMENT PIN OPTION  
BTH-060-06-X-D-A SHOWN (STYLES -05 & -06)  
(DIFFERENT AS SHOWN, OTHERWISE SAME AS FIG 1)

F:\DWG\MISC\MKTG\BTH-XXX-XX-X-D-XX-MKT.SLDDRW

**PROPRIETARY NOTE**  
THIS DOCUMENT CONTAINS CONFIDENTIAL AND PROPRIETARY INFORMATION AND ALL DESIGN, MANUFACTURING, REPRODUCTION, USE, PATENT RIGHTS AND SALES RIGHTS ARE EXPRESSLY RESERVED BY SAMTEC, INC. THIS DOCUMENT SHALL NOT BE DISCLOSED, IN WHOLE OR PART, TO ANY UNAUTHORIZED PERSON OR ENTITY NOR REPRODUCED, TRANSFERRED OR INCORPORATED IN ANY OTHER PROJECT IN ANY MANNER WITHOUT THE EXPRESS WRITTEN CONSENT OF SAMTEC, INC.

DO NOT SCALE DRAWING  
SHEET SCALE: 1:0.533333



520 PARK EAST BLVD, NEW ALBANY, IN 47150  
PHONE: 812-944-6733 FAX: 812-948-5047  
e-Mail: info@SAMTEC.com code: 55322

DESCRIPTION:  
.5mm DOUBLE ROW TERMINAL ASSEMBLY  
DWG. NO.  
**BTH-XXX-XX-X-D-XX**  
BY: DEAN P 5/28/1999 SHEET 3 OF 3