



Chipsmall Limited consists of a professional team with an average of over 10 year of expertise in the distribution of electronic components. Based in Hongkong, we have already established firm and mutual-benefit business relationships with customers from,Europe,America and south Asia,supplying obsolete and hard-to-find components to meet their specific needs.

With the principle of “Quality Parts,Customers Priority,Honest Operation,and Considerate Service”,our business mainly focus on the distribution of electronic components. Line cards we deal with include Microchip,ALPS,ROHM,Xilinx,Pulse,ON,Everlight and Freescale. Main products comprise IC,Modules,Potentiometer,IC Socket,Relay,Connector.Our parts cover such applications as commercial,industrial, and automotives areas.

We are looking forward to setting up business relationship with you and hope to provide you with the best service and solution. Let us make a better world for our industry!



## Contact us

Tel: +86-755-8981 8866 Fax: +86-755-8427 6832

Email & Skype: info@chipsmall.com Web: www.chipsmall.com

Address: A1208, Overseas Decoration Building, #122 Zhenhua RD., Futian, Shenzhen, China





MD (Soft Actuator)    MDP (Hard Actuator)

## Features/Benefits

- Short travel
- Good tactile feedback
- Self cleaning
- ROHS
- **2 actuator material**

## Typical Applications

- Aircraft
- Instrument
- Panels
- Radio equipment

## Specification

Function : Momentary action  
 Contact type : Normally Open - SPST  
 Terminals : Through hole PCB terminations

## Mechanical

	Operating force (N)	Tactile feeling ( $\Delta\%$ )	Operating life	Travel (mm)
<b>MD</b>	2,4 N $\pm$ 25%	$\geq$ 15%	$\geq$ 10 <sup>6</sup>	0.95 mm $\pm$ 0.35
<b>MDP</b>	2,6 N $\pm$ 25%	$\geq$ 25%	$\geq$ 2x10 <sup>5</sup>	0.4 mm $\pm$ 0.25

## Electrical

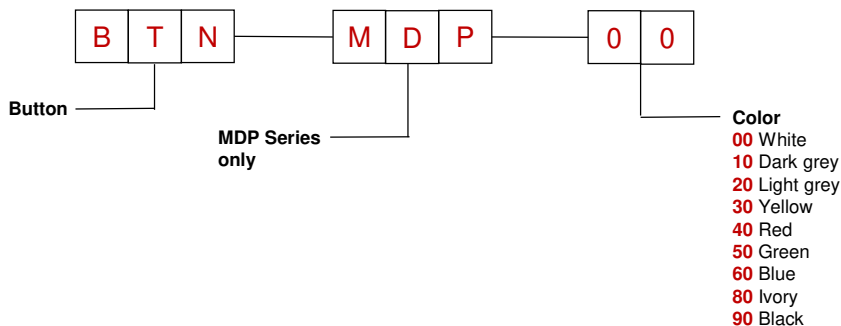
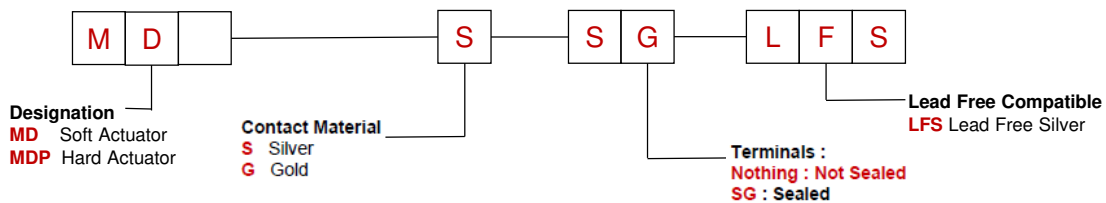
	Silver	Gold
Maximum power:	1,0 VA	0,2 VA
Maximum voltage:	100 Vdc	100 Vdc
Minimum voltage:	20 mVdc	20 mVdc
Min/max current:	1.0 mA – 100 mA	50 $\mu$ A – 50 mA
Dielectric strength:	$\geq$ 250 Vrms	
Contact resistance:	$\leq$ 100 m $\Omega$	
Insulation resistance: (between terminals)	Initial measurement: $\geq$ 1 G $\Omega$ After damp heat : $\geq$ 10 M $\Omega$	
Bounce time:	$\leq$ 3ms	

## Environmental

	Silver	Gold
Operating temperature	- 25°C / + 70°C	- 55°C / + 85°C

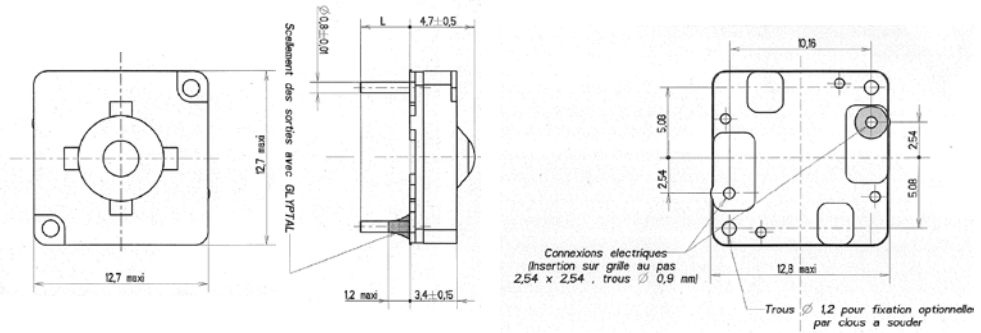
## Part Number Description

For any part number different from those listed below, please consult your local representative

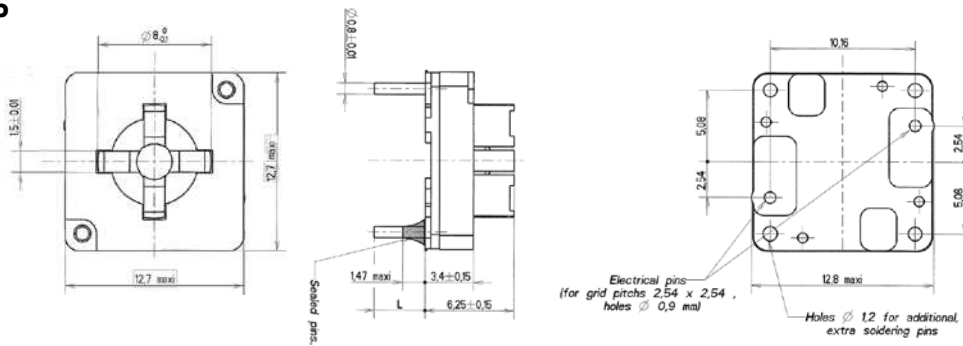


Dimensions shown in mm (inch)  
 Specifications and dimensions subject to change

## MD



## MDP



## Bouton MDP

