



Chipsmall Limited consists of a professional team with an average of over 10 year of expertise in the distribution of electronic components. Based in Hongkong, we have already established firm and mutual-benefit business relationships with customers from,Europe,America and south Asia,supplying obsolete and hard-to-find components to meet their specific needs.

With the principle of "Quality Parts,Customers Priority,Honest Operation,and Considerate Service",our business mainly focus on the distribution of electronic components. Line cards we deal with include Microchip,ALPS,ROHM,Xilinx,Pulse,ON,Everlight and Freescale. Main products comprise IC,Modules,Potentiometer,IC Socket,Relay,Connector.Our parts cover such applications as commercial,industrial, and automotives areas.

We are looking forward to setting up business relationship with you and hope to provide you with the best service and solution. Let us make a better world for our industry!



## Contact us

Tel: +86-755-8981 8866 Fax: +86-755-8427 6832

Email & Skype: info@chipsmall.com Web: www.chipsmall.com

Address: A1208, Overseas Decoration Building, #122 Zhenhua RD., Futian, Shenzhen, China



# D6 SPST Momentary Key Switches

## Features/Benefits

- Easy X, Y coding on single side PCB
- Positive tactile feedback
- High temperature
- Wide variety of colors & styles
- RoHS compliant and compatible

## Typical Applications

- Video
- Electronic games
- Appliances



## Construction

FUNCTION: momentary  
 CONTACT ARRANGEMENT: 1 make contact (SPST), NO  
 DISTANCE BETWEEN BUTTON CENTERS, MIN.: 12,7 (0.500)  
 TERMINALS: PC pins

## Electrical

SWITCHING POWER MAX.: 3 VA  
 SWITCHING VOLTAGE MAX.: 32 V DC  
 SWITCHING CURRENT MAX.: 100 mA DC  
 DIELECTRIC STRENGTH (50 Hz / 1 min): 250 V  
 OPERATING LIFE with max. switching power: (2,5x10<sup>5</sup> operations)  
 CONTACT RESISTANCE: ≤100 mΩ  
 INSULATION RESISTANCE: ≥10<sup>8</sup> Ω  
 BOUNCE TIME: ≤10 ms

## Packaging

The D6 switches are delivered in boxes containing 10 trays with 250 pieces each: Total 2,500 pieces per box.  
 The D6 buttons are delivered in bulk with 2500 pieces per box.

## Mechanical

SWITCHING TRAVEL:  
 Version F1: 0.2mm ≤ Te ≤ 1.0 mm  
 Version F2: 0.3mm ≤ Te ≤ 1.1 mm  
 OPERATING FORCE:  
 Version F1: 0.8N ≤ Fa ≤ 1.8N  
 Version F2: 2.0N ≤ Fa ≤ 3.5N

## Environmental

OPERATING TEMPERATURE: -20°C to 85°C.

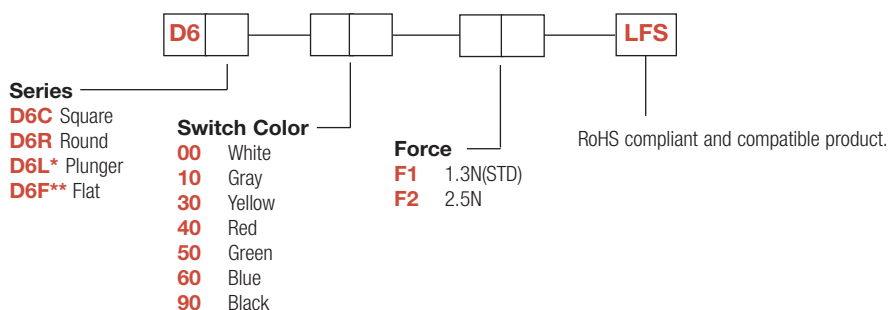
## Process

SOLDERABILITY:  
 Wave soldering, compatible with lead free soldering profile  
 Hand soldering, 350°C for 3 seconds

## How To Order

Our easy build-a-switch concept allows you to mix and match options to create the switch you need. To order, select desired option from each category and place it in the appropriate box.

### Switch



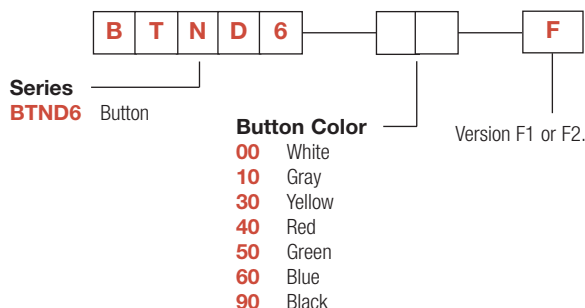
\*Available only in color 90 (black).

\*\* Available only in color 90 (black) and 00 (white).

### Button

Buttons can be ordered separately.  
 Shipped in bulk.

D6 button for use with D6C only.

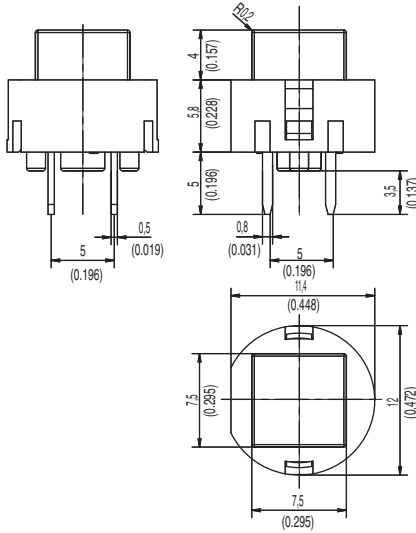


Dimensions are shown: mm  
 Specifications and dimensions subject to change

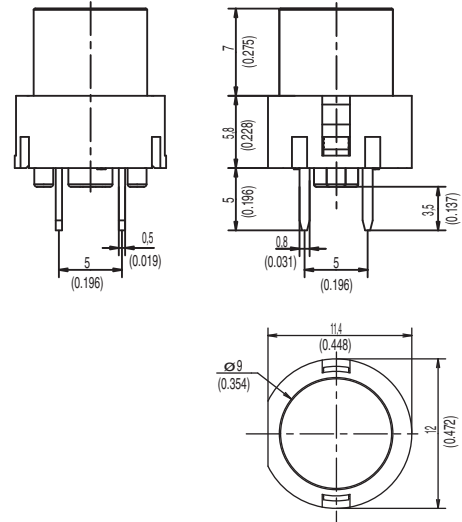
# D6 SPST Momentary Key Switches

SERIES 

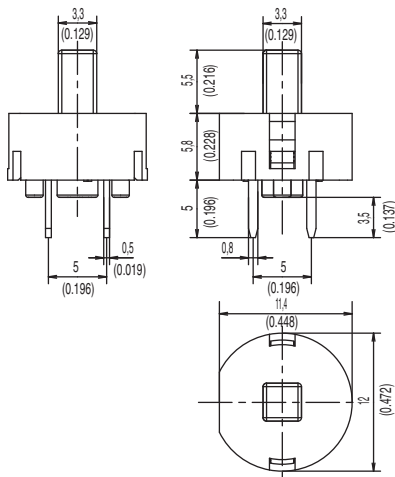
**D6C**



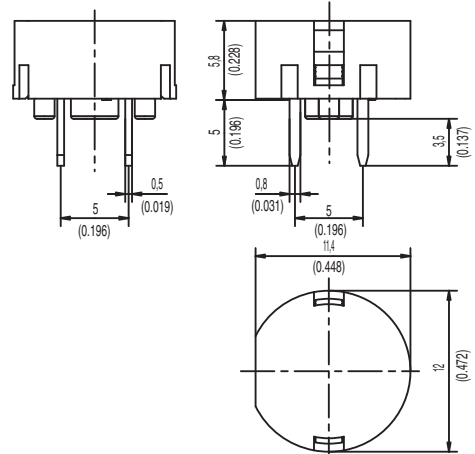
**D6R**



**D6L ONLY AVAILABLE IN BLACK**

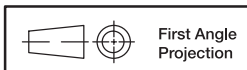


**D6F**



D

Key Switches



First Angle  
Projection

Dimensions are shown: mm  
Specifications and dimensions subject to change

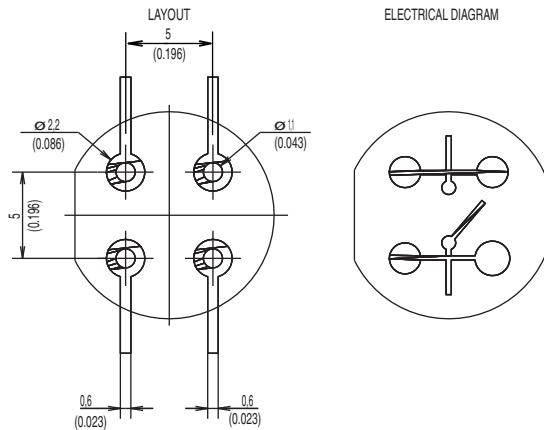


# D6 SPST Momentary Key Switches

## SWITCH COLORS

OPTION CODE	SWITCH COLOR
00	WHITE
10	GRAY
30	YELLOW
40	RED
50	GREEN
60	BLUE
90	BLACK

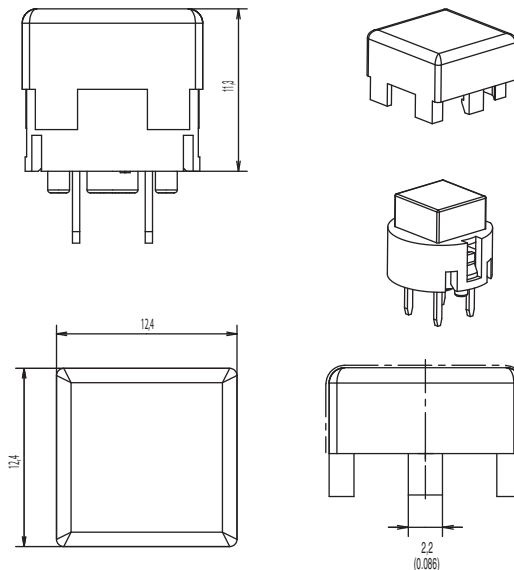
## PCB LAYOUT



## BUTTON AVAILABLE

**BTND6** Buttons must be ordered separately. Shipped in bulk.

**NOTE:** Only compatible with D6C.



OPTION CODE	BUTTON COLOR
00	WHITE
10	GRAY
30	YELLOW
40	RED
50	GREEN
60	BLUE
90	BLACK



Dimensions are shown: mm  
Specifications and dimensions subject to change



D

Key Switches