



Chipsmall Limited consists of a professional team with an average of over 10 year of expertise in the distribution of electronic components. Based in Hongkong, we have already established firm and mutual-benefit business relationships with customers from,Europe,America and south Asia,supplying obsolete and hard-to-find components to meet their specific needs.

With the principle of “Quality Parts,Customers Priority,Honest Operation,and Considerate Service”,our business mainly focus on the distribution of electronic components. Line cards we deal with include Microchip,ALPS,ROHM,Xilinx,Pulse,ON,Everlight and Freescale. Main products comprise IC,Modules,Potentiometer,IC Socket,Relay,Connector.Our parts cover such applications as commercial,industrial, and automotives areas.

We are looking forward to setting up business relationship with you and hope to provide you with the best service and solution. Let us make a better world for our industry!



Contact us

Tel: +86-755-8981 8866 Fax: +86-755-8427 6832

Email & Skype: info@chipsmall.com Web: www.chipsmall.com

Address: A1208, Overseas Decoration Building, #122 Zhenhua RD., Futian, Shenzhen, China



KSB & KSF Series Low-profile Tact Switch



Features/Benefits

- Low profile
- Protected against flux
- KSB without top sealing
- KSF with top sealing

Typical Applications

- Low profile keyboards
- Instrumentation
- Industrial control
- Medical
- Military

Specification

CONTACT ARRANGEMENT: SPST, N.O.
DOUBLE OVERMOLDING ON TERMINAL
MEMBRANE SEALING
TERMINALS: PC pins

Mechanical

Type	Actuation force Newtons (grams)	Operating life (operations)	Travel to make
KSB0M110	1.6 (160)	100,000	0,15 ± 0,05
KSB0M410	3.0 (300)	500,000	0,15 ± 0,05
KSF0M210	1.3 (130)	1,000,000	0,25 ± 0,1/-0,0
KSF0M310	1.6 (160)	500,000	0,25 ± 0,1/-0,0
KSF0M410	3.0 (300)	100,000	0,3+0,1/-0,0
KSF0M510	5.0 (500)	100,000	0,3+0,1/-0,0
KSF0M910	3.0 (300)	500,000	0,3+0,1/-0,0

Electrical

MAXIMUM POWER:	Silver 1 VA	Gold 0.2 VA
MAXIMUM VOLTAGE:	50 VDC	50 VDC
MINIMUM VOLTAGE:	20 mV	20 mV
MAXIMUM CURRENT:	50 mA	10 mA
MINIMUM CURRENT:	1 mA	1 mA

DIELECTRIC STRENGTH (50 Hz, 1 min.): 300 Vrms
CONTACT RESISTANCE: KSF 50 mΩ; KSB 100 mΩ
INSULATION RESISTANCE (100 V): ≤ 10¹¹ Ω
BOUNCE TIME: 1 ms

Environmental

OPERATING TEMPERATURE:	Silver -40°C to 90°C	Gold -40°C to 125°C
STORAGE TEMPERATURE:	-40°C to 85°C	-55°C to 125°C

Process

Wave soldering EIA-RS448-2

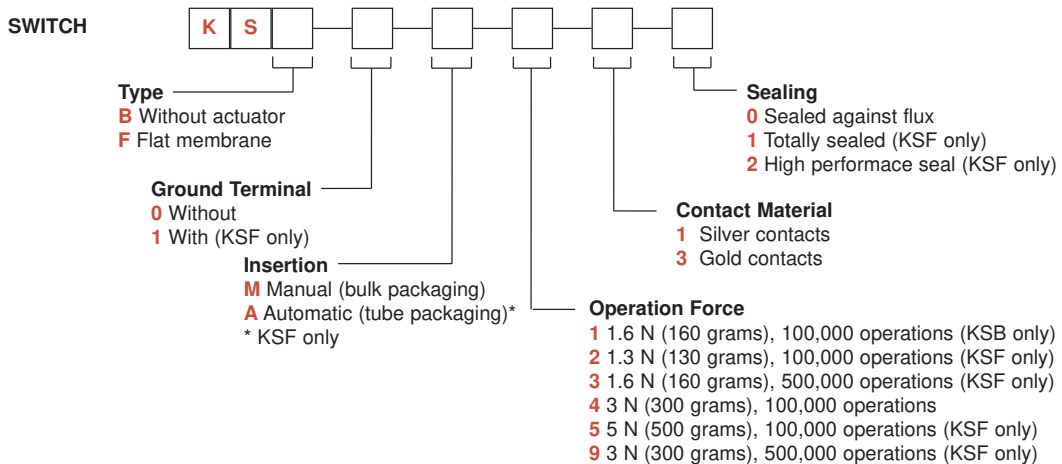
Packaging

KSF delivered in tubes of 65 pieces for automatic insertion. KSB in boxes of 500 pieces for manual insertion.

NOTE: Part numbers listed above do not represent all possible configurations. For information on specific and custom switches, consult Customer Service Center.

How To Order

Our easy build-a-switch concept allows you to mix and match options to create the switch you need. To order, select desired option from each category and place it in the appropriate box.



BUTTON



Button Style

- K10** 10 mm square (for KSF only)

Button Color

- 10** Dark gray
- 20** Light gray
- 30** Yellow
- 40** Red
- 50** Green
- 60** Blue
- 70** Gray-blue
- 80** Ivory
- 90** Black

Button must be ordered separately and will be supplied in bulk.

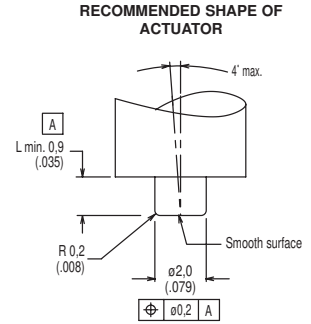
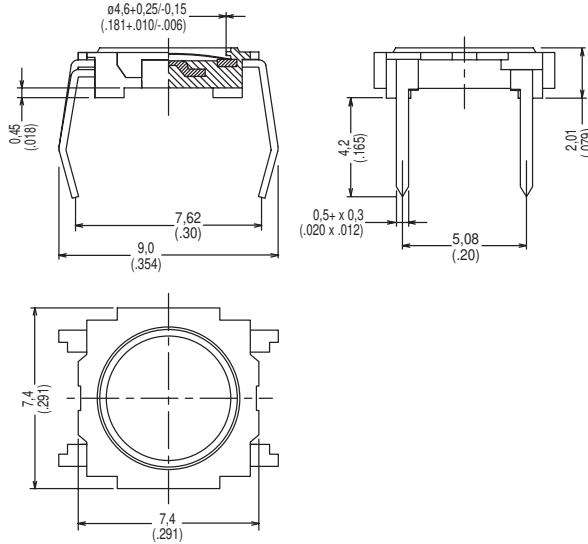
KSB & KSF Series Low-profile Tact Switch

TYPE

KSB



KSB0M110



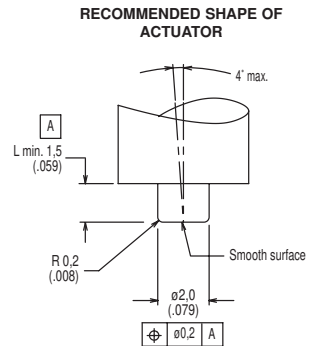
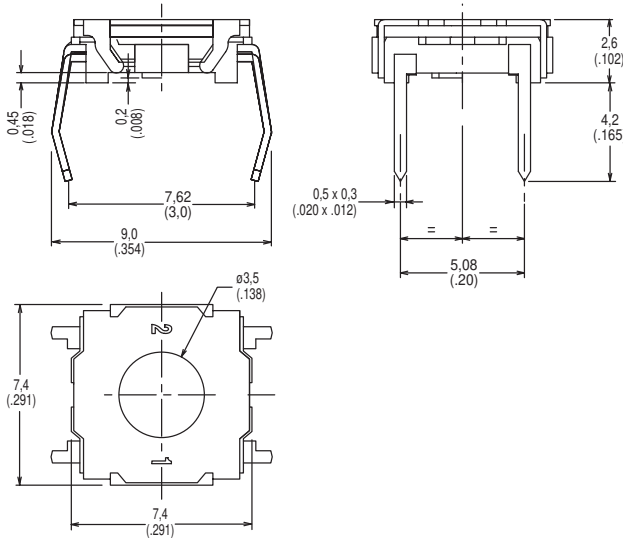
B

Tactile Switches

KSF



KSF0M111



GROUND TERMINAL

0 WITHOUT

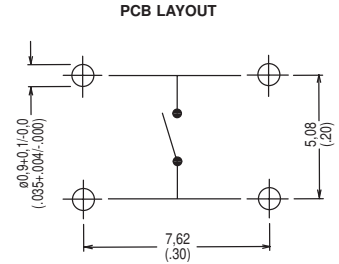
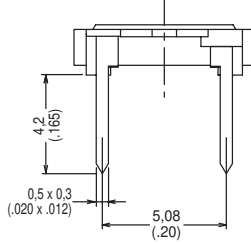
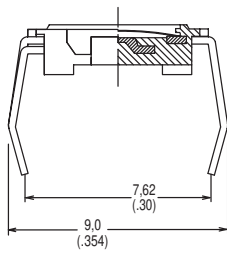
1 WITH (KSF only)

KSB & KSF Series Low-profile Tact Switch

INSERTION

M MANUAL (bulk packaging)

A AUTOMATIC (KSF ONLY) (Tube packaging, 65 per tube)



OPERATING FORCE

OPTION CODE	OPERATING FORCE
1	1.6 N (160 grams) 100,000 operations (KSB only)
2	1.3 N (130 grams) 100,000 operations (KSF only)
3	1.6 N (160 grams) 500,000 operations (KSF only)
4	3 N (300 grams) 100,000 operations
5	1.6 N (160 grams) 500,000 operations (KSF only)
9	3 N (300 grams) 500,000 operations (KSF only)

CONTACT MATERIAL

OPTION CODE	CONTACT MATERIAL
1	Silver contacts
3	Gold contacts

SEALING

OPTION CODE	SEALING
0	Sealed against flux
1	Totally sealed (KSF only)
2	High performance seal (KSF only)



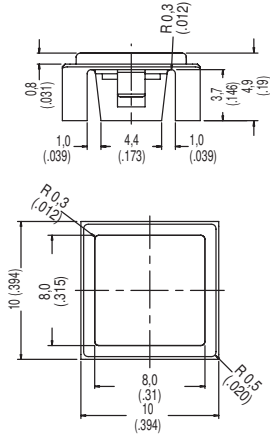
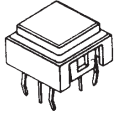
Dimensions are shown: mm (inch)
Dimensions subject to change

KSB & KSF Series Low-profile Tact Switch

BUTTON

K10 button for KSF ONLY

Button must be ordered separately and will be supplied in bulk.



Tactile Switches

B